

THIS DRAWING IS UNPUBLISHED.

RELEASED FOR PUBLICATION

ALL RIGHTS RESERVED.

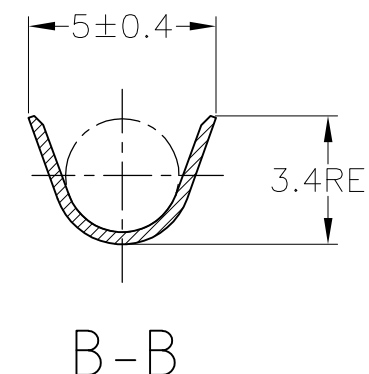
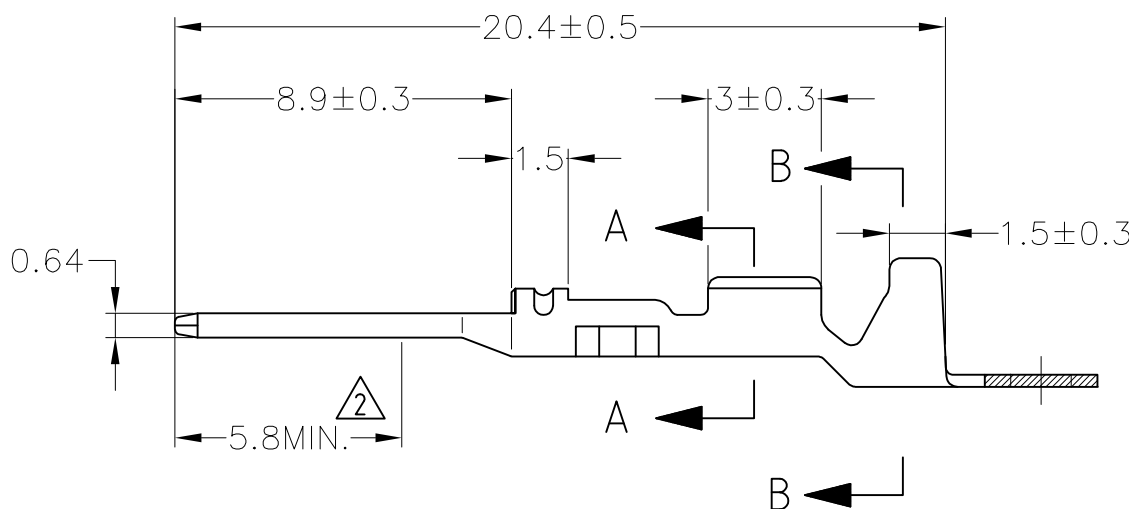
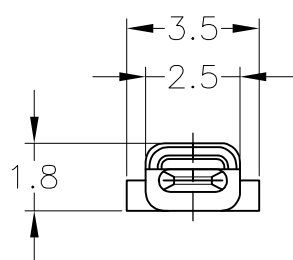
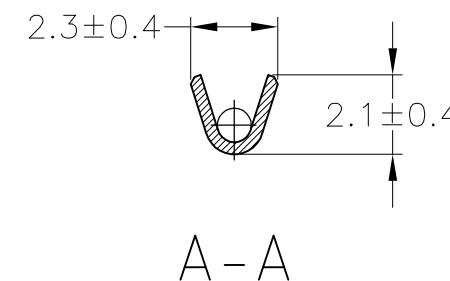
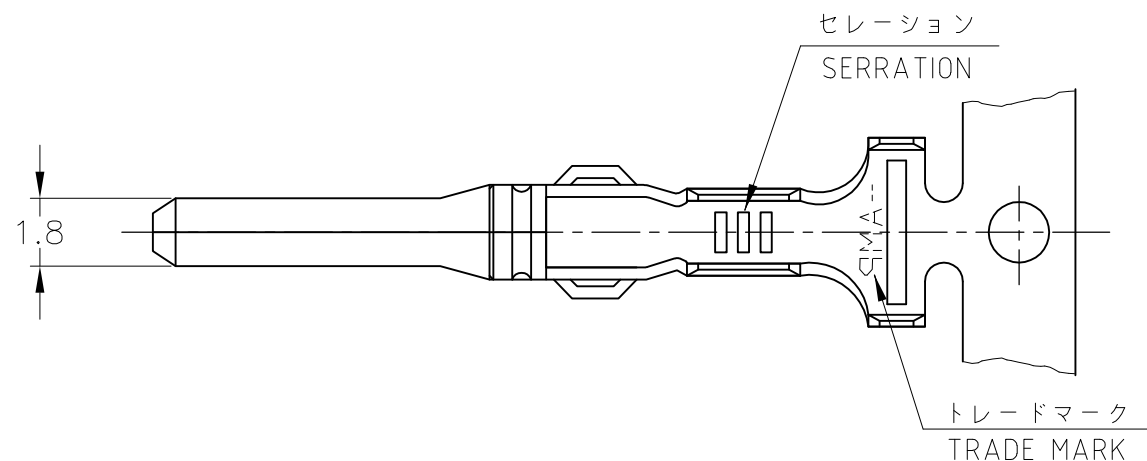
© COPYRIGHT - By -

LOC J

DIST -

REVISIONS

| P | LTR | DESCRIPTION | DATE | DWN | APVD |
|---|-----|---------------------------|---------|-----|------|
| | C1 | REVISED PER ECO-11-005140 | 31MAR11 | RK | HMR |



1. 嵌合相手端子型番 : 171630
 △部分金めっき

1. RECEPTACLE CONTACT : 171630
 △SELECTIVE GOLD PLATING

| | | | |
|------------------------------------|--------------------|----------|----------------|
| △ SELECTIVE GOLD PLATING 部分金めっき | BRASS 黄銅 板厚0.32 | 171631-2 | 2 |
| PRE-TIN (0.76μm MIN.) 錫めっき済 | BRASS 黄銅 板厚0.32 | 171631-1 | 1 |
| FINISH 仕上 | MATERIAL 材料 | PN 型番 | ITEM No. 項番 |

WIRE RANGE
抱合電線断面積 AV,AVS
0.2-0.5mm² (AWG #24-#20)

INSULATION DIA
被覆外径 1.4-2.4

THIS DRAWING IS A CONTROLLED DOCUMENT.

| DIMENSIONS: 単位: 耗 mm | TOLERANCES UNLESS OTHERWISE SPECIFIED: 一般公差 |
|----------------------------|---|
| | 0 PLC ±- |
| | 1 PLC ±- |
| | 2 PLC ±- |
| | 3 PLC ±- |
| | 4 PLC ±- |
| ANGLES ±- | ±- |

MATERIAL
材料
SEE TABLE
表参照

FINISH
仕上
SEE TABLE
表参照

| 一般公差 (GENERAL TOLERANCE) | |
|-----------------------------|-------|
| 10以下 | ±0.2 |
| 10を超え 30以下 | ±0.25 |
| 30を超え 100以下 | ±0.3 |
| 角度 | ±3° |

| | |
|----------------------------|----------|
| DWN T.SHINOHARA | 27JUN01 |
| CHK K.BETSUI | 27JUN01 |
| APVD K.BETSUI | 27JUN01 |
| PRODUCT SPEC 製品規格 | - |
| APPLICATION SPEC 取付適用規格 | 114-5082 |
| WEIGHT | 0.35 g |

| | | | | |
|-----------------|-----------|--|---|---------------|
| TE Connectivity | | NAME 名称 | | RESTRICTED TO |
| | | ECONOSEAL J-MARKII+ CONNECTOR TAB CONTACT | | |
| SIZE | CAGE CODE | DRAWING NO 番号 | - | |
| A3 | 00779 | C-171631 | - | |

CUSTOMER DRAWING SCALE 5:1 SHEET 1 OF 1 REV C1

单击下面可查看定价，库存，交付和生命周期等信息

[>>TE Connectivity\(泰科\)](#)