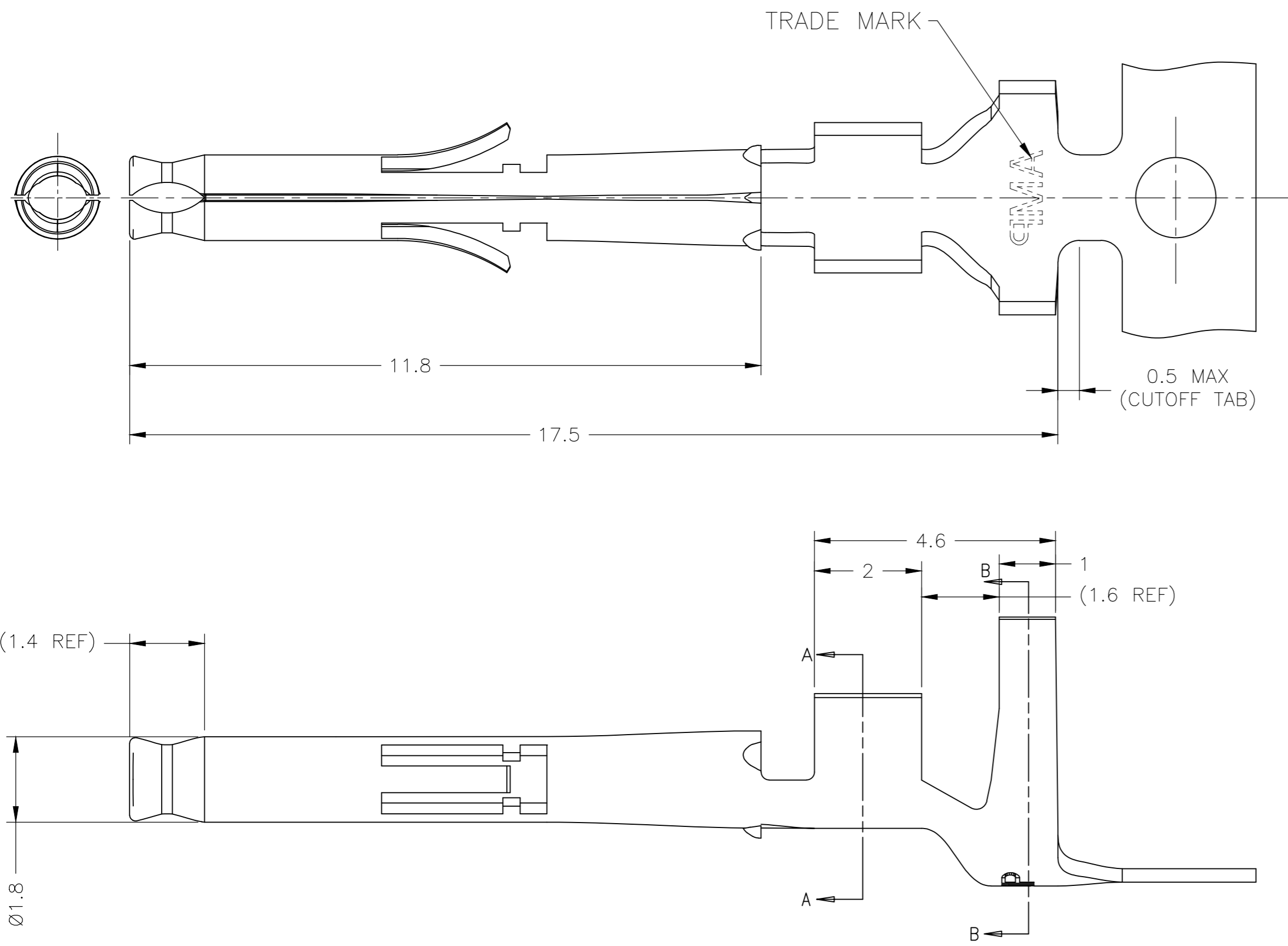
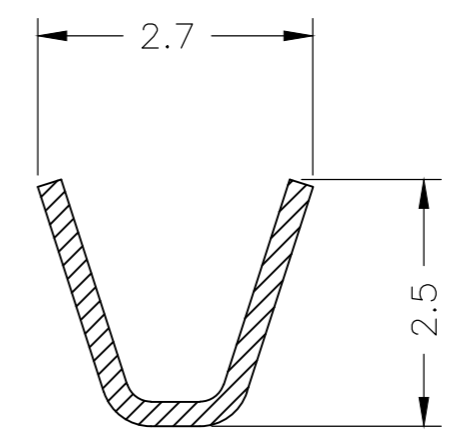


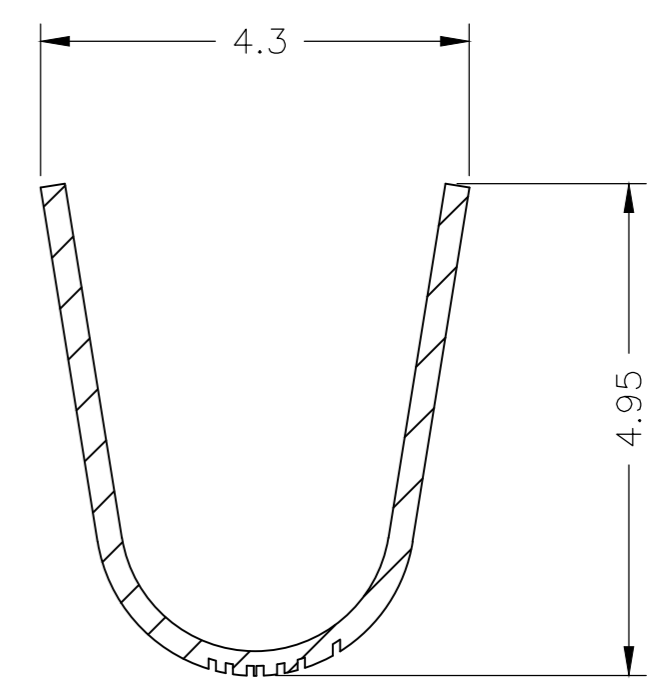
REVISIONS					
P	LTR	DESCRIPTION	DATE	DWN	APVD
C3		REVISED PER ECR-19-008810	05JUL2019	BDA	SW



- 1 PRODUCT SPECIFICATION 108-5151, 108-5138
APPLICATION SPECIFICATION 114-5050
- 2 APPLICABLE WIRE FOR TWO-WIRE CRIMP
20 AWG (VSF INSULATION Ø2.4) X 2
- 3 NOTE DELETED
- 4 OBSOLETE



SECTION A-A



SECTION B-B

WIRE RANGE: 0.5-1.3 mm ² , 20-16 AWG		GOLD PLATED BRASS (0.252)		171637-3-4	
INSULATION DIA : 2.0-3.2 2.4X2mm		PRE TINNED BRASS (0.252)		171637-1	
THIS DRAWING IS A CONTROLLED DOCUMENT.		LOOSE PIECE		FINISH-MATERIAL	
DIMENSIONS: mm		TOLERANCES UNLESS OTHERWISE SPECIFIED:		MATERIAL	
0 PLC ± - 1 PLC ± 0.3 2 PLC ± - 3 PLC ± - 4 PLC ± - ANGLES ± 1°		FINISH		SEE TABLE	
MATERIAL		WEIGHT		CUSTOMER DRAWING	
DWN BASAVARAJA D A 05JUL2019		CHK WRIGHT SCOTT 05JUL2019		APVD WRIGHT SCOTT 05JUL2019	
NAME		SIZE		CAGE CODE	
SOCKET CONTACT (MINI UNIVERSAL M-N-L)		A2		00779	
DRAWING NO		SCALE		SHEET	
171637		1:1		1 of 1	
RESTRICTED TO		REV		C3	

单击下面可查看定价，库存，交付和生命周期等信息

[>>TE Connectivity\(泰科\)](#)