

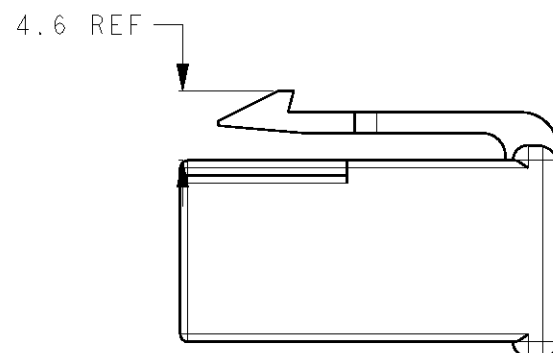
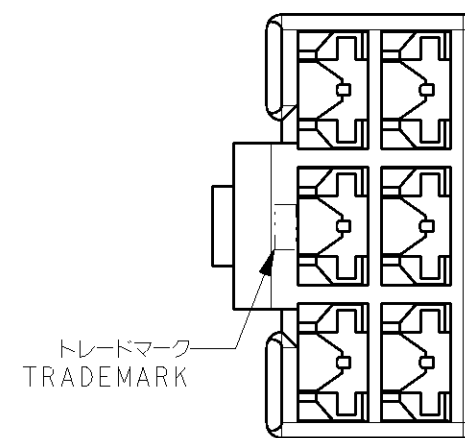
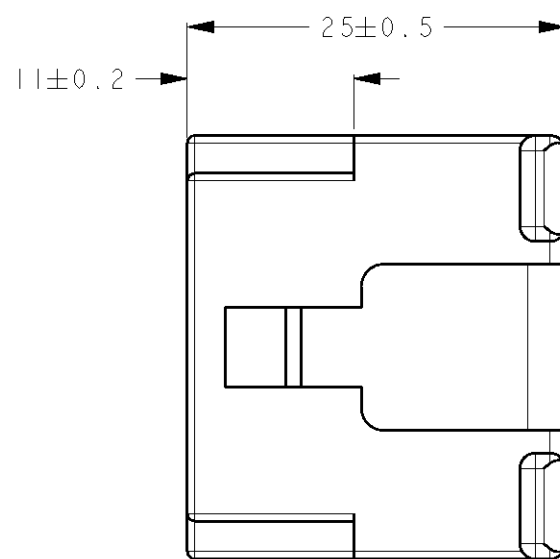
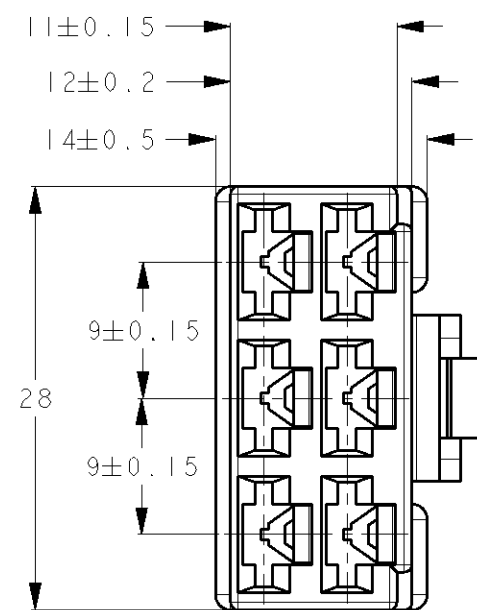
THIS DRAWING IS UNPUBLISHED.

RELEASED FOR PUBLICATION

© COPYRIGHT

ALL INTERNATIONAL RIGHTS RESERVED.

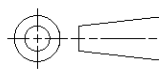

LOC J	DIST -	REVISIONS 変更			DATE	DWN	APVD
P	LTR	DESCRIPTION					
	F1	REVISED PER ECO-11-005030		14APR11	RK	HMR	



- 1 嵌合相手ハウジング型番: 171897-□
- 2 適合端子型番: 170342-□, 170343-□, 170350-□
- 3 本品の材料はUL94難燃グレードV-0

- 1 MATING CAP HOUSING P/N: 171897-□
- 2 APPLIED CONTACT P/N: 170342-□, 170343-□, 170350-□
- 3 THIS ITEM IS MADE FROM MATERIAL RATED UL94 FLAME RETARDANCE V-0

自然色 NATURAL	△3 1-171898-1
赤 RED	171898-9
橙 ORANGE	171898-8
黄 YELLOW	171898-7
緑 GREEN	171898-4
茶 BROWN	171898-3
黒 BLACK	171898-2
自然色 NATURAL	171898-1
色 COLOR	型番 PART NUMBER

DIMENSIONS: 単位: 概 mm 		TOLERANCES UNLESS OTHERWISE SPECIFIED: 一般公差 ±0.25 0-PLC ± 1-PLC ± 2-PLC ± 3-PLC ± 4-PLC ± ANGLES ±3°		DWN Y. OKADA 200CT2010 CHK S. YAMADA 200CT2010 APVD N. YAMASAKI 200CT2010 PRODUCT SPEC 108-5147 APPLICATION SPEC 114-5052 WEIGHT MATERIAL 66ナイロン 66NYLLON FINISH 仕上 色: 表参照 COLOR: SEE TABLE		 TE Connectivity NAME 250シリーズハウジングランスコネクタ 6極プラグハウジング 250SERIES HOUSING LANCE CONNECTOR 6POS PLUG HOUSING SIZE A300779 CAGE CODE 171898 DRAWING NO. 171898 RESTRICTED TO - SCALE 2:1 SHEET OF REV F1	
---	--	---	--	---	--	---	--

单击下面可查看定价，库存，交付和生命周期等信息

[>>TE Connectivity\(泰科\)](#)