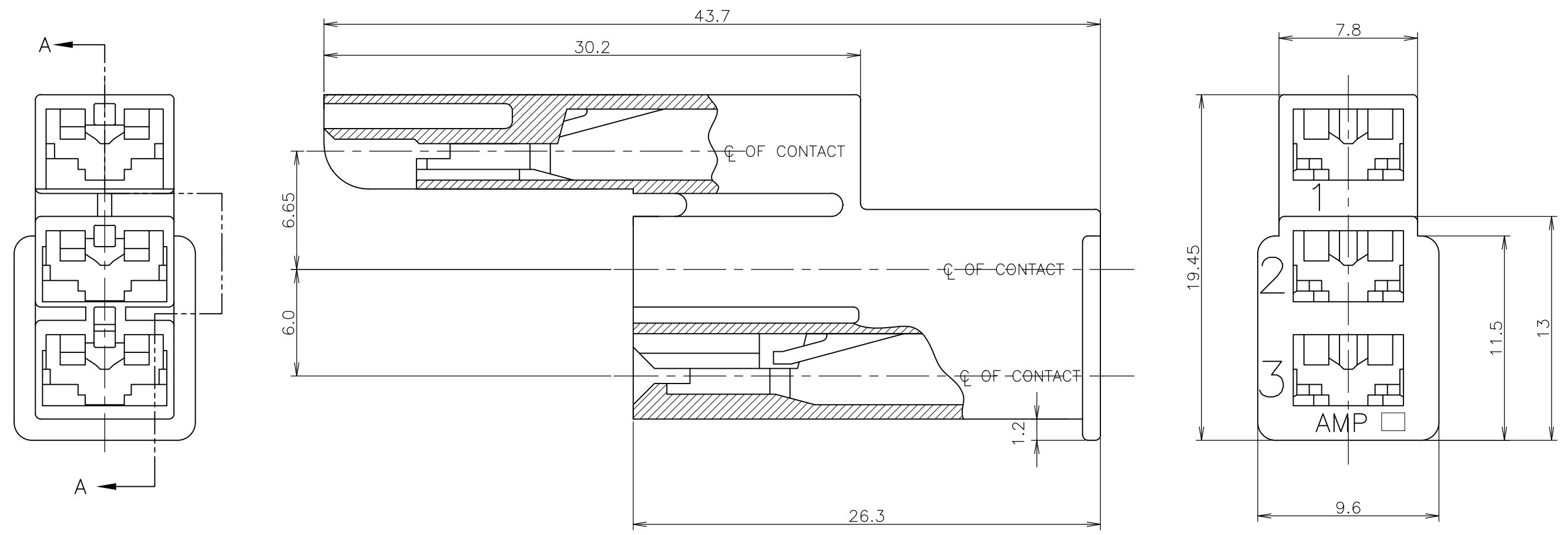


THIS DRAWING IS UNPUBLISHED. RELEASED FOR PUBLICATION DEC, 1979.
 © COPYRIGHT 1979 By Tyco Electronics Japan G.K. ALL RIGHTS RESERVED.

| REVISIONS 変更 | | | | | |
|-----------------|-----|---------------------------|-----------|-----|------|
| P | LTR | DESCRIPTION | DATE | DWN | APVD |
| | E8 | REVISED PER ECR-19-002938 | 22FEB2019 | BH | E.W |



SECTION A-A

- 1 PRODUCT SPEC : 108-5126
- 2 APPLIED CONTACT P/N : 170324,170325,170326
- 3 THIS CONNECTOR APPLIED FOR 3 POS. MICRO SWITCH.
- 4 SEE CP79-25225 FOR APPLIED TAB.
- Ⓐ MATERIAL : 6/6 NYLON (94V-2)
- Ⓑ MATERIAL : 6/6 NYLON (94V-0)
- Ⓓ OBSOLETE PARTS : OBSOLETE CIS STREAMLINING PER D.RENAUD/D.SINISI
- Ⓔ MATERIAL : PA66, UL94 V-0, GWIT 775°C

| | | | |
|----------|-----------------------|---|-----------|
| | 2-172075-1 | Ⓔ | NATURAL |
| Ⓓ | 1-172075-7 | Ⓓ | (RED) |
| | 1-172075-6 | Ⓓ | (BLUE) |
| Ⓓ | 1-172075-5 | Ⓓ | (GREEN) |
| Ⓓ | 1-172075-4 | Ⓓ | (YELLOW) |
| | 1-172075-1 | Ⓓ | (NATURAL) |
| | 172075-7 | Ⓓ | (RED) |
| | 172075-6 | Ⓓ | (BLUE) |
| OBSOLETE | 172075-5 | Ⓓ | (GREEN) |
| | 172075-4 | Ⓓ | (YELLOW) |
| | 172075-1 | Ⓓ | (NATURAL) |
| | PART NUMBER | | (COLOR) |

| | | | | | |
|--|--|------------------------------|--|--------------------|------------------------------|
| THIS DRAWING IS A CONTROLLED DOCUMENT. | | DWN H.YAMADA 12DEC1979 | TE Connectivity | | |
| DIMENSIONS: 単位: 耗 mm | | CHK A.TOMITA 12DEC1979 | | | |
| TOLERANCES UNLESS OTHERWISE SPECIFIED: 一般公差 | | APVD Y.SATO 08APR1980 | NAME 名称 187 SERIES 3 POS. POSITIVE LOCK MK-II HSG 187シリーズ 3極ポジティブロック マークII ハウジング | | |
| 0-PLC ± 1-PLC ±0.4 2-PLC ± 3-PLC ± 4-PLC ± ANGLES ± | | PRODUCT SPEC 製品規格 | SIZE A3 | CAGE CODE 00779 | DRAWING NO 番号 C-172075 |
| MATERIAL 材料 注記参照 Ⓔ SEE NOTES Ⓐ Ⓑ | | FINISH 仕上 | WEIGHT | RESTRICTED TO | |
| CUSTOMER DRAWING | | | SCALE 尺度 4:1 | SHEET 1 OF 1 | REV E8 |

PROJ.NO. 716-211

A

单击下面可查看定价，库存，交付和生命周期等信息

[>>TE Connectivity\(泰科\)](#)