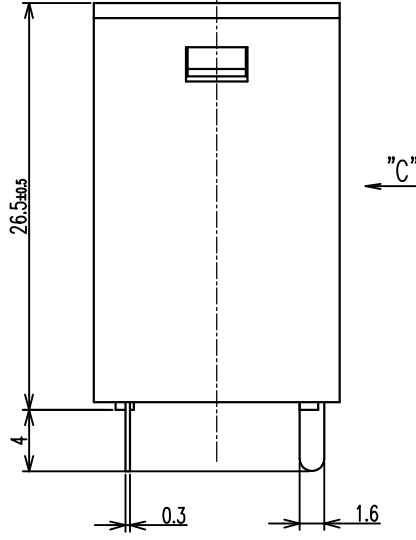
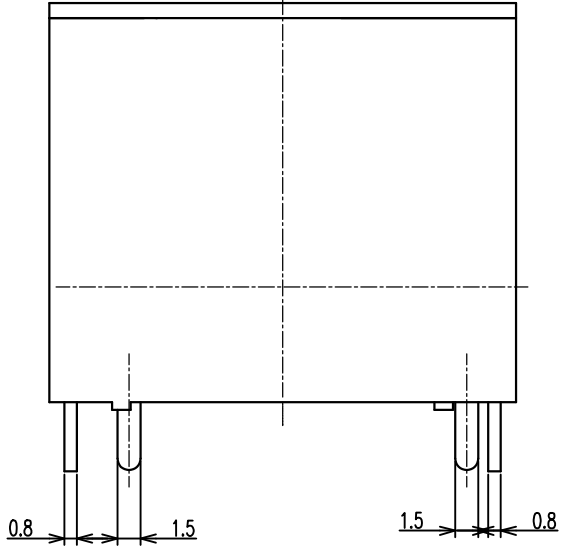


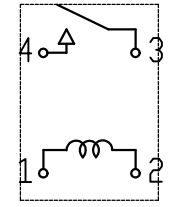
THIS DRAWING IS UNPUBLISHED. RELEASED FOR PUBLICATION
 © COPYRIGHT BY TYCO ELECTRONICS CORPORATION. ALL RIGHTS RESERVED.

LOC HB DIST

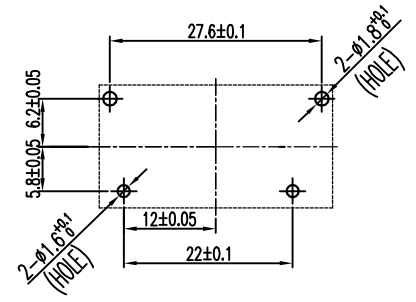
REVISIONS						
P	LTR	DESCRIPTION	ECO	DATE	DWN	APVD
B		CHANGE NEW LOGO	ECO-08-007869	6-MAR-09	M.H.L	BH.Y
C		TE LOGO CHANGE,	ECO-18-008295	30-MAY-18	TDD	K.T



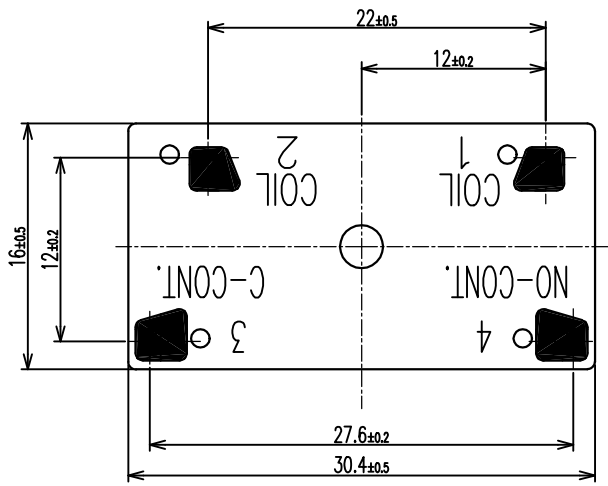
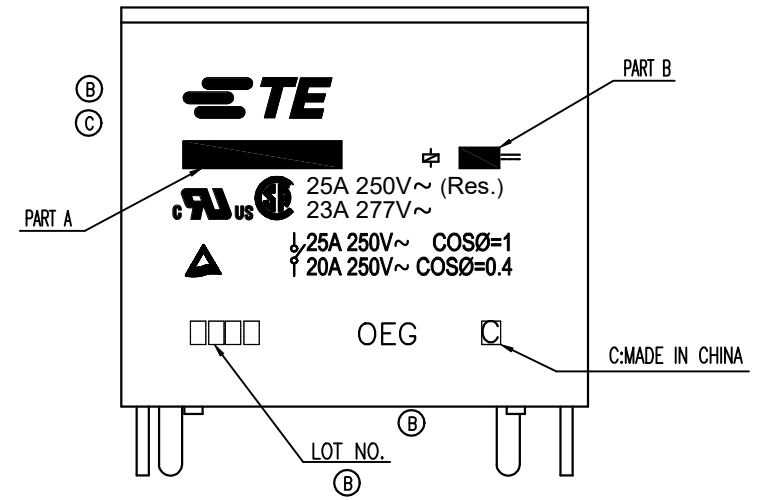
CIRCUIT DIAGRAM(BOTTOM VIEW)



DRILLING DIAGRAM (BOTTOM VIEW)



VIEW C



THIS DRAWING IS A CONTROLLED DOCUMENT FOR TYCO ELECTRONICS CORPORATION
 IT IS SUBJECT TO CHANGE AND THE CONTROLLING ENGINEERING ORGANIZATION
 SHOULD BE CONTACTED FOR THE LATEST REVISION.

DIMENSIONS: mm	TOLERANCES, UNLESS OTHERWISE SPECIFIED:
	0 PLC ±
	1 PLC ±0.1
	2 PLC ±
	3 PLC ±
	4 PLC ±
MATERIAL SEE MATERIAL TABLE	FINISH —

CHK GR,ZHOU	TE Connectivity		
APVD XN,ZHANG	PCFN D2MF(CLASS F) CUSTOMER DRAWING		
PRODUCT SPEC C.H.HSU	SIZE A3	GAGE CODE	DRAWING NO. 1721542
APPLICATION SPEC	RESTRICT TO	SCALE 3:1	SHEET 1 OF 2
WEIGHT	CUSTOMER DRAWING		REV C

THIS DRAWING IS UNPUBLISHED. | RELEASED FOR PUBLICATION
 © COPYRIGHT BY TYCO ELECTRONICS CORPORATION. ALL RIGHTS RESERVED.

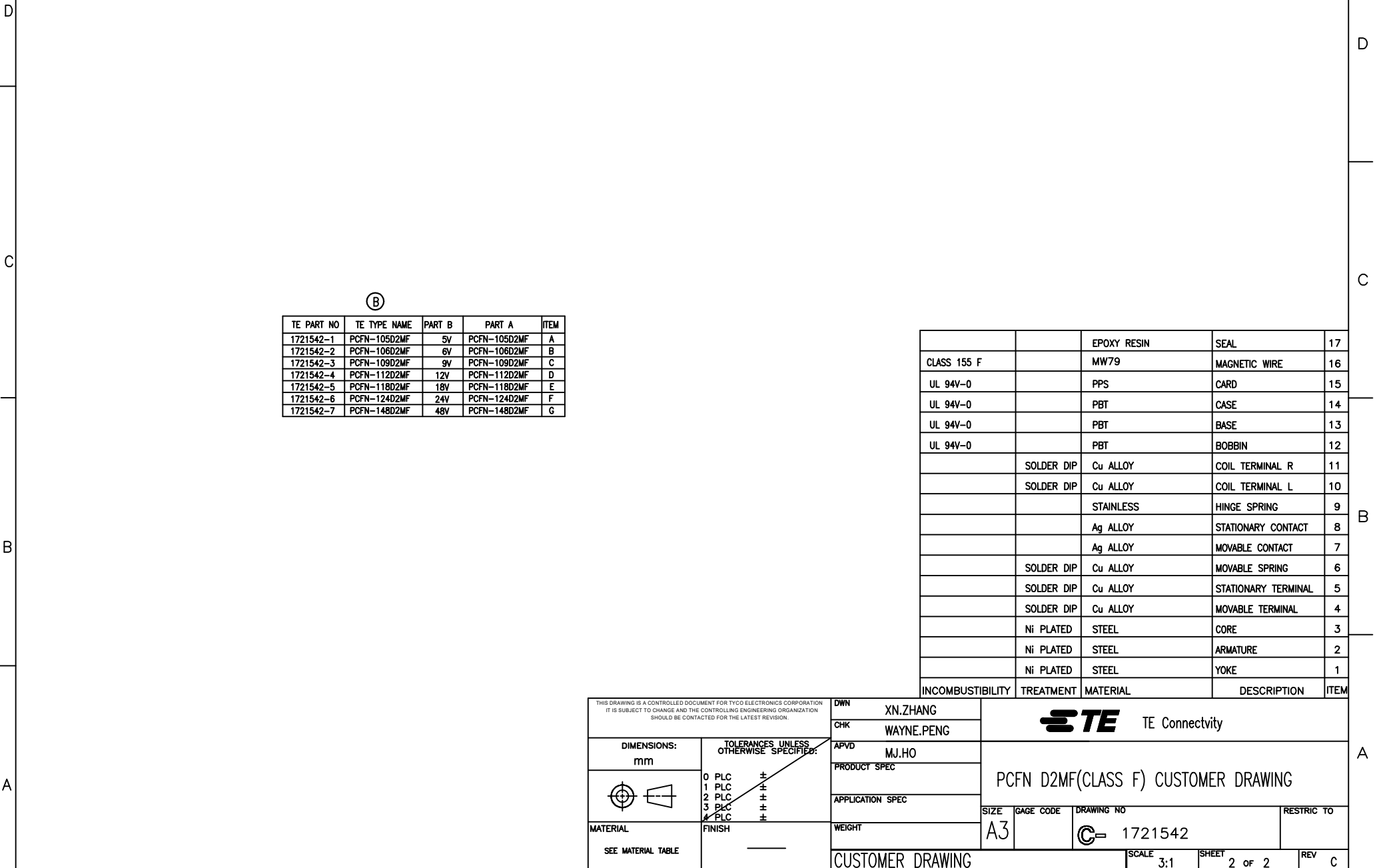
LOC		DIST		REVISIONS					
P	LTR	DESCRIPTION	ECO	DATE	DWN	APVD			
		SEE SHEET 1							

Ⓑ

TE PART NO	TE TYPE NAME	PART B	PART A	ITEM
1721542-1	PCFN-105D2MF	5V	PCFN-105D2MF	A
1721542-2	PCFN-106D2MF	6V	PCFN-106D2MF	B
1721542-3	PCFN-109D2MF	9V	PCFN-109D2MF	C
1721542-4	PCFN-112D2MF	12V	PCFN-112D2MF	D
1721542-5	PCFN-118D2MF	18V	PCFN-118D2MF	E
1721542-6	PCFN-124D2MF	24V	PCFN-124D2MF	F
1721542-7	PCFN-148D2MF	48V	PCFN-148D2MF	G

		EPOXY RESIN	SEAL	17
CLASS 155 F		MW79	MAGNETIC WIRE	16
UL 94V-0		PPS	CARD	15
UL 94V-0		PBT	CASE	14
UL 94V-0		PBT	BASE	13
UL 94V-0		PBT	BOBBIN	12
	SOLDER DIP	Cu ALLOY	COIL TERMINAL R	11
	SOLDER DIP	Cu ALLOY	COIL TERMINAL L	10
		STAINLESS	HINGE SPRING	9
		Ag ALLOY	STATIONARY CONTACT	8
		Ag ALLOY	MOVABLE CONTACT	7
	SOLDER DIP	Cu ALLOY	MOVABLE SPRING	6
	SOLDER DIP	Cu ALLOY	STATIONARY TERMINAL	5
	SOLDER DIP	Cu ALLOY	MOVABLE TERMINAL	4
	Ni PLATED	STEEL	CORE	3
	Ni PLATED	STEEL	ARMATURE	2
	Ni PLATED	STEEL	YOKE	1
INCOMBUSTIBILITY	TREATMENT	MATERIAL	DESCRIPTION	ITEM

<small>THIS DRAWING IS A CONTROLLED DOCUMENT FOR TYCO ELECTRONICS CORPORATION IT IS SUBJECT TO CHANGE AND THE CONTROLLING ENGINEERING ORGANIZATION SHOULD BE CONTACTED FOR THE LATEST REVISION.</small>		DWN	XN.ZHANG	
DIMENSIONS: mm		CHK	WAYNE.PENG	
		APVD	MJ.HO	
TOLERANCES UNLESS OTHERWISE SPECIFIED: 0 PLC ± 1 PLC ± 2 PLC ± 3 PLC ± 4 PLC ±		PRODUCT SPEC		
MATERIAL SEE MATERIAL TABLE		APPLICATION SPEC		
FINISH		WEIGHT		
		SIZE	A3	
		GAGE CODE		
		DRAWING NO	C- 1721542	
		RESTRICT TO		
CUSTOMER DRAWING		SCALE	3:1	
		SHEET	2 OF 2	
		REV	C	



单击下面可查看定价，库存，交付和生命周期等信息

[>>TE Connectivity\(泰科\)](#)