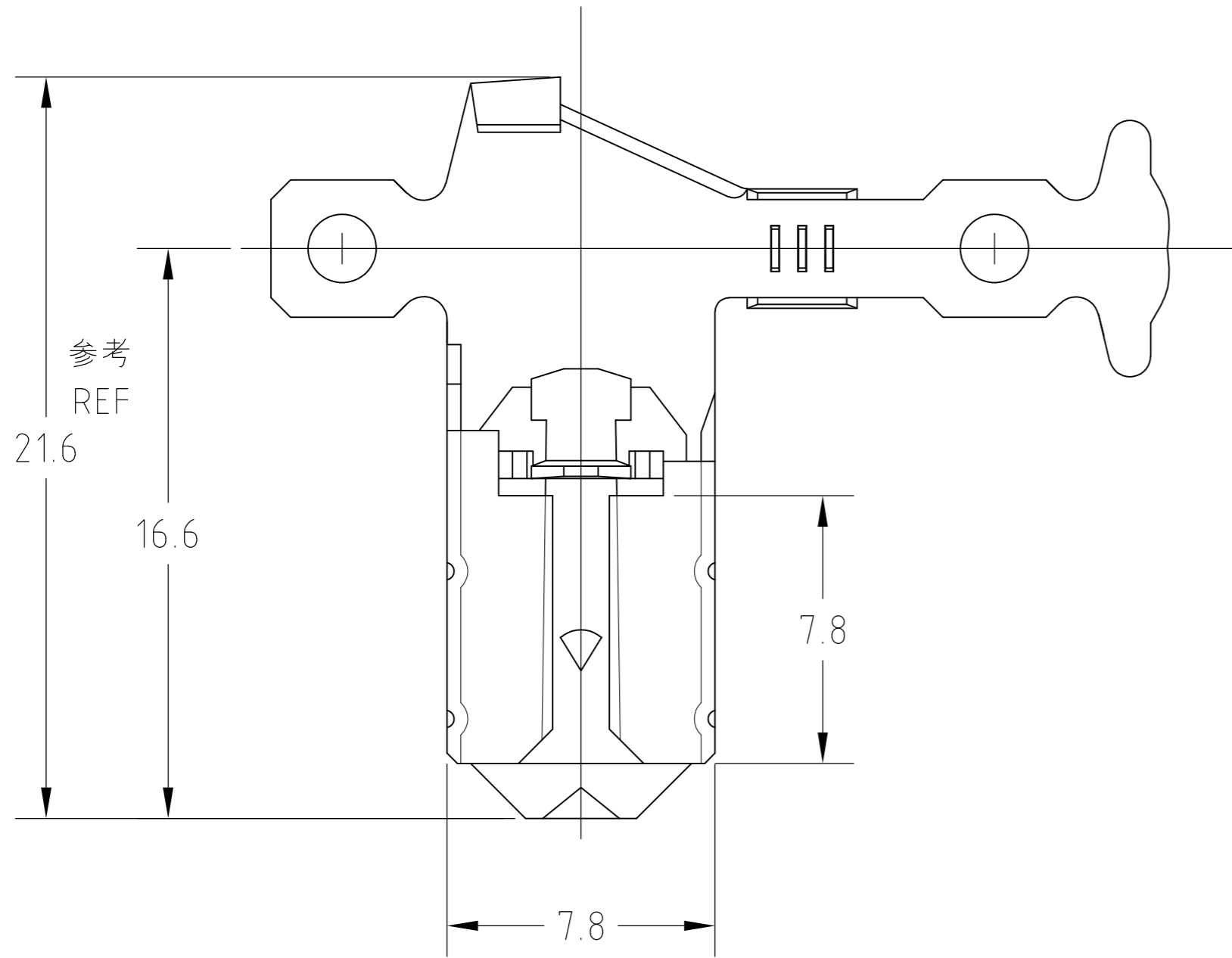


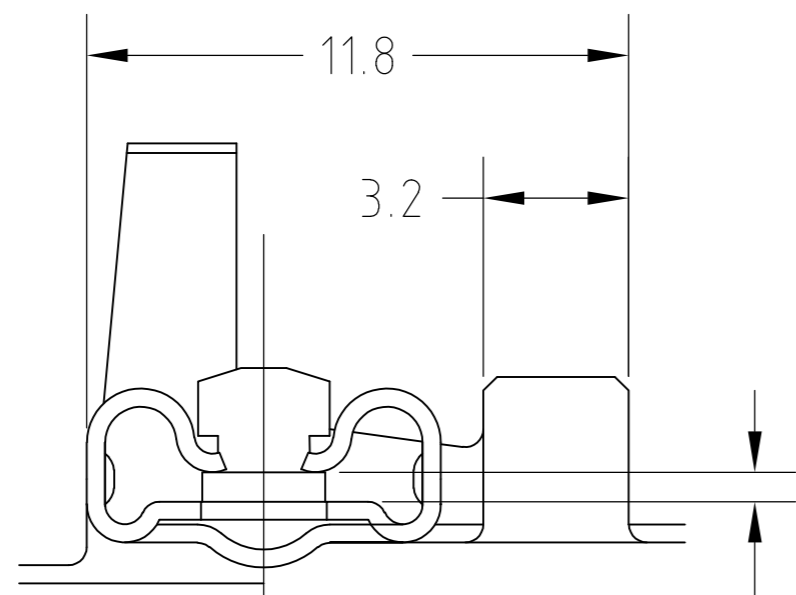
THIS DRAWING IS UNPUBLISHED. RELEASED FOR PUBLICATION
 © COPYRIGHT - By - ALL RIGHTS RESERVED.

LOC	DIST	REVISIONS					
		P	LTR	DESCRIPTION	DATE	DWN	APVD
J	-	C1		REVISED PER ECO-11-005030	11MAR11	RK	HMR

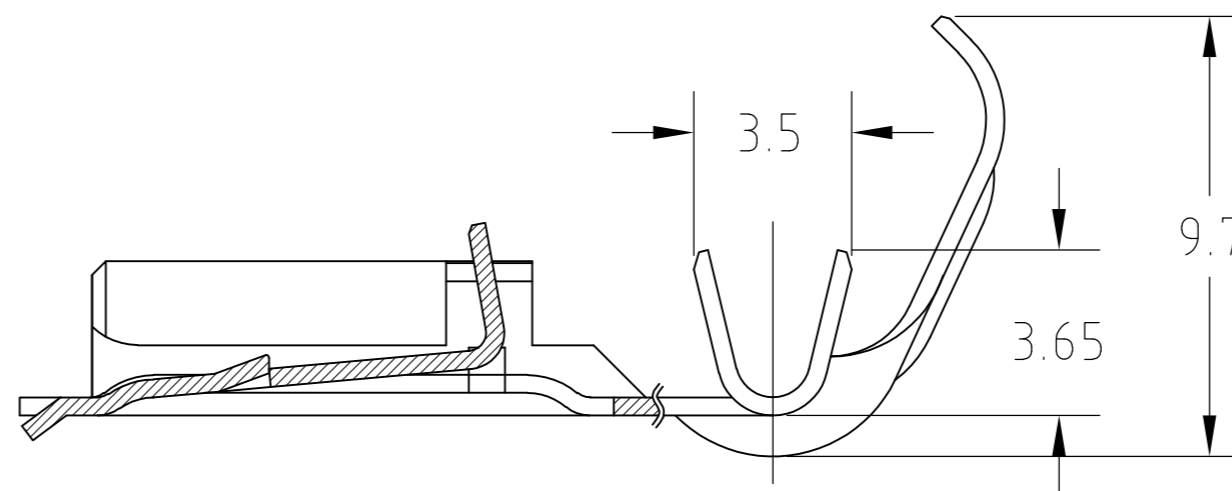


- 注：
 1. 一般公差±0.3,±3°
 2. 適用ハウジング型番：172469
 3. 取扱説明書番号：15-212J

- NOTES:
 1. GENERAL TOLERANCE±0.3,±3°
 2. APPLICABLE HOUSING P/N: 172469
 3. APPLICABLE INSTRUCTION SHEET: 15-212J



0.8厚タブとカン合
 MATE WITH 0.8mm THK TAB



-	錫めっき済 銅合金 PRE-TIN COPPER ALLOY	172763-2
172764-1	錫めっき済 黄銅 PRE-TIN BRASS	172763-1
ばら状端子型番 LOOSE PIECE P/N	材 料 MATERIAL	型番 P/N

THIS DRAWING IS A CONTROLLED DOCUMENT.		DWN	J.SATO	15DEC2004		TE Connectivity		
DIMENSIONS: 単位: 純 mm		CHK	A.OISHI	15DEC.2004		NAME 名称		
TOLERANCES UNLESS OTHERWISE SPECIFIED 一般公差		APVD	N.YAMASAKI	15DEC.2004		"250" SERIES FLAG POSITIVE LOCK(MARK-II) REC.		
0 PLC ± - 1 PLC ± - 2 PLC ± - 3 PLC ± - 4 PLC ± - ANGLES ± -		PRODUCT SPEC	製品規格	108-5162		"250"シリーズ旗型ポジティブロック(マークII)リセプタクル		
MATERIAL 材料	SEE TABLE	FINISH 仕上	SEE TABLE	APPLICATION SPEC	取付適用規格	114-5070	RESTRICTED TO	
		WEIGHT	1.130/EA	SIZE	A2	CAGE CODE	00779	
		CUSTOMER DRAWING		DRAWING NO	C=172763		SCALE 尺度	
				SCALE	6:1	SHEET	1 OF 1	
				REV	C1			

172763

单击下面可查看定价，库存，交付和生命周期等信息

[>>TE Connectivity\(泰科\)](#)