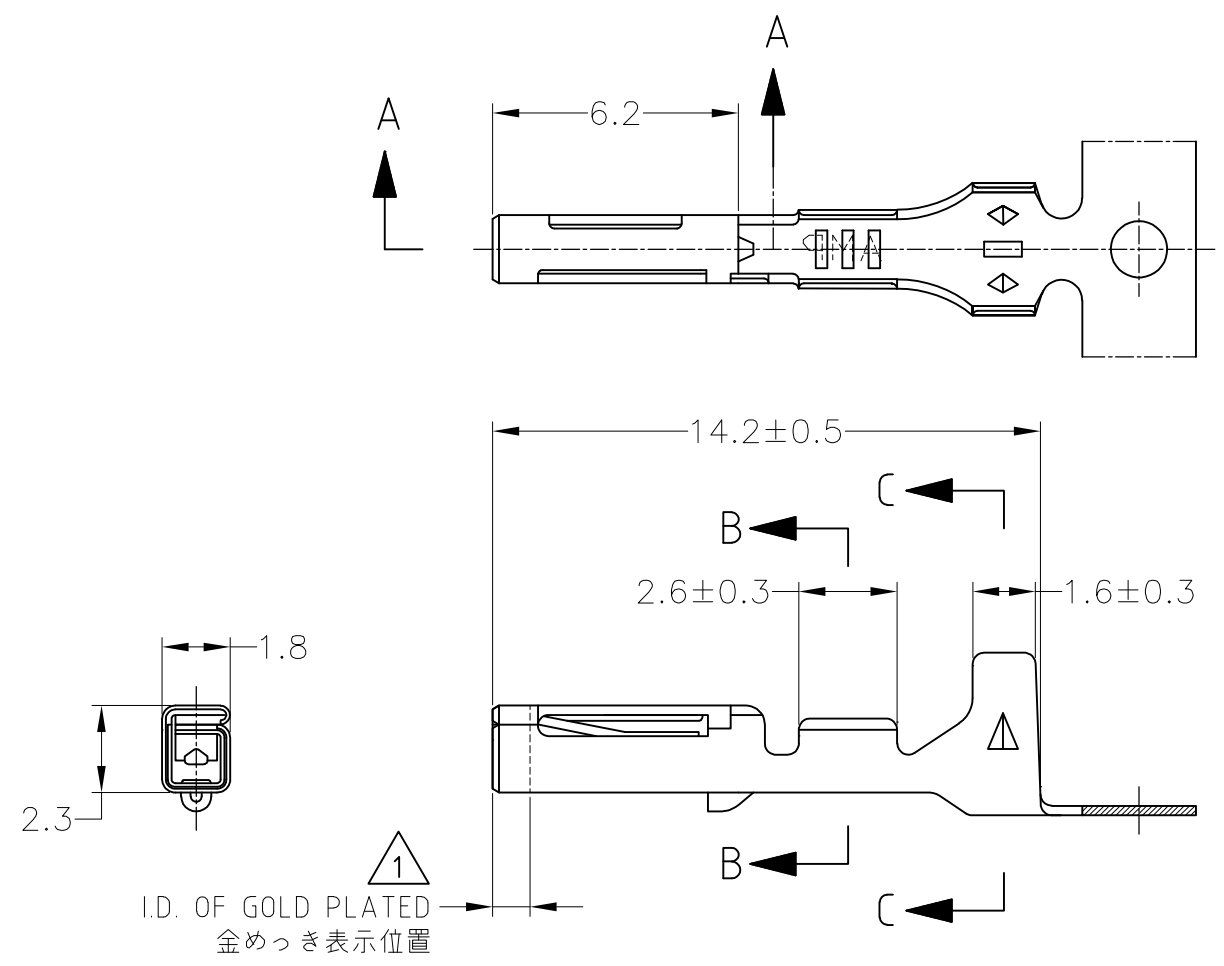


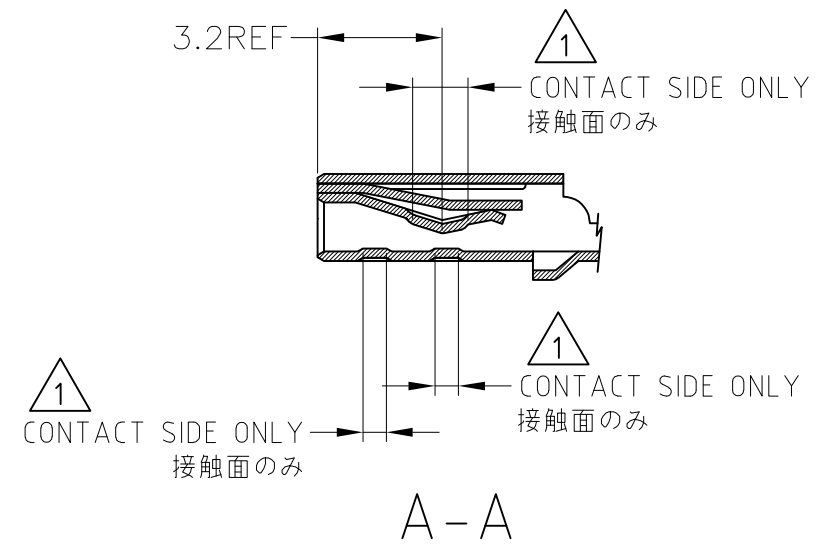
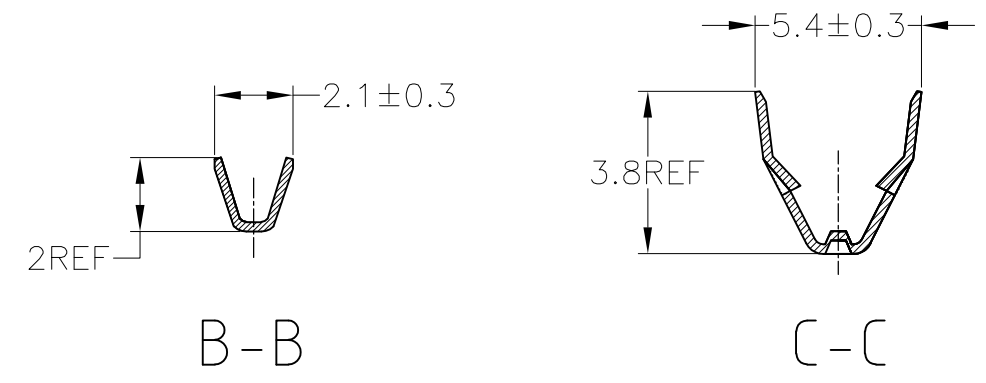
THIS DRAWING IS UNPUBLISHED. RELEASED FOR PUBLICATION  
 © COPYRIGHT - By - ALL RIGHTS RESERVED.

LOC	DIST	REVISIONS 変更					
J	-	P	LTR	DESCRIPTION	DATE	DWN	APVD
		E4		REVISED PER ECO-11-005140	07APR11	RK	HMR



注：  
△部分金めっき

NOTE：  
△SELECTIVE GOLD



TOLERANCES UNLESS OTHERWISE SPECIFIED:

一般公差	
10 ≥	±0.2
30 ≥ > 10	±0.25
100 ≥ > 30	±0.3
ANGLE	±3°

THIS DRAWING IS A CONTROLLED DOCUMENT.

DIMENSIONS: 単位: 耗 mm	TOLERANCES UNLESS OTHERWISE SPECIFIED: 一般公差
0 PLC ±-	1 PLC ±-
2 PLC ±-	3 PLC ±-
4 PLC ±-	ANGLES ±-
MATERIAL 材料 PHOS. BRONZE, THK 0.25 りん青銅、板厚; 0.25	FINISH 仕上 SEE TABLE

DWN T.SHINOHARA	25MAY04
CHK K.BETSUI	25MAY04
APVD K.BETSUI	25MAY04
PRODUCT SPEC 製品規格	
APPLICATION SPEC 取付適用規格	
WEIGHT 0.262	

SEE DRAWING 173681-6	173681-6
175062-2	SELECTIVE GOLD
175062-1	PRE-TINNED
LOOSE PIECES NUMBER	FINISH
WIRE RANGE (抱合電線断面積) 0.3~0.56mm <sup>2</sup> (AWG#22~20)	INSULATION DIA. (被覆外径) 1.8~2 mmφ



040 SERIES RECEPTACLE CONTACT

NAME 名称	SIZE A3	CAGE CODE 00779	DRAWING NO 番号 C-173681	RESTRICTED TO
CUSTOMER DRAWING	SCALE 尺度 5:1	SHEET 1 OF 1	REV E4	

单击下面可查看定价，库存，交付和生命周期等信息

[>>TE Connectivity\(泰科\)](#)