

THIS DRAWING IS UNPUBLISHED.

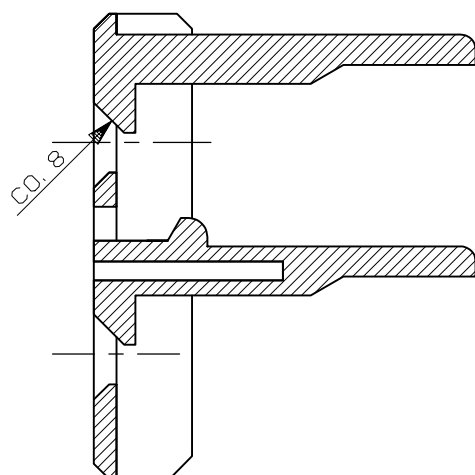
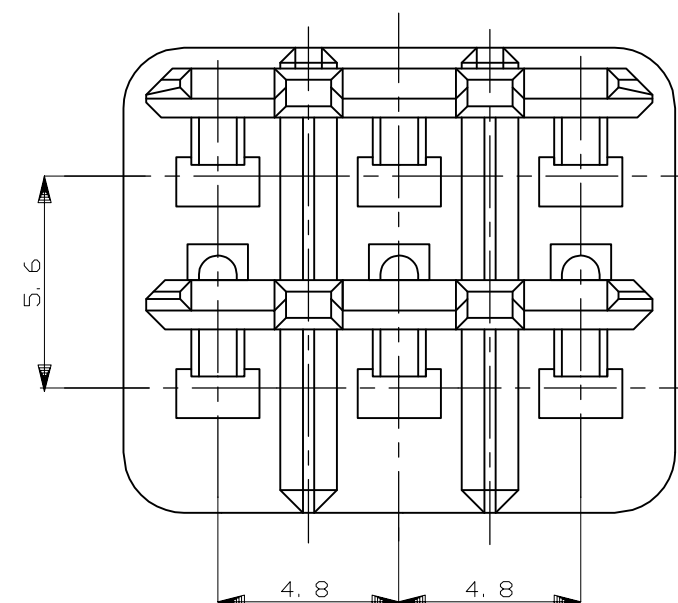
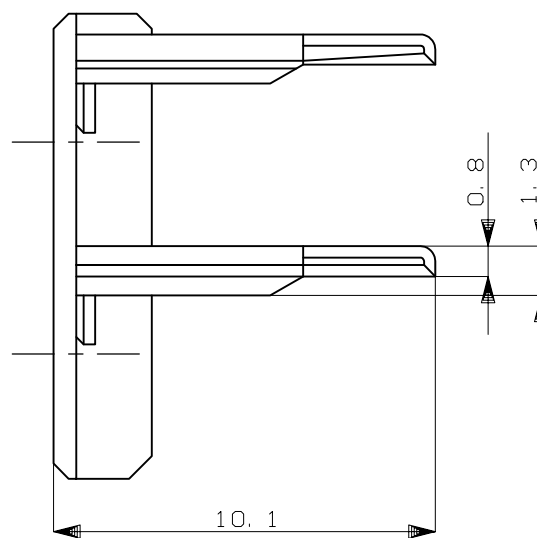
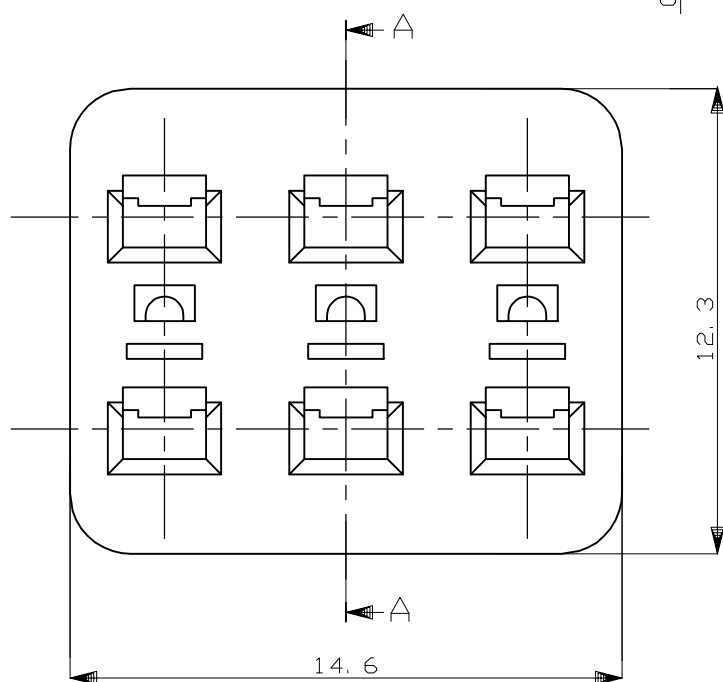
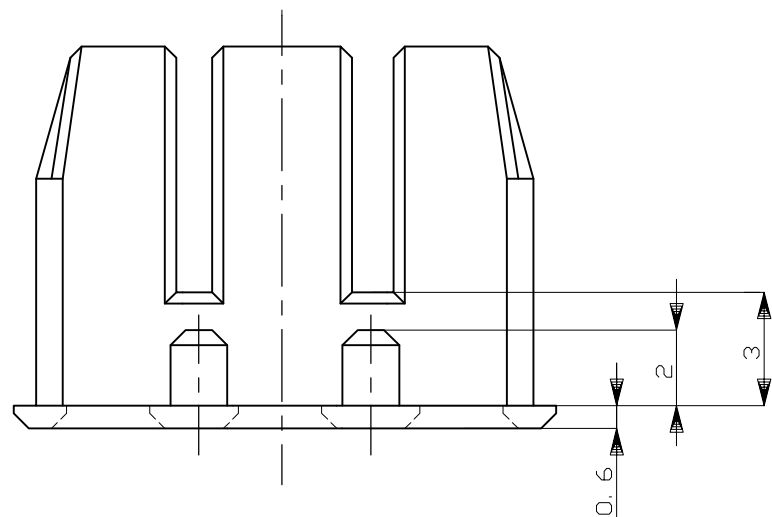
RELEASED FOR PUBLICATION

ALL RIGHTS RESERVED.

© COPYRIGHT - By -

REVISIONS

P	LTR	DESCRIPTION	DATE	DWN	APVD
	B2	REVISED	22JUN2018	TS	HY



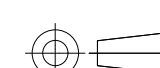
SECT 断面 A-A

GENERAL TOLERANCE

0 < * ≤ 10	: ±0.2
10 < * ≤ 30	: ±0.25
30 < * ≤ 100	: ±0.3
ANGLES	: ±3°

THIS DRAWING IS A CONTROLLED DOCUMENT.

DIMENSIONS: mm



TOLERANCES UNLESS OTHERWISE SPECIFIED:

0 PLC	± -
1 PLC	± -
2 PLC	± -
3 PLC	± -
4 PLC	± -
ANGLES	± -

MATERIAL PBT

DWN T.SAGAWA 5/16'89

CHK Y.MATSUSAKA 5/26'89

APVD M.NOGUCHI 5/31'89

PRODUCT SPEC 108-5262

APPLICATION SPEC

WEIGHT 0.5 g

CUSTOMER DRAWING

TE Connectivity Ltd.

6P. ECONOSEAL J-MARKII+ CONNECTOR
DOUBLE LOCK PLATE FOR PLUG HOUSING

SIZE	CAGE CODE	DRAWING NO	RESTRICTED TO
A3	00779	C-174263	-

SCALE 5:1 SHEET 1 OF 1 REV B2

1. 本品は、プラグハウジング型番174262及び2822346に装着される

1. TO BE MATED WITH PLUG HOUSING PN 174262 AND 2822346

HB	自然色 (NATURAL)	1-174263-1
V-2	黄 (YELLOW)	174263-7
使用材料難燃グレード (FLAMMABILITY OF MATERIAL)	色 (COLOR)	型番 (PART NUMBER)

单击下面可查看定价，库存，交付和生命周期等信息

[>>TE Connectivity\(泰科\)](#)