

4

3

2

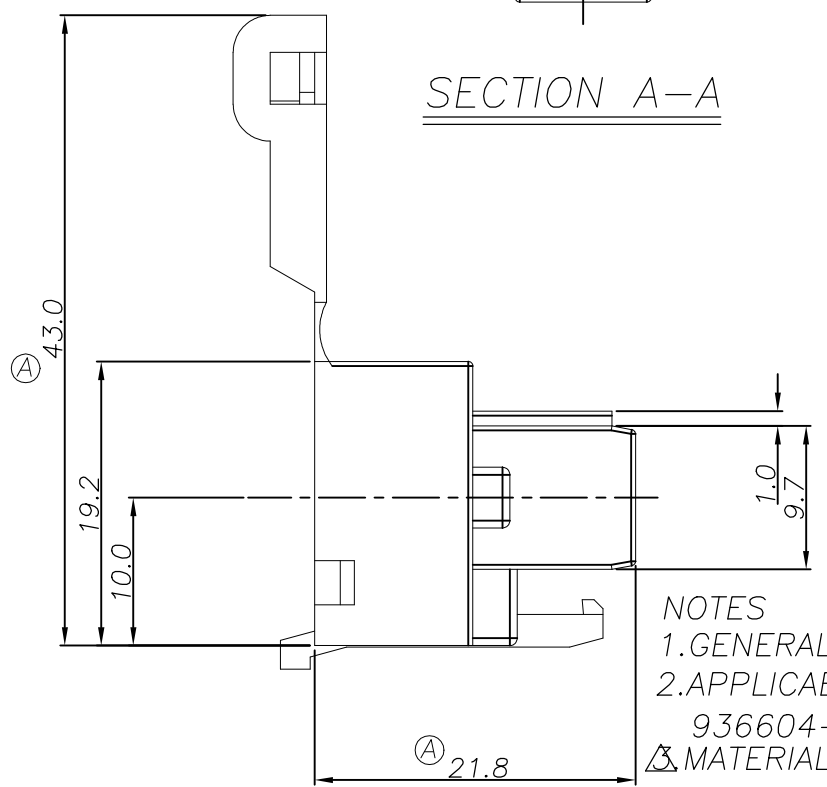
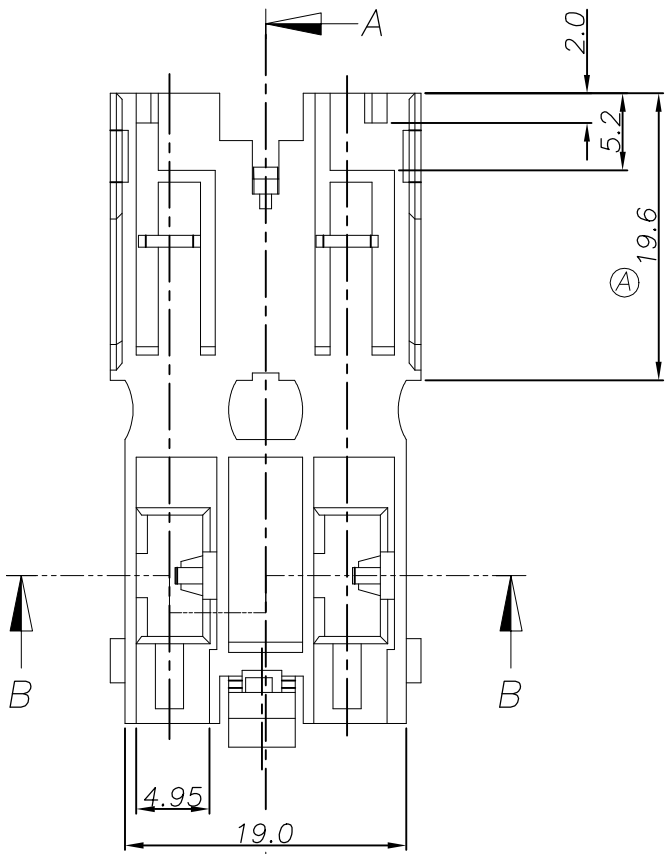
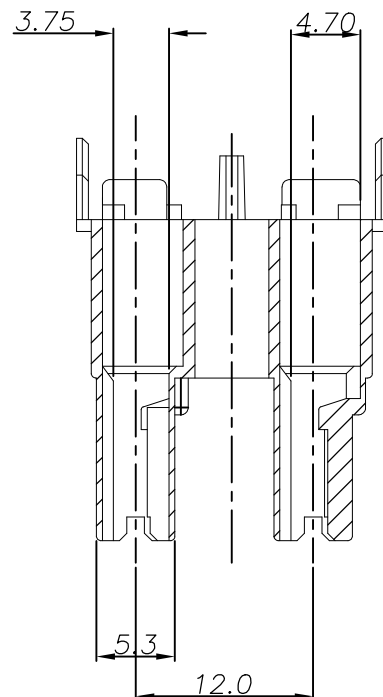
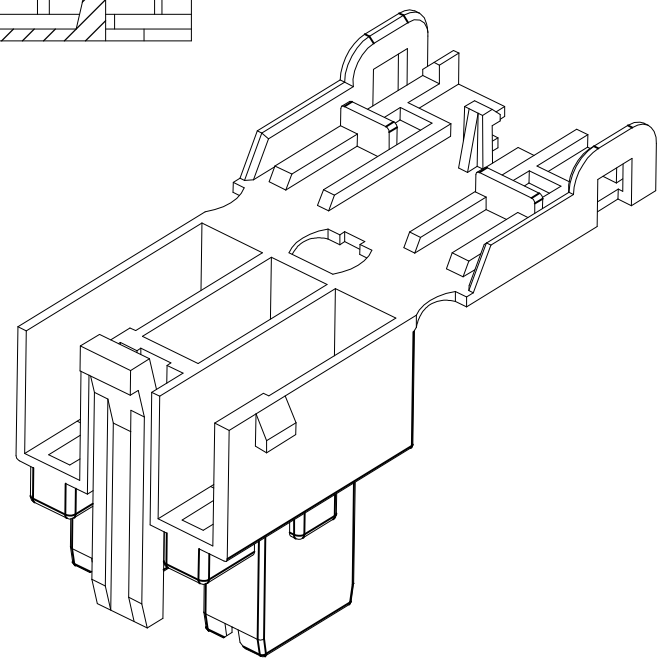
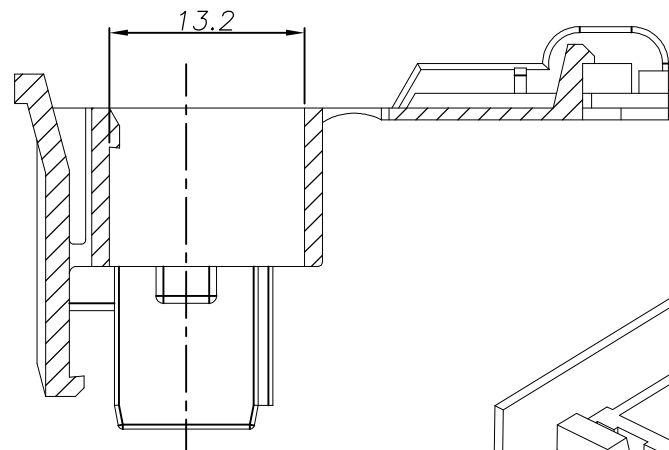
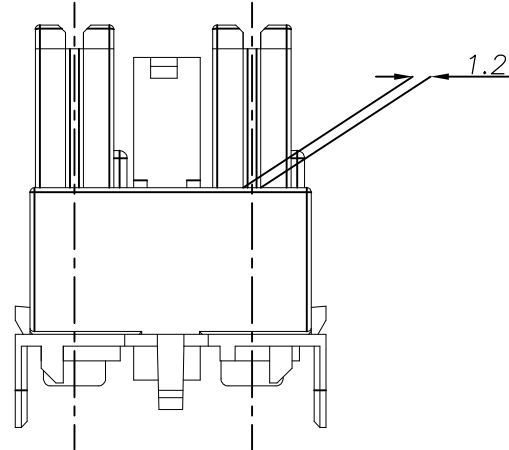
1

THIS DRAWING IS UNPUBLISHED.

RELEASED FOR PUBLICATION

© COPYRIGHT BY TYCO ELECTRONICS CORPORATION. ALL RIGHTS RESERVED.

LOC	DIST	REVISIONS					
		P	LTR	DESCRIPTION	DATE	DWN	APVD
DS	-		A1	REVISED (ECR-18-017108)	22OCT.'18	BH	E.W
			A2	REVISED (ECR-19-006537)	24APR.'19	BH	E.W



NOTES
 1. GENERAL TOLERANCES : ±0.25, ±1
 2. APPLICABLE CONTACT P/N : 936603-1, 936604-1, 936605-1.
 3. MATERIAL : PA66, UL 94V-0, GWT 775°C, GWT 750°C

1-1743206-2	⊕	BLACK
1-1743206-1	⊕	NATURAL
Ⓐ 1743206-2	PA66, UL 94V-0	BLACK
Ⓐ 1743206-1	PA66, UL 94V-0	NATURAL
P/N	MATERIAL	COLOR

THIS DRAWING IS A CONTROLLED DOCUMENT FOR TYCO ELECTRONICS CORPORATION
 IT IS SUBJECT TO CHANGE AND THE CONTROLLING ENGINEERING ORGANIZATION
 SHOULD BE CONTACTED FOR THE LATEST REVISION.

DIMENSIONS: MM	TOLERANCES UNLESS OTHERWISE SPECIFIED:	DWN BH CHO	TE Connectivity
		CHK BW KANG	
		APVD JK SONG	NAME
		PRODUCT SPEC 108-61105	250 FLAG POSITIVE LOCK 2P HSG(Pitch=12mm)
		APPLICATION SPEC 114-61019	SIZE
		WEIGHT	CAGE CODE
MATERIAL	FINISH	CUSTOMER DRAWING	DRAWING NO
			RESTRICTED TO
			SCALE 2/1 SHEET 1 OF 1 REV A2



A3 00779 © 1743206

单击下面可查看定价，库存，交付和生命周期等信息

[>>TE Connectivity\(泰科\)](#)