

THIS DRAWING IS UNPUBLISHED.

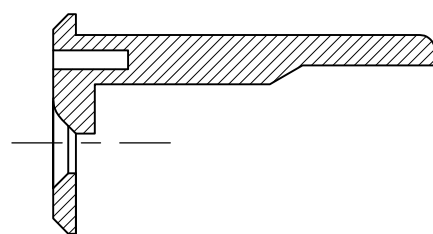
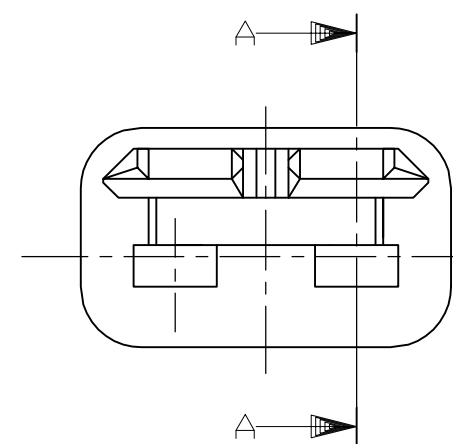
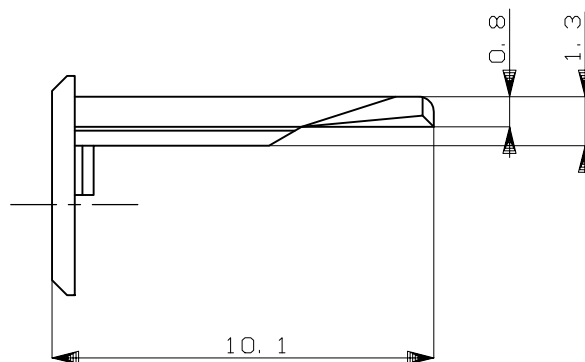
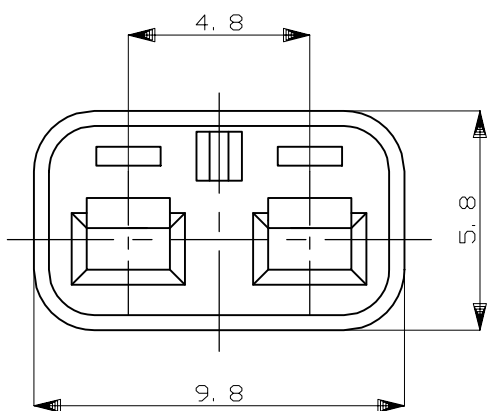
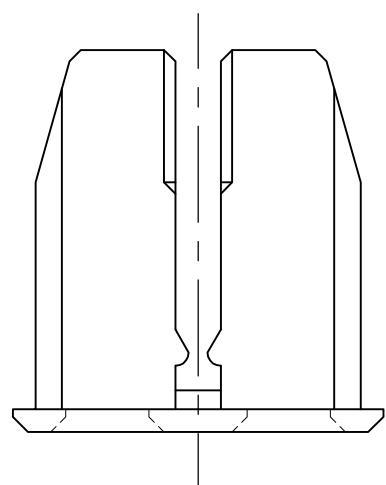
RELEASED FOR PUBLICATION

ALL RIGHTS RESERVED.

© COPYRIGHT - By -

REVISIONS

P	LTR	DESCRIPTION	DATE	DWN	APVD
	C2	REVISED	ECR-18-009736	22JUN2018	TS HY



SECTION 断面 A-A

1. 本品は、プラグハウジング型番174352及び2822348に装着される

1. TO BE MATED WITH PLUG HOUSING PART NUMBER 174352 AND 2822348

HB	自然色 (NATURAL)	1-174353-1
V-2	黄 (YELLOW)	174353-7
使用材料難燃グレード (FLAMMABILITY OF MATERIAL)	色 (COLOR)	型番 (PART NUMBER)

THIS DRAWING IS A CONTROLLED DOCUMENT.		DWN K.ODA 8/13'87	<b>STE</b> TE Connectivity Ltd.		
DIMENSIONS: mm		CHK Y.MATSUSAKA 8/24'87			
TOLERANCES UNLESS OTHERWISE SPECIFIED:		APVD M.NOGUCHI 8/19'87	NAME 2P. ECONOSEAL J-MARKII+ CONNECTOR DOUBLE LOCK PLATE FOR PLUG HOUSING		
0 PLC ± -		PRODUCT SPEC 108-5262	SIZE		
1 PLC ± -		APPLICATION SPEC	CAGE CODE		
2 PLC ± -		WEIGHT 0.12 g	DRAWING NO A300779		
3 PLC ± -		MATERIAL PBT	RESTRICTED TO		
4 PLC ± -			SCALE 5:1		
ANGLES ± -		SHEET 1 OF 1			
FINISH -		REV C2			
GENERAL TOLERANCE		CUSTOMER DRAWING			
0 < * ≤ 10 : ±0.2		SCALE 5:1			
10 < * ≤ 30 : ±0.25		SHEET 1 OF 1			
30 < * ≤ 100 : ±0.3		REV C2			
ANGLES : ±3°					

单击下面可查看定价，库存，交付和生命周期等信息

[>>TE Connectivity\(泰科\)](#)