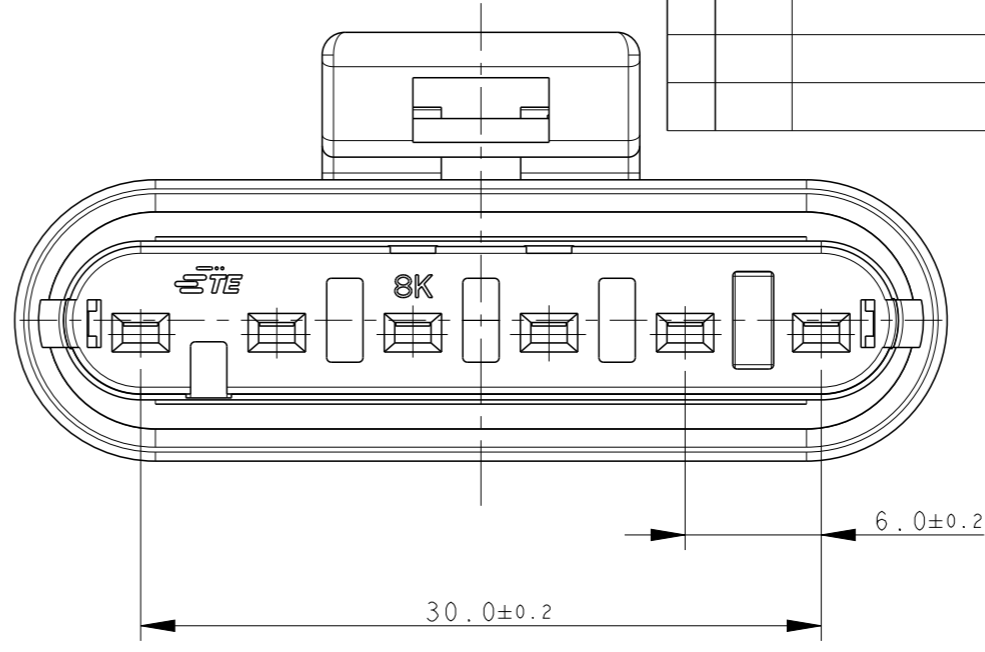
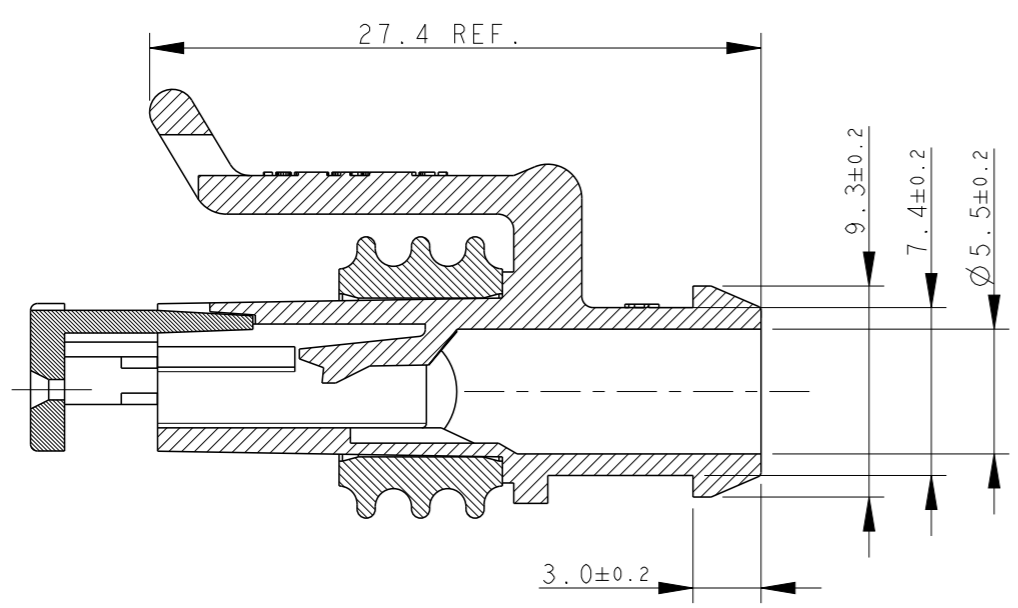
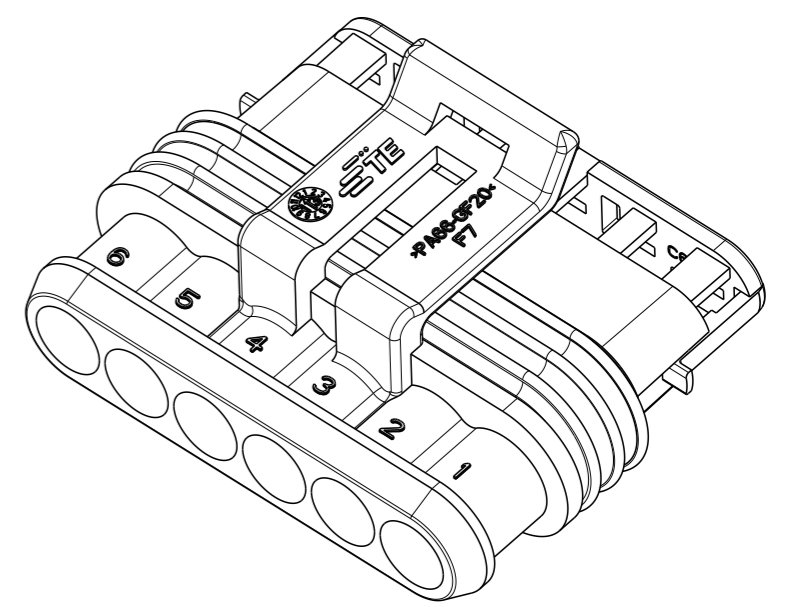
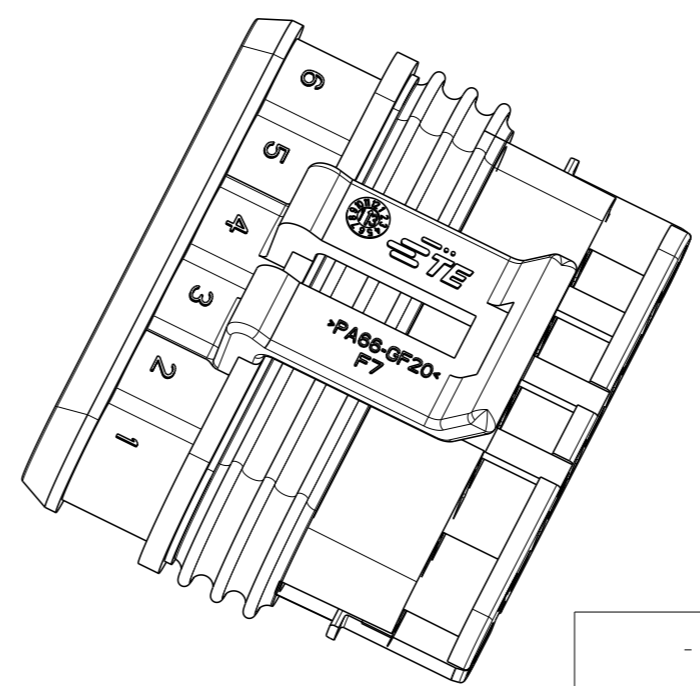
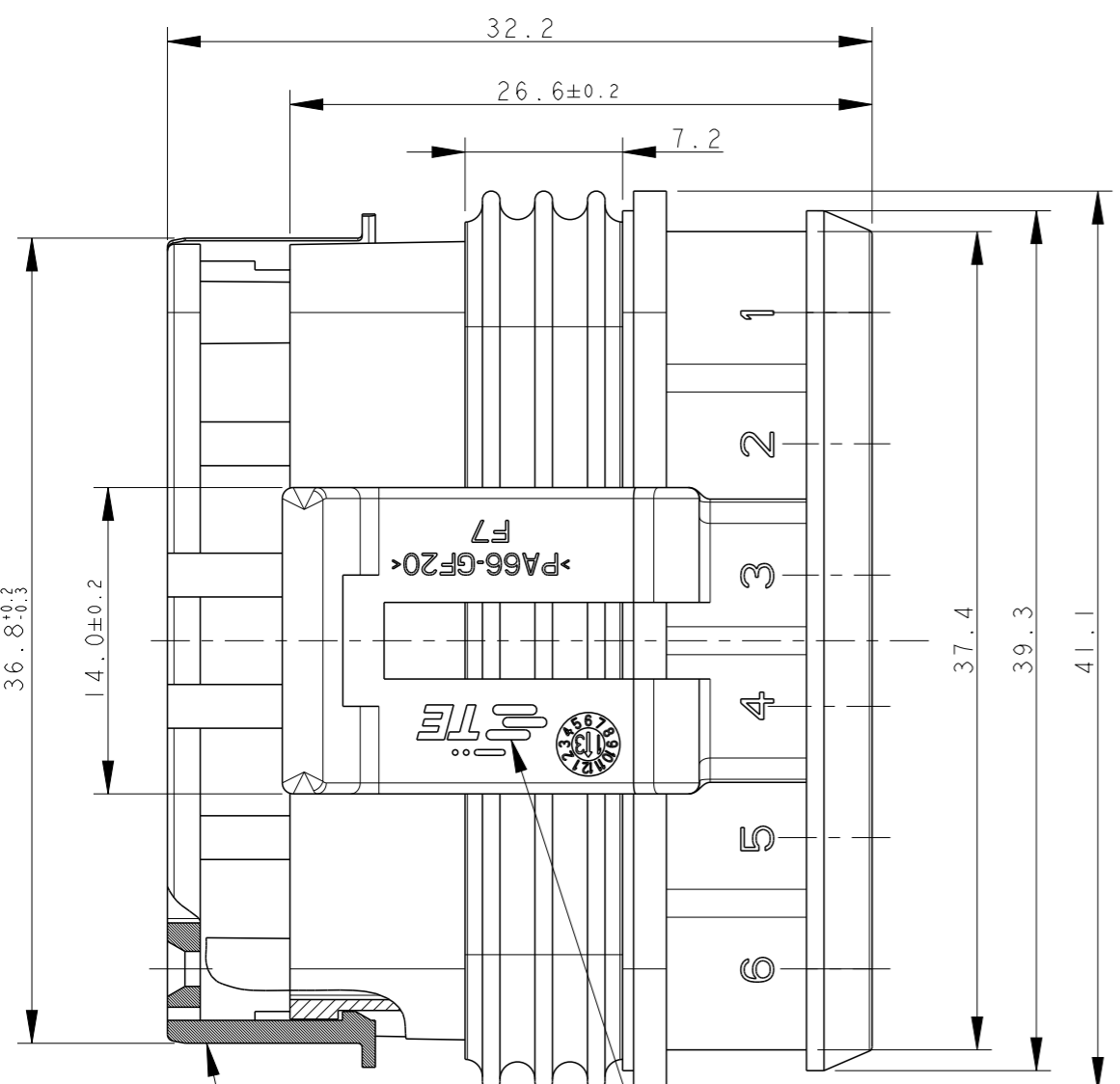


THIS DRAWING IS UNPUBLISHED. RELEASED FOR PUBLICATION 2011  
COPYRIGHT 2011 ALL RIGHTS RESERVED.

REVISIONS					
P	LTR	DESCRIPTION	DATE	DWN	APVD
	D	ECR-14-009314	24MAR2015	M.P.	M.G.



NOT YET RELEASED FOR PRODUCTION




1) FOR COUNTERPART DETAILS, SEE SHEET 2 OF 2

NOTE	FINISH/COLOR	MATERIAL	PART NUMBER
-	BLACK	PA66-GF	1745058-1

TE CONNECTIVITY TRADE MARK, (IN ALTERNATIVE: "AMP" LOGO, OR "Tyco Electronics" LOGO)

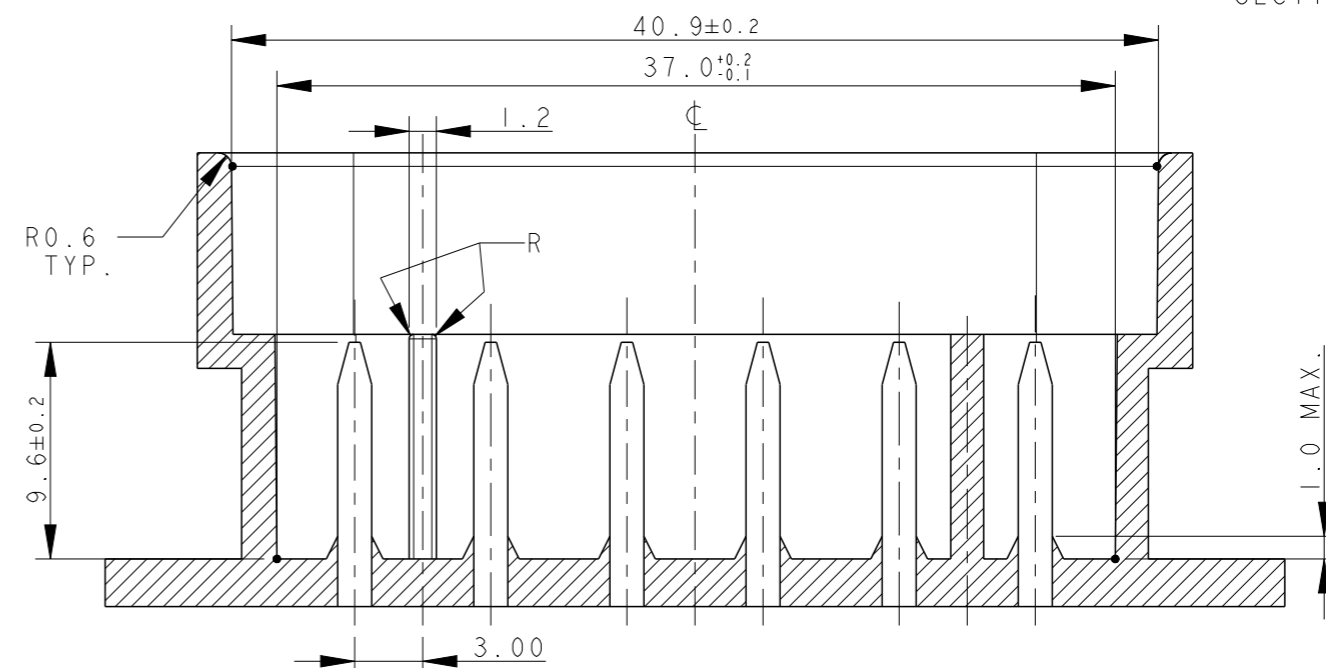
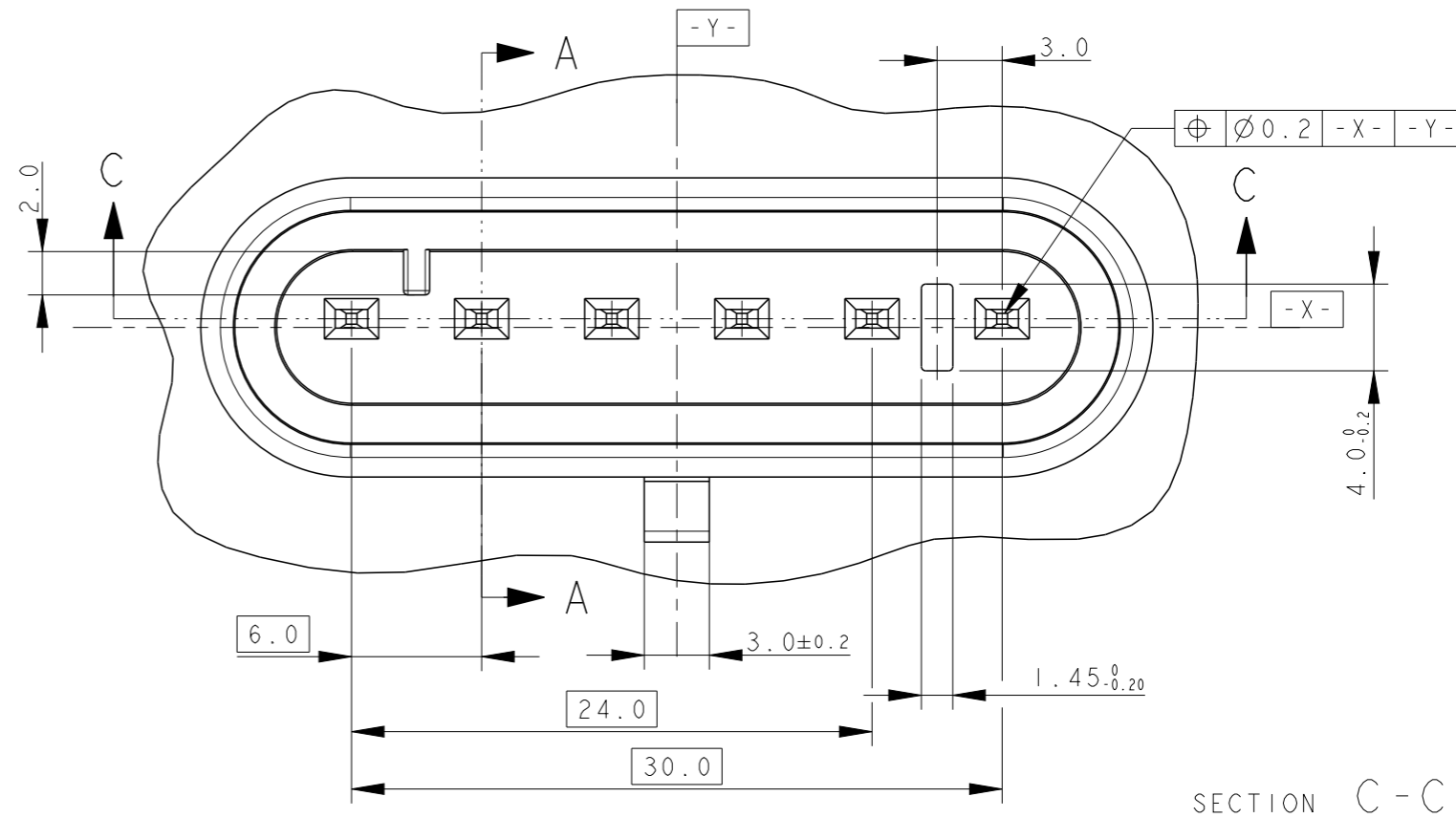
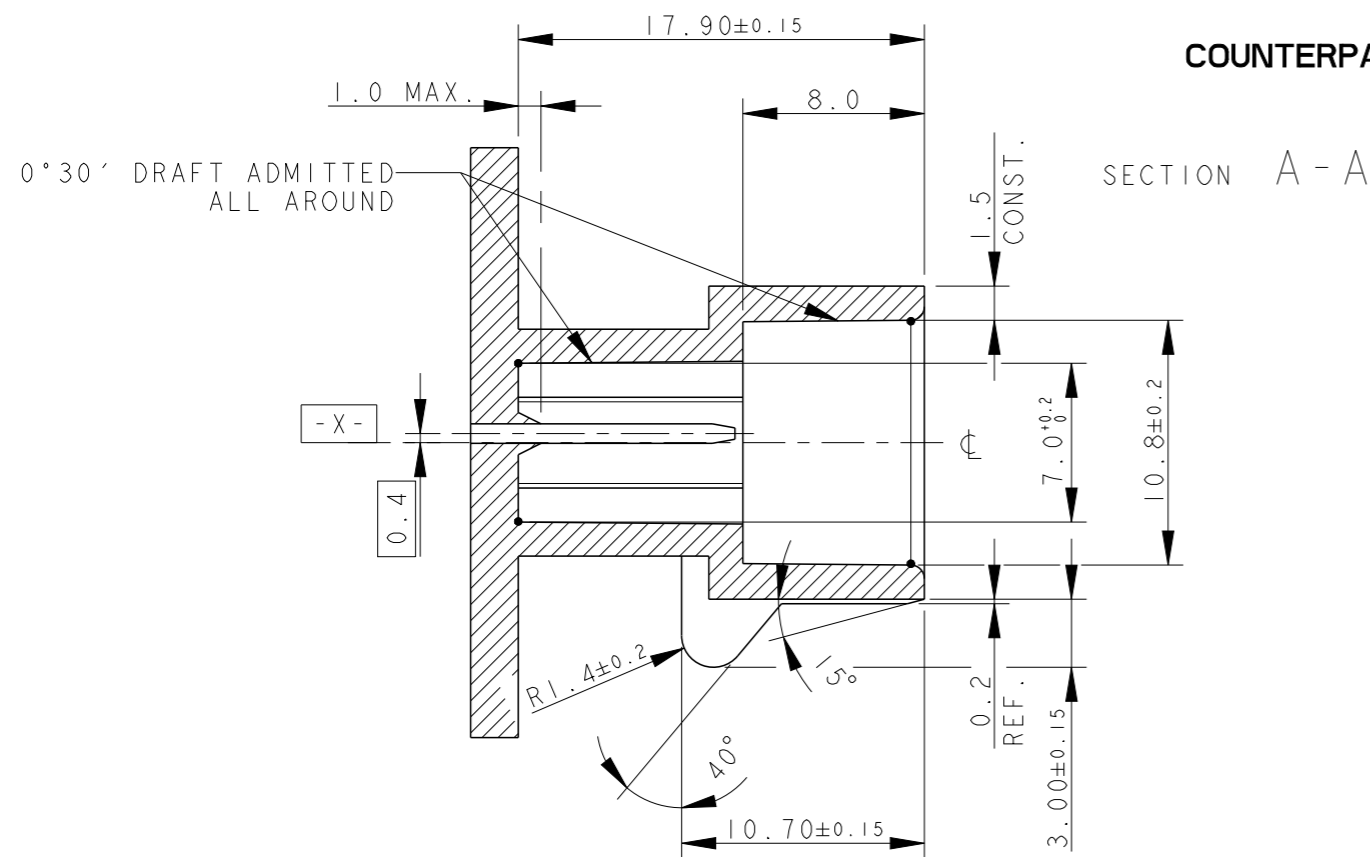
SEALING (SILICONE RUBBER)

PRE-ASSEMBLED SECONDARY LOCK (RED COLOR)

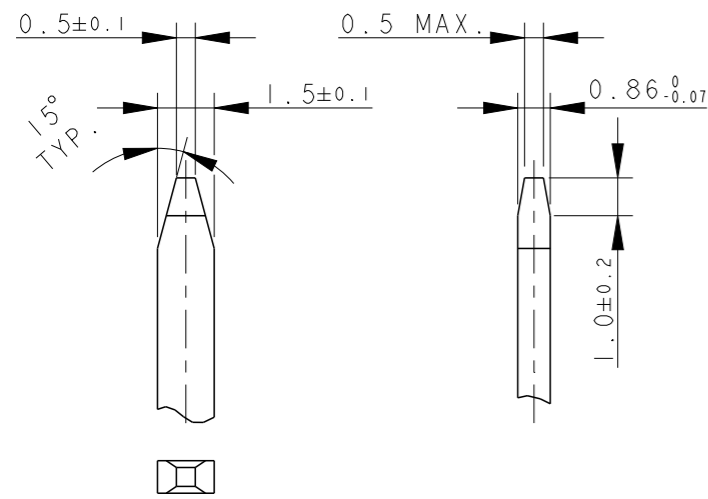
THIS DRAWING IS A CONTROLLED DOCUMENT.		DWN M. PALMA 22-06-2005	 TE Connectivity
DIMENSIONS: mm		CHK R. MARTINI 22-06-2005	
TOLERANCES UNLESS OTHERWISE SPECIFIED:		APVD -	
0 PLC ±- 1 PLC ±0.3 2 PLC ±- 3 PLC ±- 4 PLC ±- ANGLES ±2°		NAME -	
MATERIAL SEE TABLE (VEDI TABELLA)		PRODUCT SPEC 108-20090	AMP SUPERSEAL 1.5 SRS. 6 POSITIONS PLUG ASS'Y
FINISH SEE TABLE (VEDI TABELLA)		APPLICATION SPEC 412-20000	SIZE A3
		WEIGHT 6.55gr	CAGE CODE 00779
		CUSTOMER DRAWING	DRAWING NO C=1745058
		SCALE 3:1	RESTRICTED TO -
		SHEET 1 OF 2	REV D

P	LTR	DESCRIPTION	DATE	DWN	APVD
		SEE SHEET 1			

### COUNTERPART DETAILS



### TAB DETAILS



THIS DRAWING IS A CONTROLLED DOCUMENT.		DWN M. PALMA 22-06-2005	<b>TE Connectivity</b>	
		CHK R. MARTINI 22-06-2005		
DIMENSIONS: mm		APVD -	NAME -	
TOLERANCES UNLESS OTHERWISE SPECIFIED:		PRODUCT SPEC 108-20090	AMP SUPERSEAL 1.5 SRS. 6 POSITIONS PLUG ASS'Y	
<ul style="list-style-type: none"> <li>0 PLC ±-</li> <li>1 PLC ±0.3</li> <li>2 PLC ±-</li> <li>3 PLC ±-</li> <li>4 PLC ±-</li> <li>ANGLES ±2°</li> </ul>		APPLICATION SPEC 412-20000	SIZE A300779	CAGE CODE C-1745058
MATERIAL		WEIGHT -	RESTRICTED TO -	
		CUSTOMER DRAWING		SCALE 5:1
		SHEET 2 OF 2		REV D

MATERIALS: PA66-GF FOR HOUSING  
TIN PLATED BRASS FOR TABS

单击下面可查看定价，库存，交付和生命周期等信息

[>>TE Connectivity\(泰科\)](#)