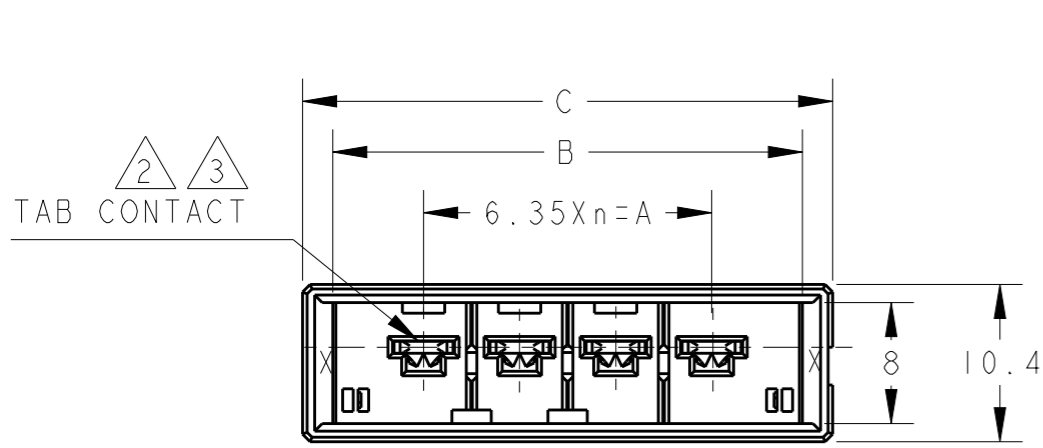
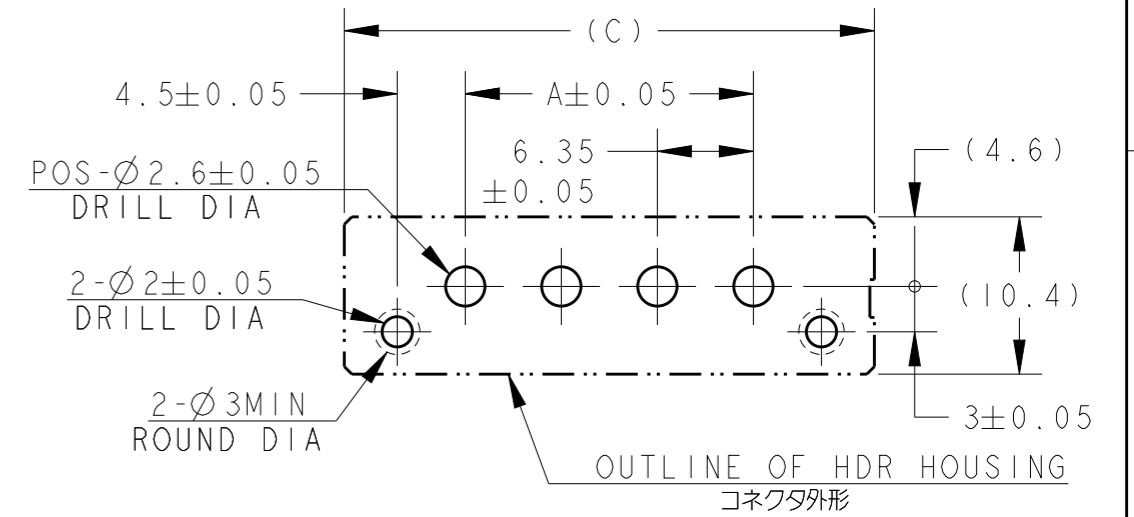
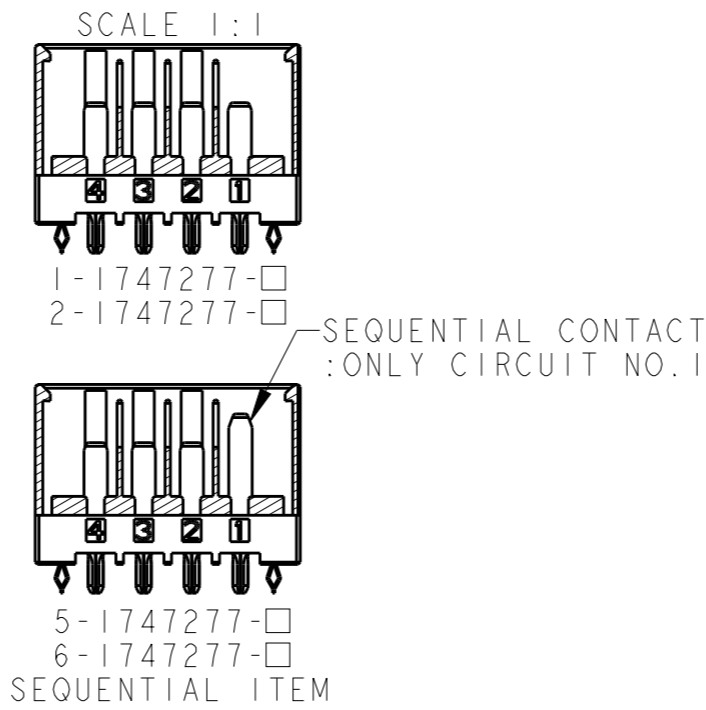


| P | LTR | DESCRIPTION | DATE | DWN | APVD |
|---|-----|---------------------------|-----------|-----|------|
| | B | REVISED PER ECR-19-011328 | 18JUL2019 | K.T | E.1 |

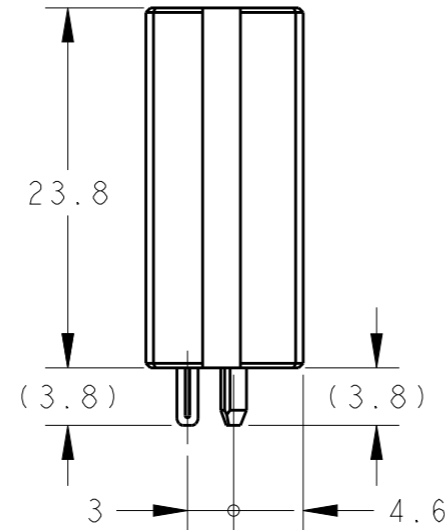
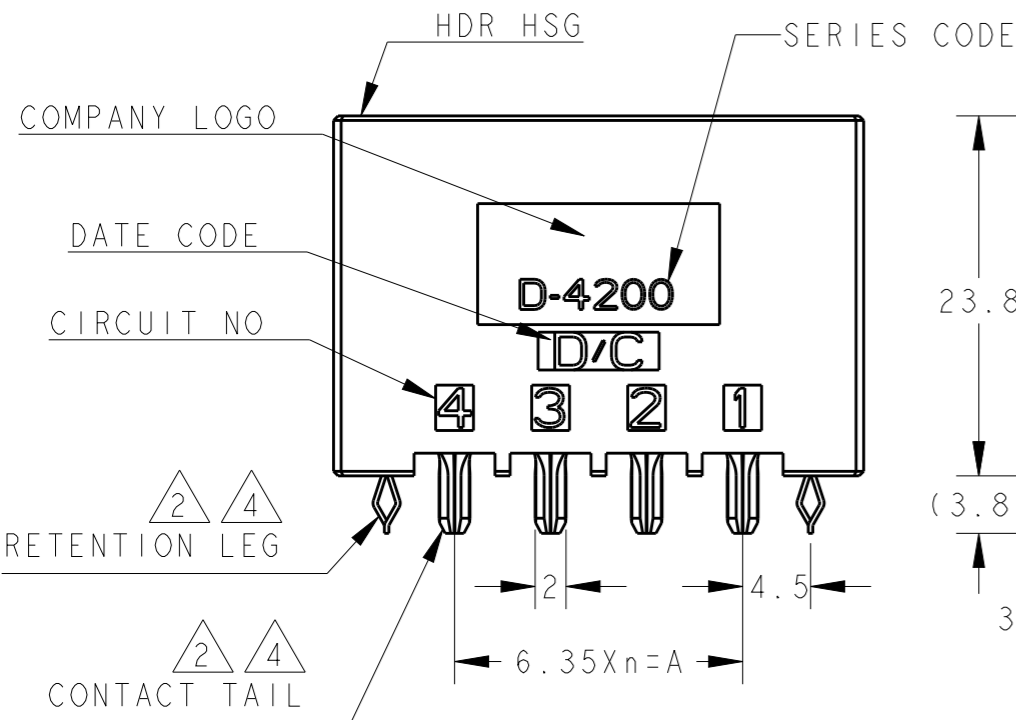


KEY LOCATION VIEW



推奨基板取付穴寸法: コネクタ搭載面 (非累積公差)
PC基板厚: 1.6~2.4±0.1

RECOMMEND PC BOARD HOLE PATTERN : CONNECTOR MOUNT SIDE (NOT ACCUMULATE TOLERANCE)
PC BOARD THICKNESS : 1.6~2.4±0.1



AS SHOWN: 1-1747277-4 (4POS: X-KEY)

| 4 | 3 | | 35.05 | 31.05 | 19.05 | Y | 2-1747277-4 6-1747277-4 |
|-----|---|--------------|-------|-------|-------|-----|----------------------------|
| 4 | 3 | | 35.05 | 31.05 | 19.05 | X | 1-1747277-4 5-1747277-4 |
| 3 | 2 | | 28.70 | 24.70 | 12.70 | Y | 2-1747277-3 6-1747277-3 |
| 3 | 2 | | 28.70 | 24.70 | 12.70 | X | 1-1747277-3 5-1747277-3 |
| 2 | 1 | | 22.35 | 18.35 | 6.35 | Y | 2-1747277-2 |
| 2 | 1 | | 22.35 | 18.35 | 6.35 | X | 1-1747277-2 |
| POS | n | KEY LOCATION | C | B | A | KEY | PART NUMBER |

1. MATERIAL: HOUSING: GLASS FILLED THERMO PLASTIC
POLYESTER (94V-0), COLOR: BLACK
CONTACT: COPPER ALLOY
RETENTION LEG: COPPER ALLOY

- ②. FINISH (ALL OVER): NICKEL PL. 1.3μm MIN
- ③. FINISH (CONTACT AREA): GOLD PL. 0.38μm MIN AFTER ②
- ④. FINISH (CONTACT TAIL & RETENTION LEG): TIN PL. 2μm MIN AFTER ②

THIS DRAWING IS A CONTROLLED DOCUMENT.

| DIMENSIONS: | TOLERANCES UNLESS OTHERWISE SPECIFIED: |
|-------------|--|
| 単位: 概 mm | 一般公差 ±0.3, ±3° |
| | 0 PLC ± |
| | 1 PLC ±0.5 |
| | 2 PLC ±0.13 |
| | 3 PLC ±0.013 |
| | 4 PLC ±0.0001 |
| | ANGLES ± |
| MATERIAL 材料 | FINISH 仕上 |
| material_2 | finish_spec_2 |

| | | |
|------------------|------------|-----------|
| DWN | T. KUDO | 02JUL2004 |
| CHK | D. MITSUGI | 02JUL2004 |
| APVD | D. MITSUGI | 02JUL2004 |
| PRODUCT SPEC | 108-78182 | |
| APPLICATION SPEC | 114-5369 | |
| WEIGHT | - | |
| CUSTOMER DRAWING | | |



NAME 名称 DYNAMIC D4200S 6.35mm PITCH
HDR ASSY (V-TYPE)
2-4POS

| SIZE | CAGE CODE | DRAWING NO | RESTRICTED TO |
|------|-----------|------------|---------------|
| A3 | 00779 | C-1747277 | |

| SCALE 尺度 | SHEET | OF | REV |
|----------|-------|----|-----|
| 2:1 | 1 | 1 | B |

单击下面可查看定价，库存，交付和生命周期等信息

[>>TE Connectivity\(泰科\)](#)