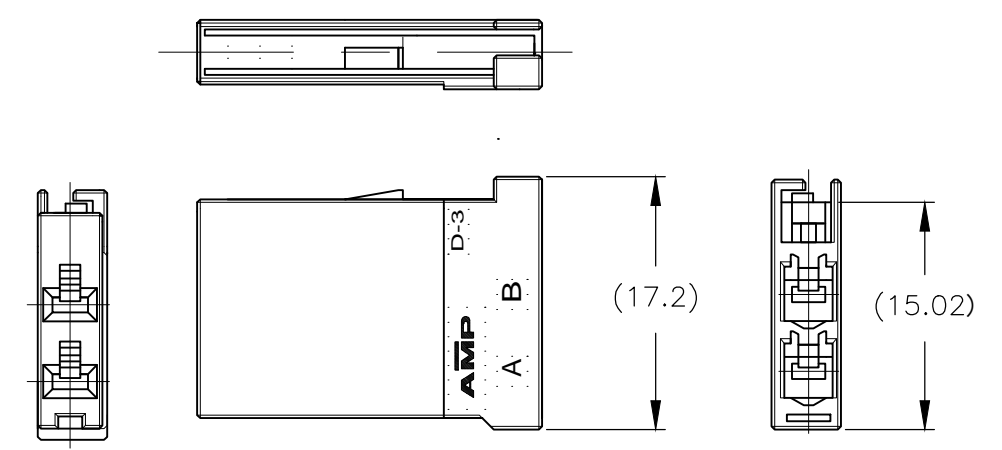
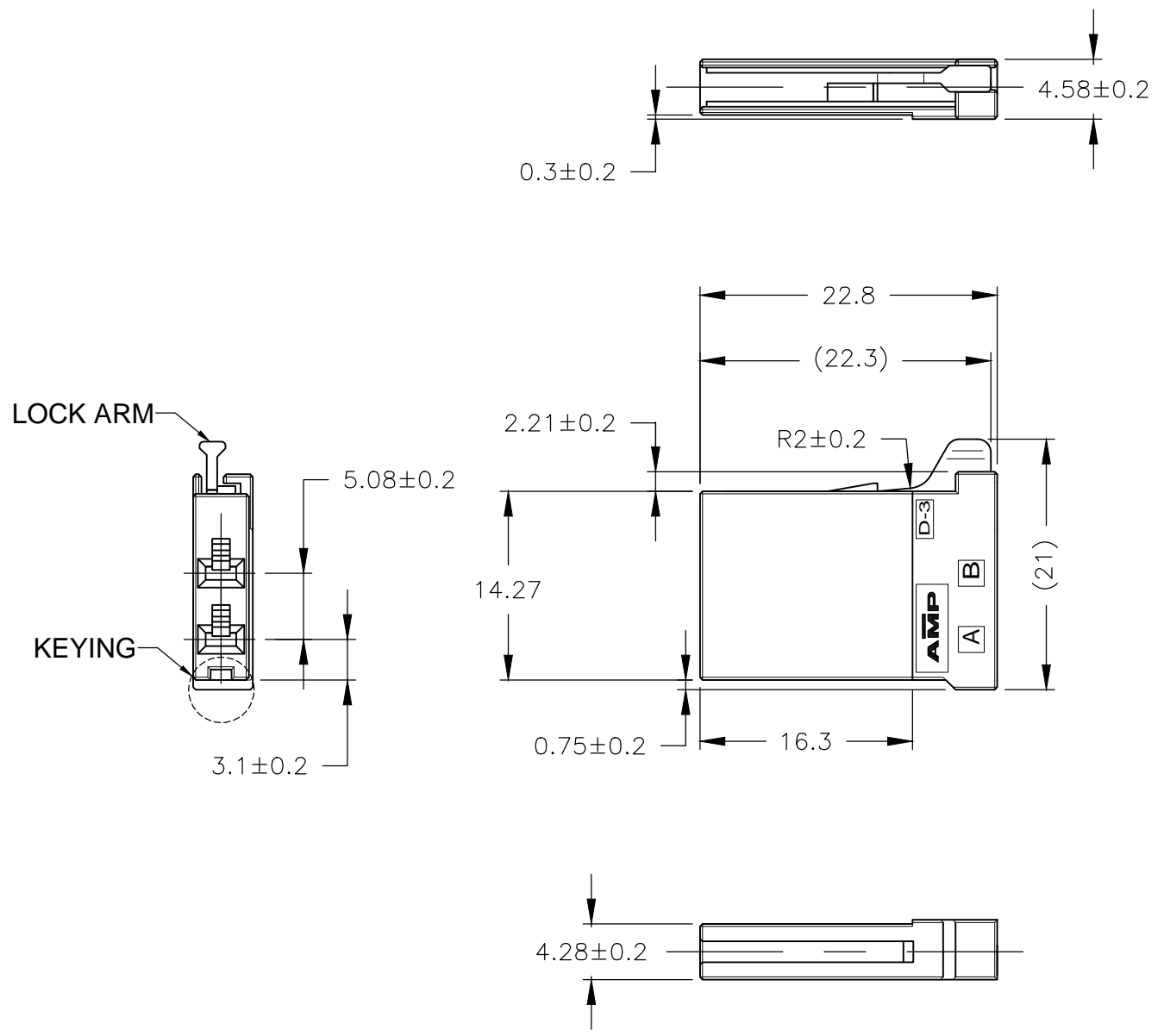
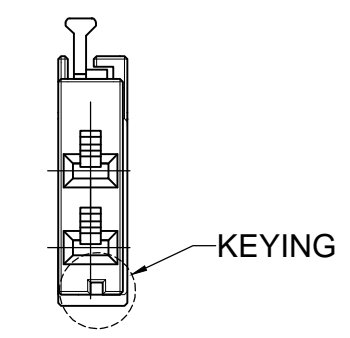


THIS DRAWING IS UNPUBLISHED. RELEASED FOR PUBLICATION  
 © COPYRIGHT - TE Connectivity Ltd. ALL RIGHTS RESERVED.

P	LTR	DESCRIPTION	DATE	DWN	APVD
E		REVISED PER ECR-19-012746	14AUG2019	T.S	E.I



175362-2:AS SHOWN  
 LOCK ARM: W/O


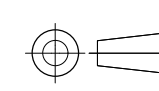


175362-3:AS SHOWN  
 KEYING: Y

175362-1:AS SHOWN  
 KEYING:X  
 LOCK ARM:WITH

1.MATERIAL:GALSS FIELD THERMO PLASTIC POLYESTER  
 2.QUALIFICATION TEST REPORT:501-5013

LOCK ARM	COLOR	KEYING	PART NUMBER
WITH	BLUE	X	2-175362-1
WITH	NATURAL	X	1-175362-1
WITH	BLACK	Y	175362-3
W/O	BLACK	X	175362-2
WITH	BLACK	X	175362-1

THIS DRAWING IS A CONTROLLED DOCUMENT.		DWN T.YONEBAYASHI 18MAR1992	 TE Connectivity	
DIMENSIONS: mm 		CHK S.MANABE 07APL1992		
TOLERANCES UNLESS OTHERWISE SPECIFIED: 0 PLC ± 0.25 1 PLC ± 0.25 2 PLC ± 0.25 3 PLC ± 0.25 4 PLC ± - ANGLES ± 3°		APVD S.MANABE 07APL1992	NAME DYNAMIC D3500 RECEPTACLE HOUSING 2POSN	
MATERIAL -		FINISH -	PRODUCT SPEC 108-5349	RESTRICTED TO -
		WEIGHT 0	APPLICATION SPEC -	SIZE A3
		CUSTOMER DRAWING		CAGE CODE 00779
		SCALE 2:1		DRAWING NO C-175362
		SHEET 1 OF 1		REV E

单击下面可查看定价，库存，交付和生命周期等信息

[>>TE Connectivity\(泰科\)](#)