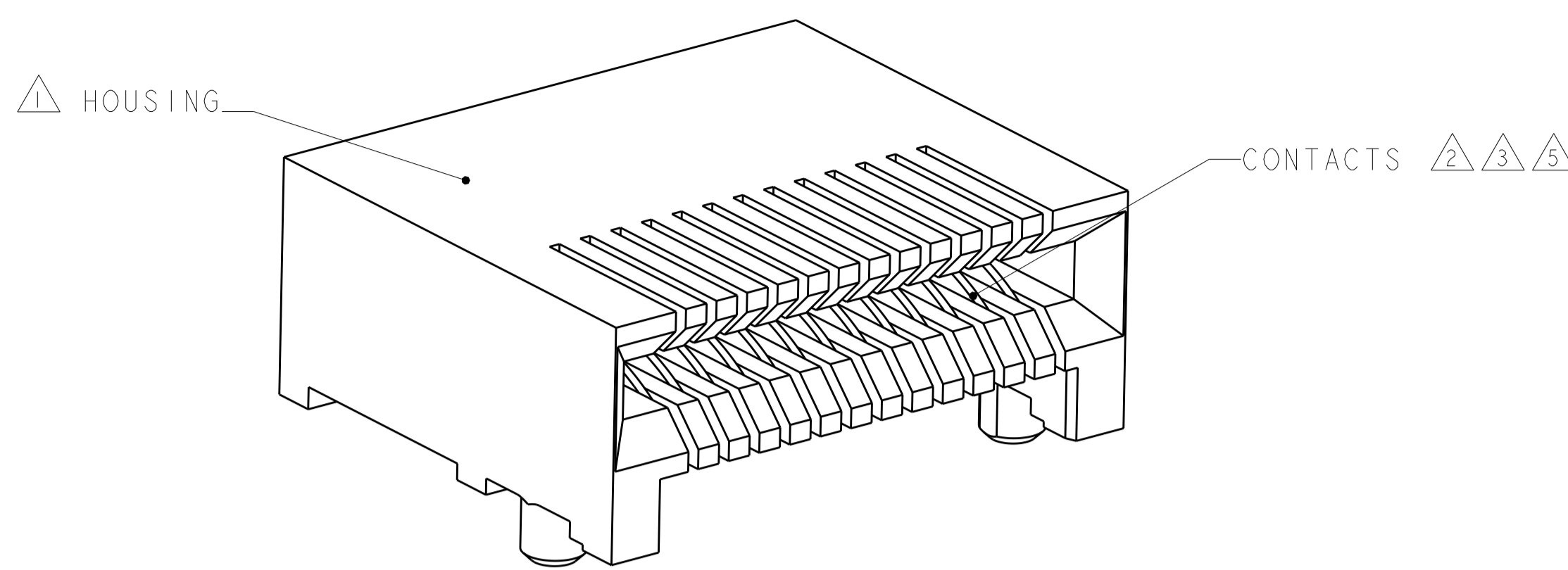
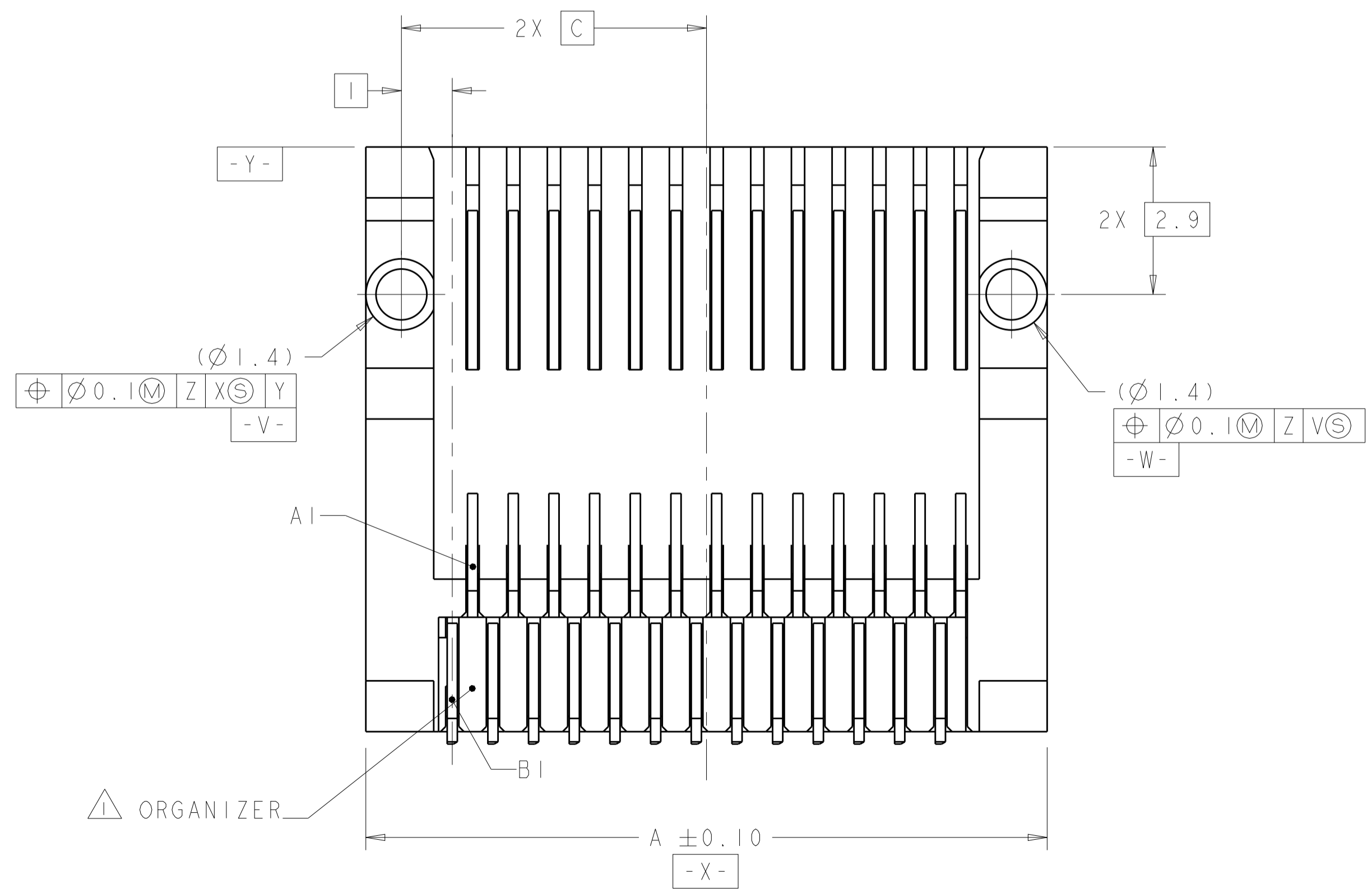
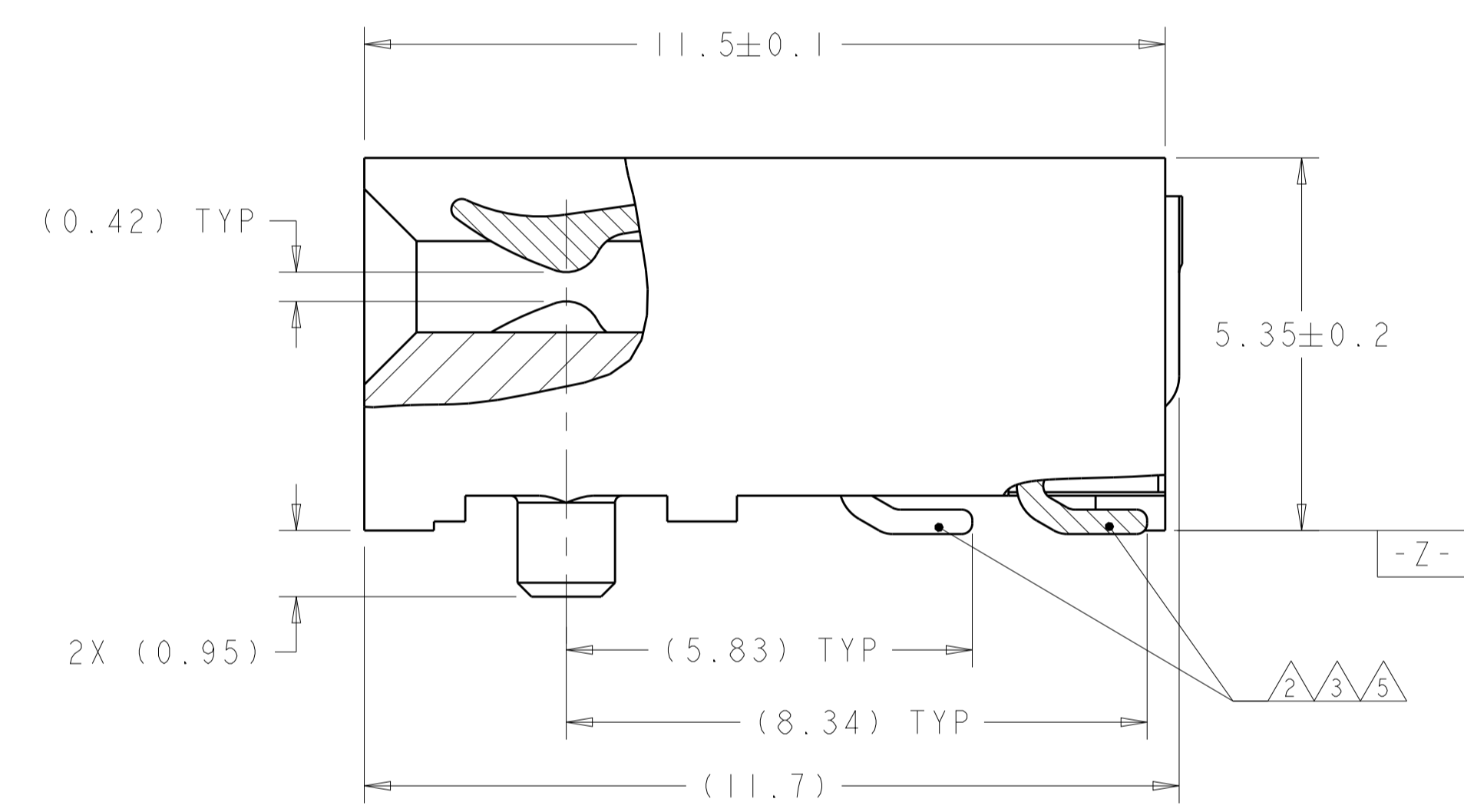
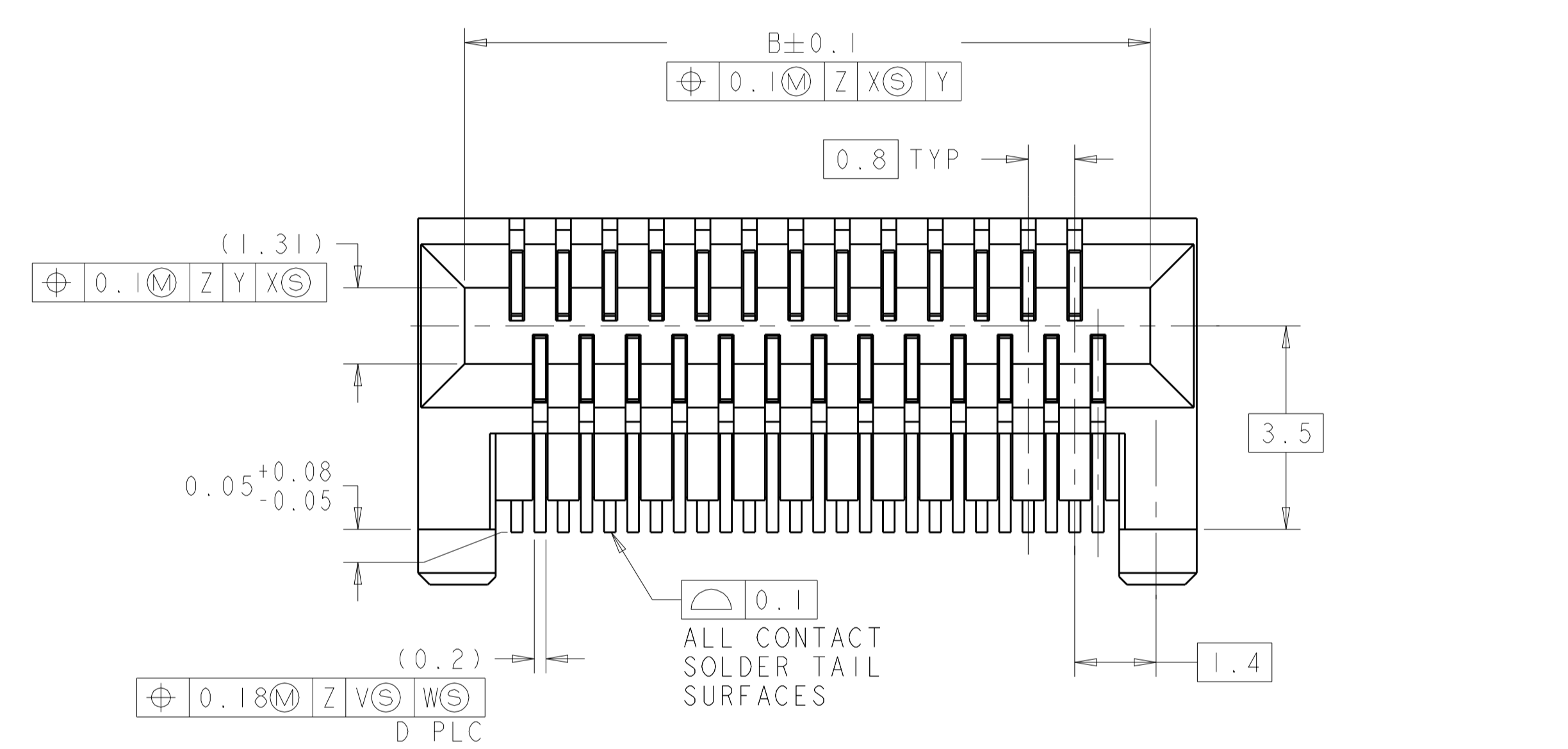


LOC	DIST	REVISIONS			
GP	00	REV	DATE	BY	CHK
		A2	REVISD PER ECO-11-004835	11MAR2011	RK HMR
		A3	REVISD PER ECO-14-010818	27OCT2016	RG SH
		B	REVISD PER ECO-17-017261	02MAY2018	TX SH



26 POSITION RECEPTACLE
 SCALE 9:1

- 1 MATERIAL: LCP, BLACK.
- 2 MATERIAL: PHOSPHOR BRONZE PER ASTM B 103.
- 3 FINISH: 0.76µm MIN GOLD PLATE PER ASTM B 488, APPLIES TO INTERFACE AREA AND 2.03µm MIN TIN PLATE SOLDER TAILS, ALL OVER 3.81µm MIN NICKEL PLATE PER QQ-N-290.
- 4 DATUM AND BASIC DIMENSION ESTABLISHED BY CUSTOMER.
- 5 FINISH: 0.38µm MIN GOLD PLATE PER ASTM B 488, APPLIES TO INTERFACE AREA AND 2.03µm MIN TIN PLATE SOLDER TAILS, ALL OVER 3.81µm MIN NICKEL PLATE PER QQ-N-290.



FINISH	PACKAGING	DIMENSIONS						PART NUMBER
		E	D	C	B	A	POSN	
5	TAPE AND REEL	16.80	38	8.40	16.60	18.20	38	1-1761987-8
		16.00	36	8.00	15.80	17.40	36	1-1761987-7
		12.00	26	6.00	11.80	13.40	26	1-1761987-6
	TUBE	28.80	68	14.80	28.60	30.20	68	1-1761987-5
		16.80	38	8.40	16.60	18.10	38	1-1761987-4
		23.20	54	11.60	23.00	24.60	54	1-1761987-3
3	TAPE AND REEL	16.00	36	8.00	15.80	17.40	36	1761987-1
		12.00	26	6.00	11.80	13.40	26	1761987-0
		28.80	68	14.80	28.60	30.20	68	1761987-6
	TUBE	16.80	38	8.40	16.60	18.20	38	1761987-5
		23.20	54	11.60	23.00	24.60	54	1761987-4
		21.60	50	10.80	21.40	23.00	50	1761987-3
		16.00	36	8.00	15.80	17.40	36	1761987-2
		12.00	26	6.00	11.80	13.40	26	1761987-1

THIS DRAWING IS A CONTROLLED DOCUMENT.

OWNER: M. E. CONHEP, 28JUN2005
 CHK: R. R. HENRY, 28JUN2005
 APVD: R. R. HENRY, 28JUN2005

DIMENSIONS: mm
 TOLERANCES UNLESS OTHERWISE SPECIFIED:
 0 PLC ±
 1 PLC ±
 2 PLC ±
 3 PLC ±
 4 PLC ±
 ANGLES ±

MATERIAL: SEE NOTES
 FINISH: SEE TABLE

WEIGHT: -
 CUSTOMER DRAWING

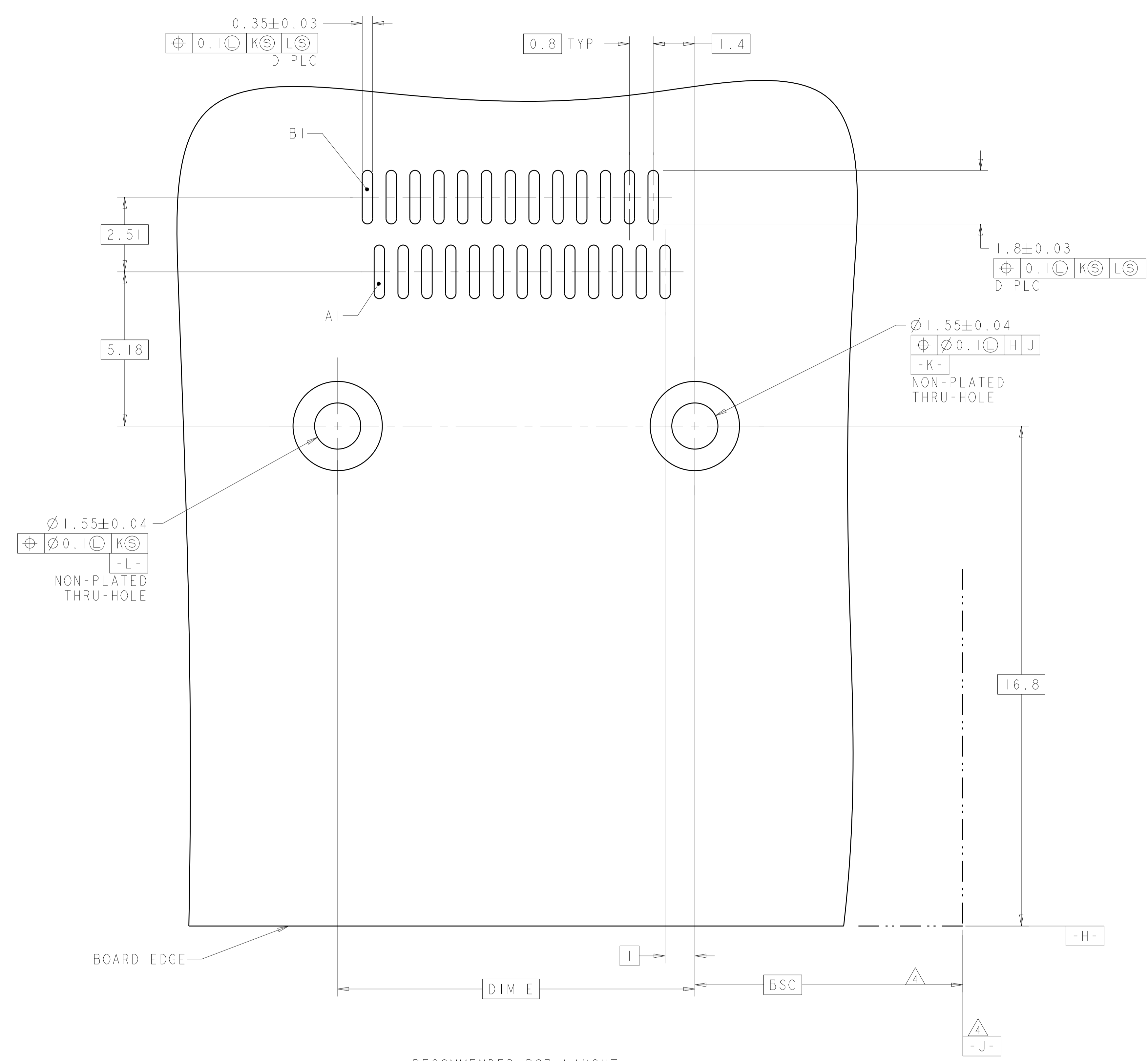
DATE: 28JUN2005
 NAME: EVERCLEAR Mini-SAS RECEPTACLE CONNECTOR ASSEMBLY, RIGHT ANGLE, SURFACE MOUNT
 PRODUCT SPEC: 108-2234
 APPLICATION SPEC: -

SIZE: A1
 CAGE CODE: 100779
 DRAWING NO: 1761987

RESTRICTED TO: -
 SCALE: 12:1
 SHEET: 1 OF 2
 REV: B

TE Connectivity

LOC	DIST	REVISIONS					
GP	00	P	LTN	DESCRIPTION	DATE	DMN	APVD
		-		SEE SHEET 1	-	-	-



RECOMMENDED PCB LAYOUT

THIS DRAWING IS A CONTROLLED DOCUMENT.		DMN M.E. CONHEB 28JUN2005	TE Connectivity														
DIMENSIONS: mm		CHK R.R. HENRY 28JUN2005															
TOLERANCES UNLESS OTHERWISE SPECIFIED:		APVD R.R. HENRY 28JUN2005	NAME EVERCLEAR Mini-SAS RECEPTACLE CONNECTOR ASSEMBLY, RIGHT ANGLE, SURFACE MOUNT														
<table border="1"> <tr><td>0 PLC</td><td>±</td></tr> <tr><td>1 PLC</td><td>±</td></tr> <tr><td>2 PLC</td><td>±</td></tr> <tr><td>3 PLC</td><td>±</td></tr> <tr><td>4 PLC</td><td>±</td></tr> <tr><td>ANGLES</td><td>±</td></tr> <tr><td>FINISH</td><td>±</td></tr> </table>		0 PLC	±	1 PLC	±	2 PLC	±	3 PLC	±	4 PLC	±	ANGLES	±	FINISH	±	PRODUCT SPEC 108-2234	SIZE A100779
0 PLC	±																
1 PLC	±																
2 PLC	±																
3 PLC	±																
4 PLC	±																
ANGLES	±																
FINISH	±																
MATERIAL		APPLICATION SPEC	CAGE CODE DRAWING NO 1761987														
		WEIGHT	RESTRICTED TO														
		CUSTOMER DRAWING	SCALE 12:1 SHEET 2 OF 2 REV B														

单击下面可查看定价，库存，交付和生命周期等信息

[>>TE Connectivity\(泰科\)](#)