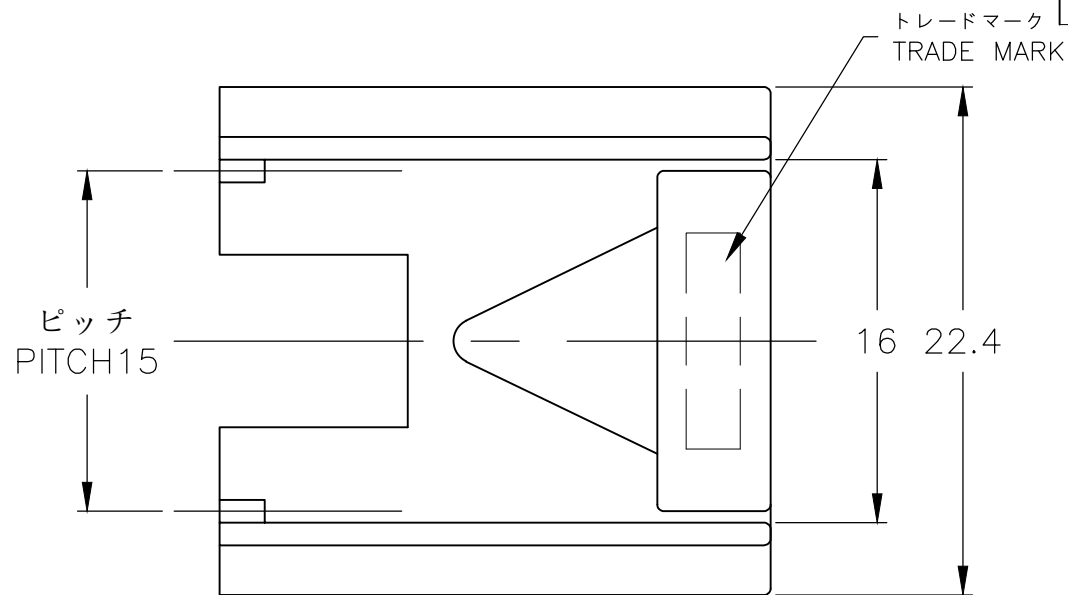
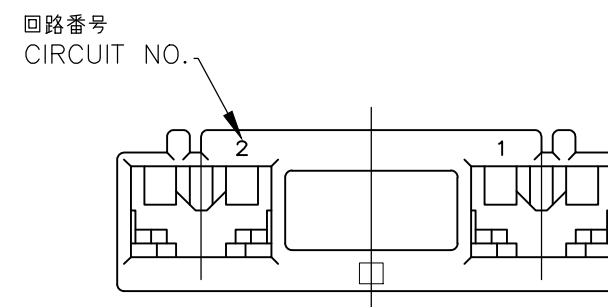
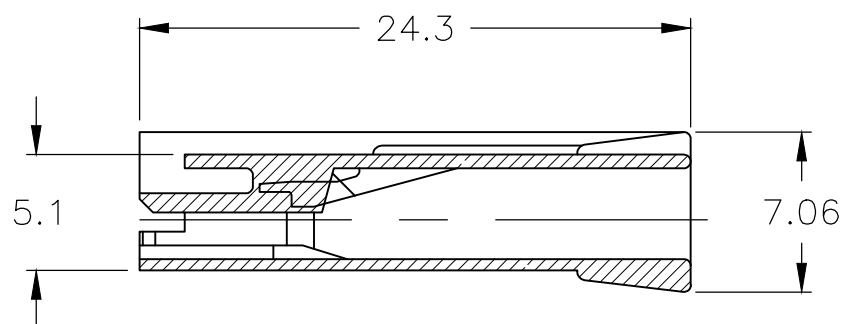
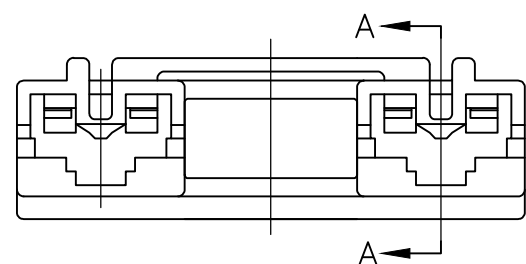


THIS DRAWING IS UNPUBLISHED. RELEASED FOR PUBLICATION
 © COPYRIGHT - By - ALL RIGHTS RESERVED.

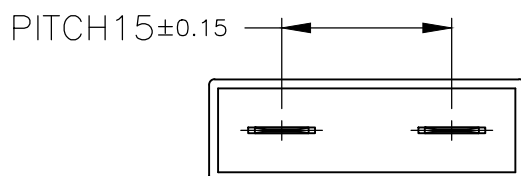
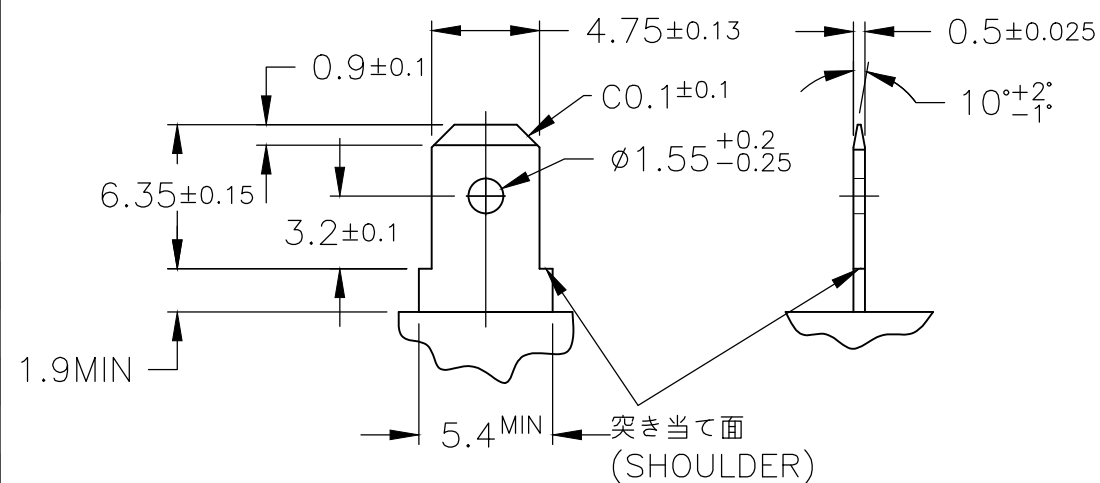
REVISIONS 変更				
P	LTR	DESCRIPTION	DATE	APVD
	B1	REVISED PER ECR-18-011401	24JUL2018	BDA DS



NOTES
 1. APPLICABLE CONTACT PART NUMBER : 170324-X, 170325-X, 170326-X
 △ BLUE PARTS MAY APPEAR MEDIUM BLUE TO LIGHT BLUE TO LIGHT GRAY IN COLOR AND MAY ALSO EXHIBIT A MARBLING EFFECT



タブ推奨図
RECOMMENDED TAB



SUPERSEDED BY 2-176498-6

66NYLON UL94V-0 Natural	BLUE	2-176498-6
66NYLON (UL94V-0)	△ BLUE	-1-176498-6-
66NYLON (UL94V-2)	黄色 (YELLOW)	3-176498-4
66NYLON (UL94V-0)	青色 (BLUE)	176498-6
	黄色 (YELLOW)	176498-4
	黒色 (BLACK)	176498-2
	自然色 (NATURAL)	176498-1
材料 (MATERIAL)	色調 (COLOR)	型番(PART NUMBER)

THIS DRAWING IS A CONTROLLED DOCUMENT.		DWN J.SATO	07SEP2007	TE Connectivity Ltd. 187 SERIES POSITIVE LOCK MK-II 2P REC HSG	
DIMENSIONS: 単位: 耗 mm		CHK S.MANABE	07SEP2007		
TOLERANCES UNLESS OTHERWISE SPECIFIED: 一般公差		APVD S.MANABE	07SEP2007		
0 PLC ± 1 PLC 10以下 ±0.2 20 30以下 ±0.25 30 100以下 ±0.3 4 PLC ANGLES ±3°		NAME 名称			
MATERIAL 材料 SEE TABLE		PRODUCT SPEC 製品規格 108-5126	APPLICATION SPEC 取付適用規格	SIZE	CAGE CODE
		WEIGHT		A3	00779
		CUSTOMER DRAWING		DRAWING NO 番号	RESTRICTED TO
				C-176498	
				SCALE 尺度	SHEET
				3:1	1 OF 1
				REV	B1

单击下面可查看定价，库存，交付和生命周期等信息

[>>TE Connectivity\(泰科\)](#)