

4

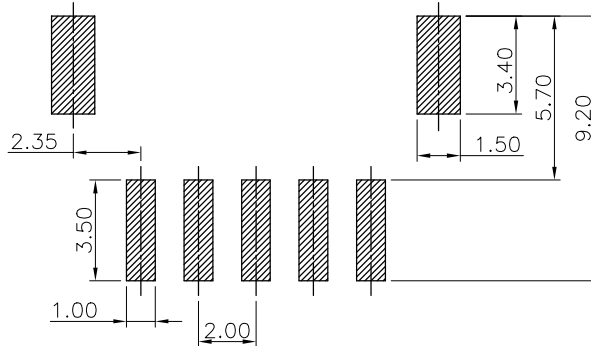
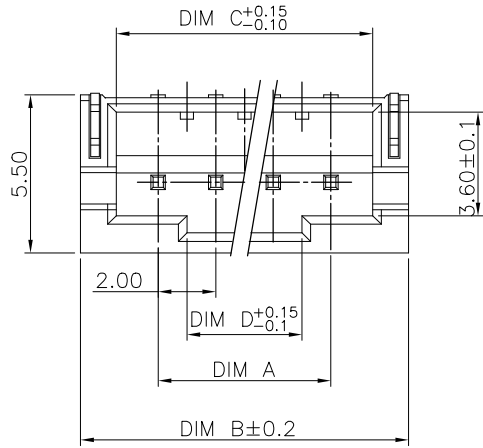
3

2

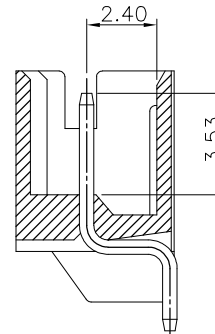
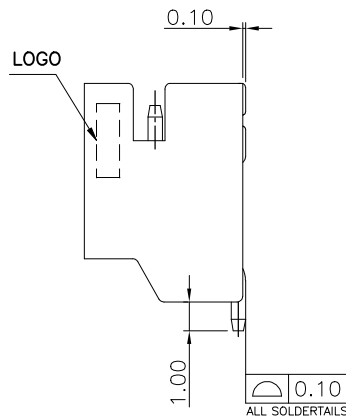
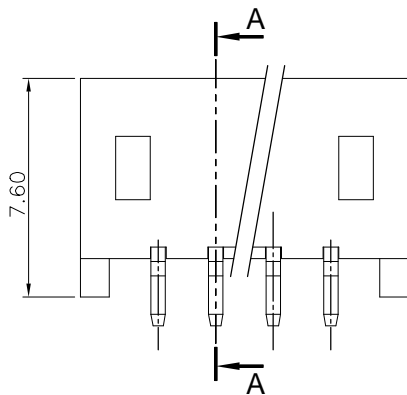
1

THIS DRAWING IS UNPUBLISHED. RELEASED FOR PUBLICATION
 © COPYRIGHT BY TYCO ELECTRONICS CORPORATION. ALL RIGHTS RESERVED.

| LOC | DIST | REVISIONS | | | |
|-----|------|--------------------------|---------|-----|------|
| P | LTR | DESCRIPTION | DATE | DWN | APVD |
| DW | - | | | | |
| | A5 | RELEASED (ECO-19-002414) | 21FEB19 | K.G | W.H |



RECOMMENDED PCB LAYOUT



SECTION A-A

| 28.00 | 32.90 | 35.40 | 30.00 | 16P | 3-1775469-6 | |
|-----------|-------|-------|-------|-------|-------------|-------------|
| 26.00 | 30.90 | 33.40 | 28.00 | 15P | 3-1775469-5 | |
| 24.00 | 28.90 | 31.40 | 26.00 | 14P | 3-1775469-4 | |
| 22.00 | 26.90 | 29.40 | 24.00 | 13P | 3-1775469-3 | |
| 20.00 | 24.90 | 27.40 | 22.00 | 12P | 3-1775469-2 | |
| 18.00 | 22.90 | 25.40 | 20.00 | 11P | 3-1775469-1 | |
| 16.00 | 20.90 | 23.40 | 18.00 | 10P | 3-1775469-0 | |
| 14.00 | 18.90 | 21.40 | 16.00 | 9P | 2-1775469-9 | |
| 12.00 | 16.90 | 19.40 | 14.00 | 8P | 2-1775469-8 | |
| 10.00 | 14.90 | 17.40 | 12.00 | 7P | 2-1775469-7 | |
| 8.00 | 12.90 | 15.40 | 10.00 | 6P | 2-1775469-6 | |
| 6.00 | 10.90 | 13.40 | 8.00 | 5P | 2-1775469-5 | |
| 4.00 | 8.90 | 11.40 | 6.00 | 4P | 2-1775469-4 | |
| 2.00 | 6.90 | 9.40 | 4.00 | 3P | 2-1775469-3 | |
| 0.60 | 4.90 | 7.40 | 2.00 | 2P | 2-1775469-2 | |
| 28.00 | 32.90 | 35.40 | 30.00 | 16P | 1-1775469-6 | |
| 26.00 | 30.90 | 33.40 | 28.00 | 15P | 1-1775469-5 | |
| 24.00 | 28.90 | 31.40 | 26.00 | 14P | 1-1775469-4 | |
| 22.00 | 26.90 | 29.40 | 24.00 | 13P | 1-1775469-3 | |
| 20.00 | 24.90 | 27.40 | 22.00 | 12P | 1-1775469-2 | |
| 18.00 | 22.90 | 25.40 | 20.00 | 11P | 1-1775469-1 | |
| 16.00 | 20.90 | 23.40 | 18.00 | 10P | 1-1775469-0 | |
| 14.00 | 18.90 | 21.40 | 16.00 | 9P | 1775469-9 | |
| 12.00 | 16.90 | 19.40 | 14.00 | 8P | 1775469-8 | |
| 10.00 | 14.90 | 17.40 | 12.00 | 7P | 1775469-7 | |
| 8.00 | 12.90 | 15.40 | 10.00 | 6P | 1775469-6 | |
| 6.00 | 10.90 | 13.40 | 8.00 | 5P | 1775469-5 | |
| 4.00 | 8.90 | 11.40 | 6.00 | 4P | 1775469-4 | |
| 2.00 | 6.90 | 9.40 | 4.00 | 3P | 1775469-3 | |
| 0.60 | 4.90 | 7.40 | 2.00 | 2P | 1775469-2 | |
| THICKNESS | DIM D | DIM C | DIM B | DIM A | POS | PART NUMBER |

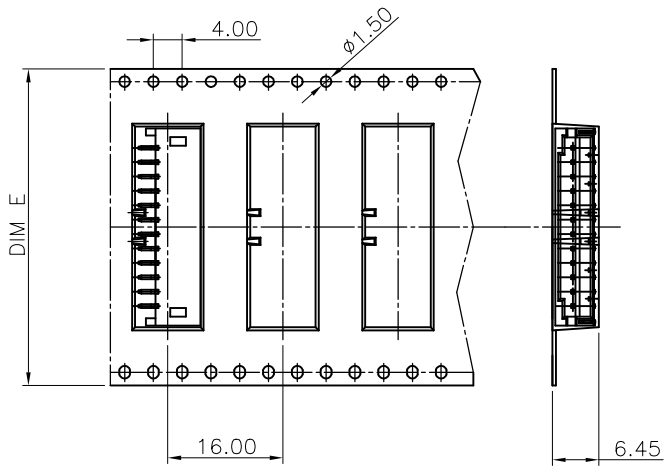
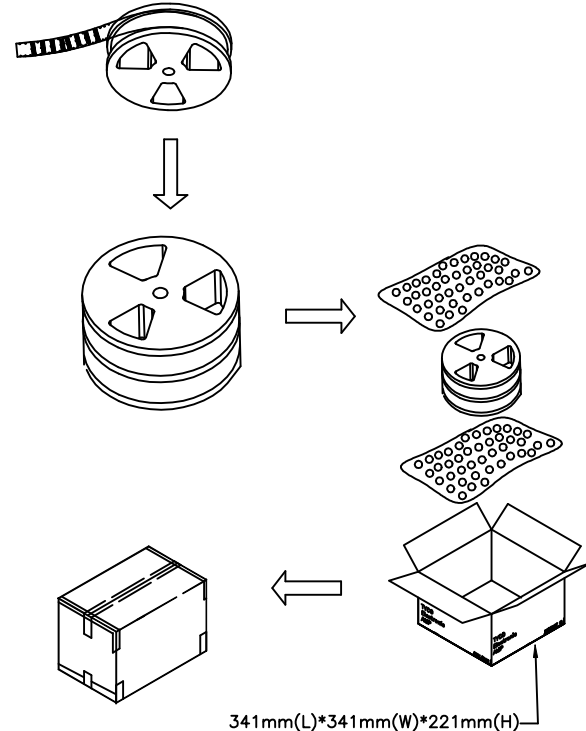
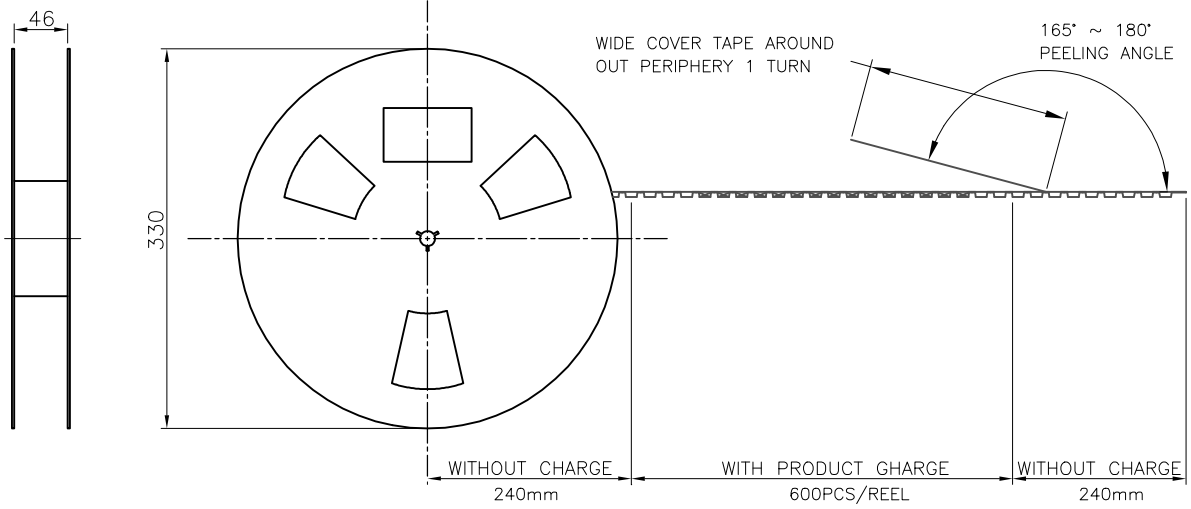
NOTE:

- MATERIAL :
HOUSING : PA9T, UL 94V-0, COLOR: NATURAL.
CONTACT : BRASS, THICKNESS=0.50mm.
- FINISH:
CONTACT : Δ 2 μ m [80u"] MIN. MATTE TIN PLATED OVER
1.27 μ m [50u"] MIN. NICKEL UNDERPLATED ALL OVER.
 Δ GOLD FLASH OVER 1.27 μ m [50u"] MIN. NICKEL UNDERPLATED ALL OVER.
- REFLOW SOLDER CAPABLE TO 260°C PER TE CONNECTIVITY SPEC 109-201, CONDITION B.

| | | | | | | |
|--|--|--|--|--------------------|-------------------------|--------------------|
| THIS DRAWING IS A CONTROLLED DOCUMENT. | | DWN O. HU 01NOV2006 | | | | |
| | | CHK S. HOU 01NOV2006 | | | | |
| DIMENSIONS: MM | | APVD W.J. KE 01NOV2006 | NAME | | | |
| | | PRODUCT SPEC 108-57100 | HPI CONN., 2.0MM PITCH, R/A, SMT TYPE | | | |
| MATERIAL SEE NOTE | | QUALIFICATION TEST REPORT 501-57058 | SIZE A3 | CAGE CODE 00779 | DRAWING NO C=1775469 | RESTRICTED TO - |
| FINISH SEE NOTE | | WEIGHT -- | SCALE - | | SHEET 1 OF 2 | REV A5 |
| CUSTOMER DRAWING | | | | | | |

THIS DRAWING IS UNPUBLISHED. RELEASED FOR PUBLICATION
 © COPYRIGHT BY TYCO ELECTRONICS CORPORATION. ALL RIGHTS RESERVED.

| LOC | DIST | REVISIONS | | | |
|-----|------|--------------|------|-----|------|
| P | LTR | DESCRIPTION | DATE | DWN | APVD |
| DW | - | SEE SHEET 1. | | | |



| DIM E | PCS/CARTON | PCS/REEL | POS | PART NUMBER |
|-------|------------|----------|-----|-------------|
| 56.00 | 1,800 | 600 | 16P | 3-1775469-6 |
| | 1,800 | 600 | 15P | 3-1775469-5 |
| | 1,800 | 600 | 14P | 3-1775469-4 |
| | 1,800 | 600 | 13P | 3-1775469-3 |
| 44.00 | 2,400 | 600 | 12P | 3-1775469-2 |
| | 2,400 | 600 | 11P | 3-1775469-1 |
| | 2,400 | 600 | 10P | 3-1775469-0 |
| | 2,400 | 600 | 9P | 2-1775469-9 |
| | 2,400 | 600 | 8P | 2-1775469-8 |
| | 2,400 | 600 | 7P | 2-1775469-7 |
| 32.00 | 3,000 | 600 | 6P | 2-1775469-6 |
| | 3,000 | 600 | 5P | 2-1775469-5 |
| | 3,000 | 600 | 4P | 2-1775469-4 |
| | 3,000 | 600 | 3P | 2-1775469-3 |
| 56.00 | 3,000 | 600 | 2P | 2-1775469-2 |
| | 1,500 | 600 | 16P | 1-1775469-6 |
| | 1,800 | 600 | 15P | 1-1775469-5 |
| | 1,800 | 600 | 14P | 1-1775469-4 |
| 44.00 | 1,800 | 600 | 13P | 1-1775469-3 |
| | 2,400 | 600 | 12P | 1-1775469-2 |
| | 2,400 | 600 | 11P | 1-1775469-1 |
| | 2,400 | 600 | 10P | 1-1775469-0 |
| | 2,400 | 600 | 9P | 1775469-9 |
| | 2,400 | 600 | 8P | 1775469-8 |
| 32.00 | 2,400 | 600 | 7P | 1775469-7 |
| | 3,000 | 600 | 6P | 1775469-6 |
| | 3,000 | 600 | 5P | 1775469-5 |
| | 3,000 | 600 | 4P | 1775469-4 |
| 32.00 | 3,000 | 600 | 3P | 1775469-3 |
| | 3,000 | 600 | 2P | 1775469-2 |

THIS DRAWING IS A CONTROLLED DOCUMENT.

| | | | | |
|------------------|---|---|--|-----------------|
| DIMENSIONS: MM | TOLERANCES UNLESS OTHERWISE SPECIFIED: 0 PLC ± - 1 PLC ± - 2 PLC ± - 3 PLC ± - 4 PLC ± - ANGLES ± - | DWN O. HU 01NOV2006 CHK S. HOU 01NOV2006 APVD W.J. KE 01NOV2006 | TE Connectivity HPI CONN., 2.0MM PITCH, R/A, SMT TYPE | |
| MATERIAL - | FINISH - | PRODUCT SPEC - APPLICATION SPEC - WEIGHT - | NAME - | RESTRICTED TO - |
| CUSTOMER DRAWING | | SCALE - | SHEET 2 OF 2 | REV A5 |

SIZE A3 CAGE CODE G=1775469

单击下面可查看定价，库存，交付和生命周期等信息

[>>TE Connectivity\(泰科\)](#)