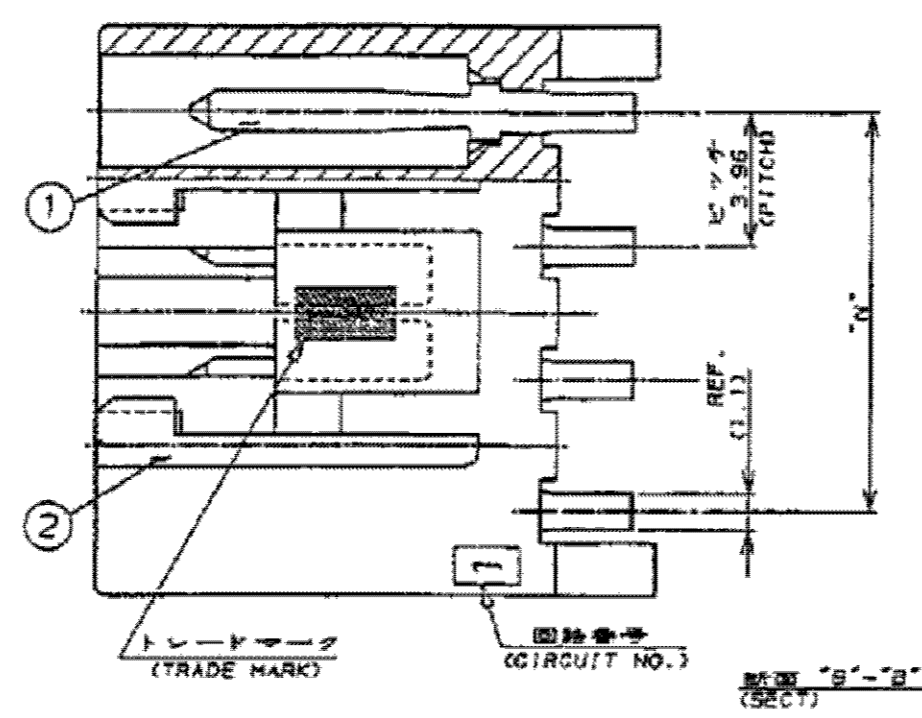
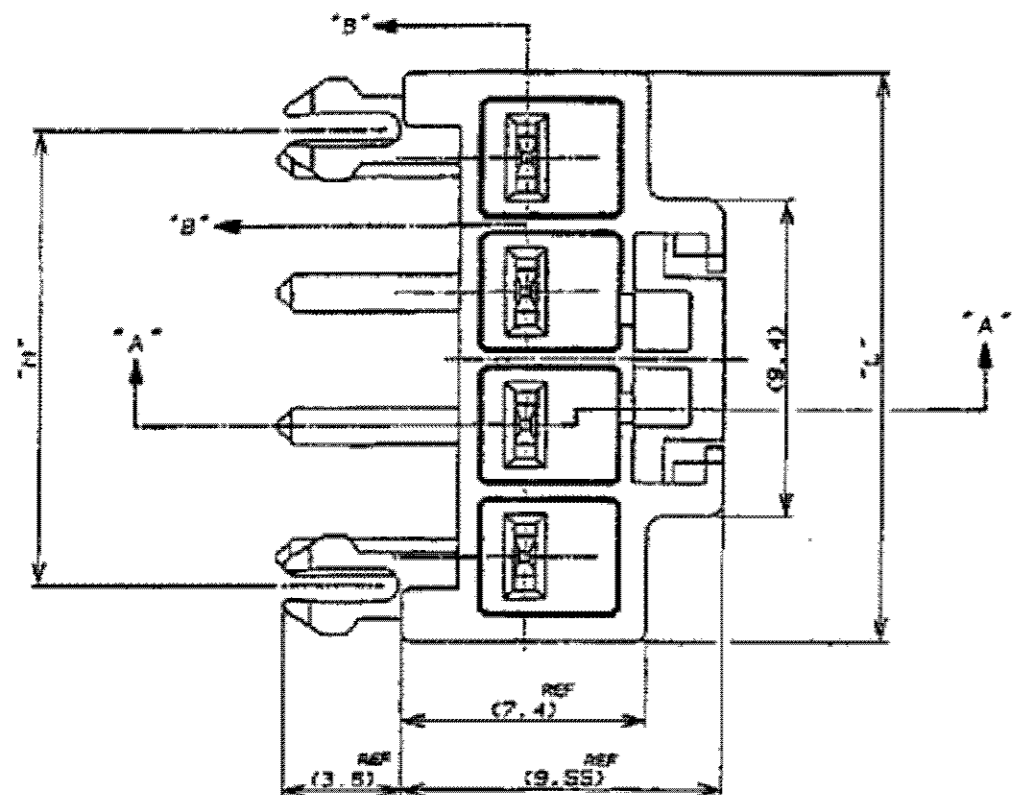


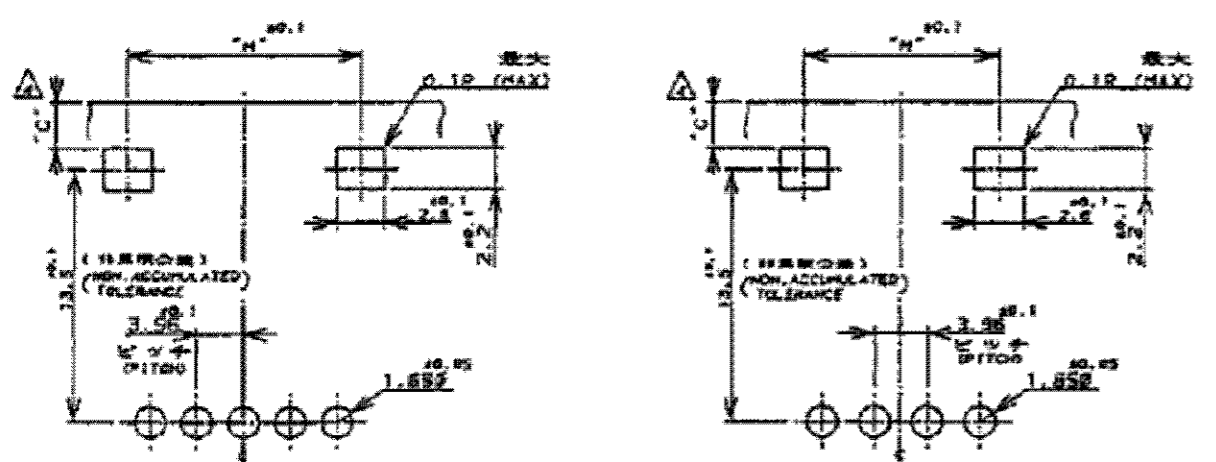
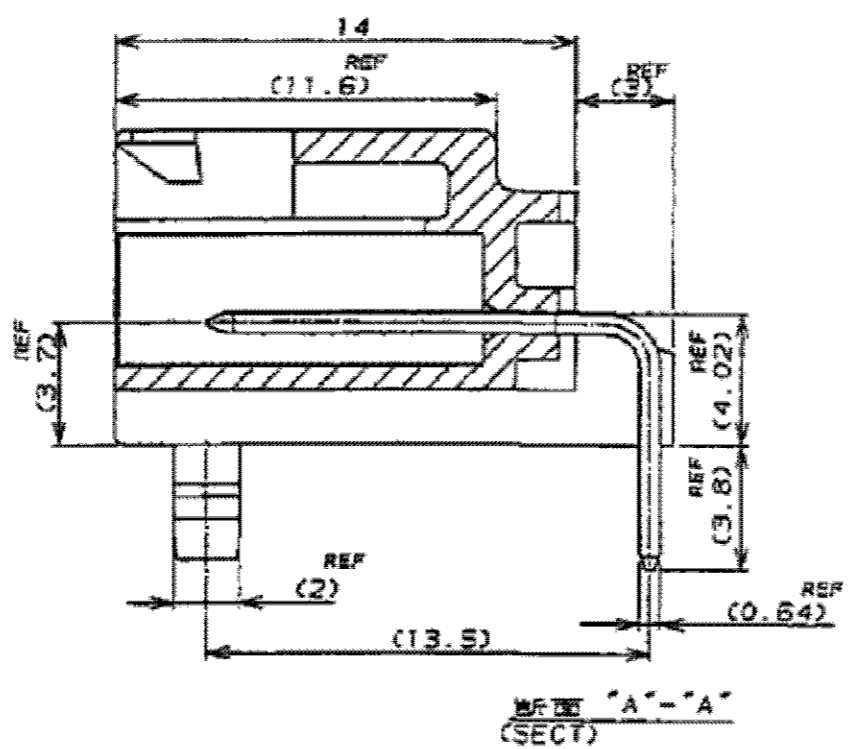
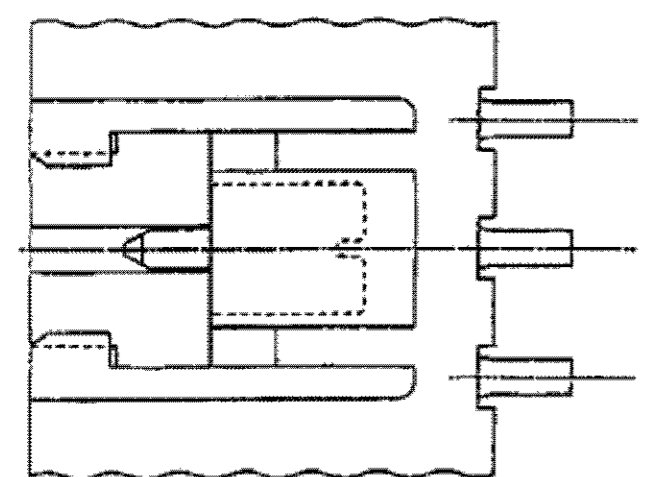
THIS DRAWING IS UNPUBLISHED. RELEASED FOR PUBLICATION
 © COPYRIGHT BY TYCO ELECTRONICS CORPORATION. ALL RIGHTS RESERVED.

LOC	DIST	REVISIONS					
J	-	P	LTR	DESCRIPTION	DATE	DWN	APVD
		F		REVISED ECR-08-005781	05MAR'08	J.S	S.M
		F1		REVISED PER ECO-10-000444	01FEB'10	KK	HMR



- 注:
- 1. 適用製品規格 108-5302
 - △ 5極ハウジングの回路NO.2と4のコンタクト2本抜き仕様
 - 3. かん合相手製品型番
3.96MM ピッチ2極プラグハウジング:表2参照
リセコンタクト: 175151-X (AWG#26-#22)
: 175152-X (AWG#20-#16)
 - △ C寸法は基板穴をパンチ加工する場合、基板にクラックが発生しない様、寸法設定してください。
 - △ 4極ハウジングの回路NO.1と3のコンタクト2本抜き仕様
 - △ 4極ハウジングの回路NO.2と4のコンタクト2本抜き仕様

- NOTES:
- 1. PRODUCT SPEC 108-5302
 - △ CIRCUIT NO.2 AND 4 ARE VACANT OF 5POS HOUSING
 - 3. MATING CONN. P/N
3.96MM PITCH 2POS PLUG HSG: SEE TABLE 2
REC CONTACT: 175151-X (AWG#26-#22)
: 175152-X (AWG#20-#16)
 - △ PLEASE DECIDE THE DIMENSION C SO THAT PREVENT CRACKING OF P.C.B
 - △ CIRCUIT NO.1 AND 3 ARE VACANT OF 4POS HOUSING
 - △ CIRCUIT NO.2 AND 4 ARE VACANT OF 4POS HOUSING
 - △ OBSOLETE PARTS: OBSOLETE CIS STREAMLINING PER D.RENAUD/D.SINISI



型番 178498 対象 (APPLIED P/N 178498) 型番 178497 対象 (APPLIED P/N 178497)
 178499 対象 (APPLIED P/N 178499)

表1 TABLE 1

NO.	名称 (NAME)	材料 (MATERIAL)
①	タブ (TAB)	黄銅 錫めっき (BRASS TIN PLATED)
②	ヘッダーハウジング (HEADER HOUSING)	6/6ナイロンガラス強化(94V-0) (6/6 NYLON GLASS FILLED)

基板レイアウト寸法 (P.C.B LAYOUT)
 適用基板厚 1.6 (APPLICABLE P.C.B THK 1.6)

表2 TABLE 2

ヘッダーアセンブリP/N (HDR ASS'Y P/N)	極数 (POS.)	適合相手 P/N (MATING CONN. P/N)
178497	4	178481
178498	5	178482
178499	6	178483

SUPERSEDED BY 178497-1	寸法 (DIMENSION)			3.96MMピッチ4極 (3.96MM PITCH 4POS)	自然色 (NATURAL)	0-178497-1
	11.88	13.58	16.98			
OBSOLETE	↑ ↑ ↑			7.92MMピッチ2極 (7.92MM PITCH 2POS)	青 (BLUE)	5-178497-6
	↑ ↑ ↑					
OBSOLETE	↑ ↑ ↑			3.96MMピッチ6極 (3.96MM PITCH 6POS)	赤 (RED)	6-178497-2
	↑ ↑ ↑					
OBSOLETE	↑ ↑ ↑			7.92MMピッチ3極 (7.92MM PITCH 3POS)	自然色 (NATURAL)	5-178497-1
	↑ ↑ ↑					
OBSOLETE	↑ ↑ ↑			3.96MMピッチ5極 (3.96MM PITCH 5POS)	黒 (BLACK)	178499-9
	↑ ↑ ↑					
OBSOLETE	↑ ↑ ↑			7.92MMピッチ4極 (7.92MM PITCH 4POS)	青 (BLUE)	3-178498-6
	↑ ↑ ↑					
OBSOLETE	↑ ↑ ↑			3.96MMピッチ4極 (3.96MM PITCH 4POS)	黄色 (YELLOW)	3-178498-4
	↑ ↑ ↑					
OBSOLETE	↑ ↑ ↑			3.96MMピッチ4極 (3.96MM PITCH 4POS)	赤 (RED)	3-178498-2
	↑ ↑ ↑					
OBSOLETE	↑ ↑ ↑			3.96MMピッチ4極 (3.96MM PITCH 4POS)	自然色 (NATURAL)	178498-1
	↑ ↑ ↑					
OBSOLETE	↑ ↑ ↑			3.96MMピッチ4極 (3.96MM PITCH 4POS)	黒 (BLACK)	178498-9
	↑ ↑ ↑					
OBSOLETE	↑ ↑ ↑			3.96MMピッチ4極 (3.96MM PITCH 4POS)	青 (BLUE)	178498-6
	↑ ↑ ↑					
OBSOLETE	↑ ↑ ↑			3.96MMピッチ4極 (3.96MM PITCH 4POS)	黄色 (YELLOW)	178498-4
	↑ ↑ ↑					
OBSOLETE	↑ ↑ ↑			3.96MMピッチ4極 (3.96MM PITCH 4POS)	赤 (RED)	178498-2
	↑ ↑ ↑					
OBSOLETE	↑ ↑ ↑			3.96MMピッチ4極 (3.96MM PITCH 4POS)	自然色 (NATURAL)	178498-1
	↑ ↑ ↑					
OBSOLETE	↑ ↑ ↑			3.96MMピッチ4極 (3.96MM PITCH 4POS)	黒 (BLACK)	178498-9
	↑ ↑ ↑					
OBSOLETE	↑ ↑ ↑			3.96MMピッチ4極 (3.96MM PITCH 4POS)	青 (BLUE)	178497-6
	↑ ↑ ↑					
OBSOLETE	↑ ↑ ↑			3.96MMピッチ4極 (3.96MM PITCH 4POS)	黄色 (YELLOW)	178497-4
	↑ ↑ ↑					
OBSOLETE	↑ ↑ ↑			3.96MMピッチ4極 (3.96MM PITCH 4POS)	赤 (RED)	178497-2
	↑ ↑ ↑					
OBSOLETE	↑ ↑ ↑			3.96MMピッチ4極 (3.96MM PITCH 4POS)	自然色 (NATURAL)	178497-1
	↑ ↑ ↑					
OBSOLETE	↑ ↑ ↑			コネクタピッチ及び極数 (CONN.PITCH AND POS)	ハウジング色調 (COLOR)	型番 (P/N)
	↑ ↑ ↑					

THIS DRAWING IS A CONTROLLED DOCUMENT.

DWN Y.NARISAWA 08MAR'91
 CHK N.ONOUE 13MAR'91
 APVD Y.FUJITA 13MAR'91

PRODUCT SPEC 製品規格
 APPLICATION SPEC 取付適用規格

SEE NOTE 1

NAME 名称 AMP UP CONN. 3.96MM PITCH 4-6POS TAB HEADER ASSY (H TYPE)

SIZE A2 CAGE CODE 00779 DRAWING NO. 178497

MATERIAL 材料 SEE TABLE 1 FINISH 仕上 SEE TABLE 1 WEIGHT WEIGHT

CUSTOMER DRAWING

SCALE 尺度 SHEET 1 OF 1 REV F1

单击下面可查看定价，库存，交付和生命周期等信息

[>>TE Connectivity\(泰科\)](#)