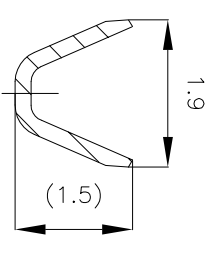
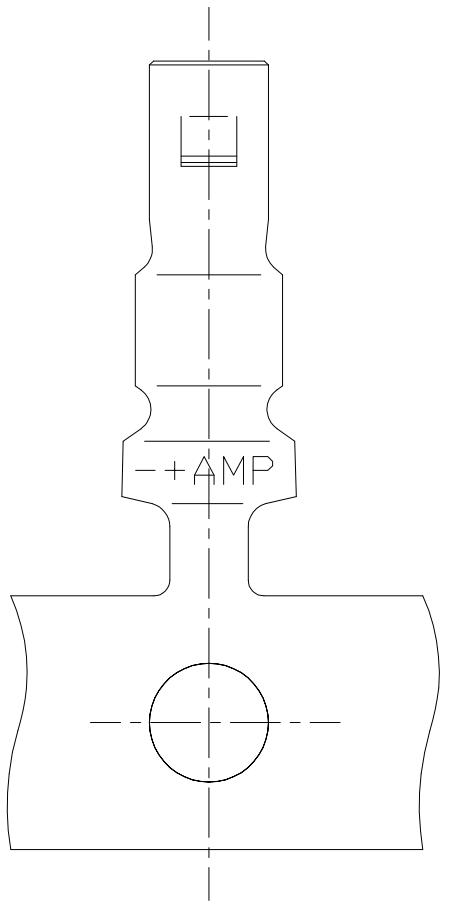
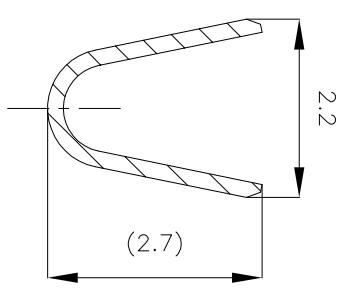


SECT "C"-"C"
 SCALE 20-1



SECT "A"-"A"



SECT "B"-"B"

NOTES:
 1. USE HOUSING: P/N 179228

LOC	DIST	REVISIONS		DATE	DMN	APPD
ES	00	P	LTR			
B4		REVISED PER ECR-14-003219		10OCT14	T.Q	W.H

GOLD PLT COPPER ALLOY (0.2t)	179227-4
PRE TINNED COPPER ALLOY (0.2t)	179227-1
MATERIAL & FINISH	PART NO.

GENERAL TOLERANCE
 0 < * ≤ 10: ±0.2
 10 < * ≤ 30: ±0.25
 30 < * ≤ 100: ±0.3
 ANGLES: ±3°

THIS DRAWING IS A CONTROLLED DOCUMENT.	
DIMENSIONS: mm	TOLERANCES UNLESS OTHERWISE SPECIFIED
MATERIAL SEE TABLE	FINISH SEE TABLE

DMN T. FURUYA 12NOV93	CHK S. KUBOBUCHI 15NOV93	APD S. KUBOBUCHI 15NOV93	NAME STE TE Connectivity
PRODUCT SPEC 108-60029	APPLICATION SPEC 114-5179	SIZE A2	CAGE CODE 00779
WEIGHT	CUSTOMER DRAWING	SCALE NTS	SHEET 1 OF 1
		RESTRICTED TO	REV B4

单击下面可查看定价，库存，交付和生命周期等信息

[>>TE Connectivity\(泰科\)](#)