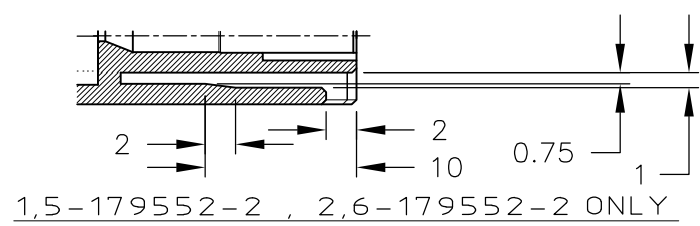
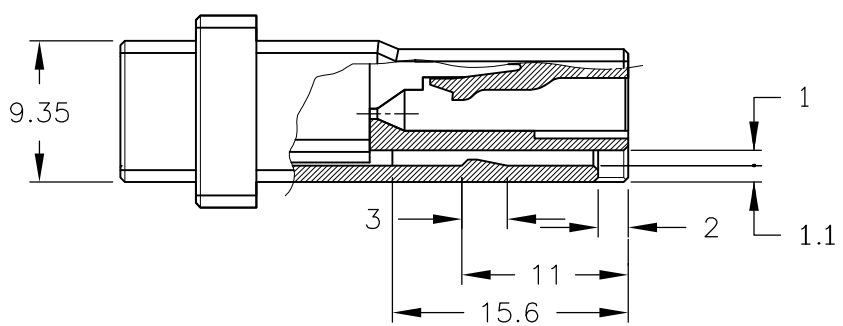
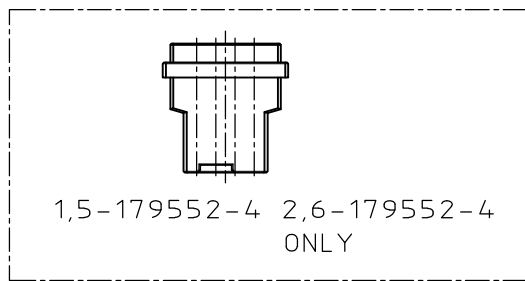
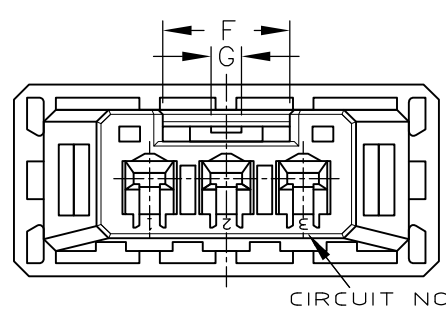
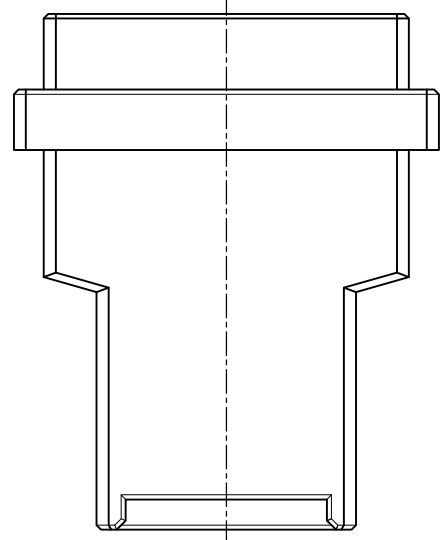
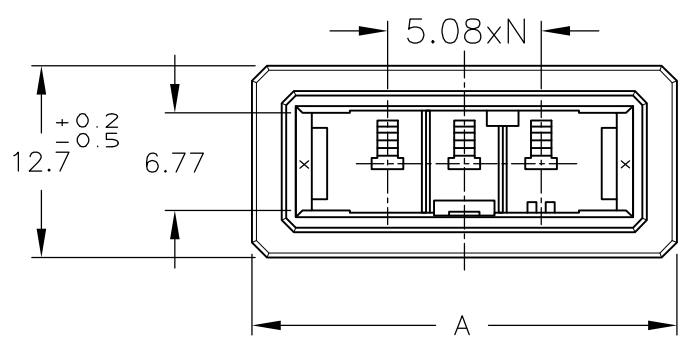
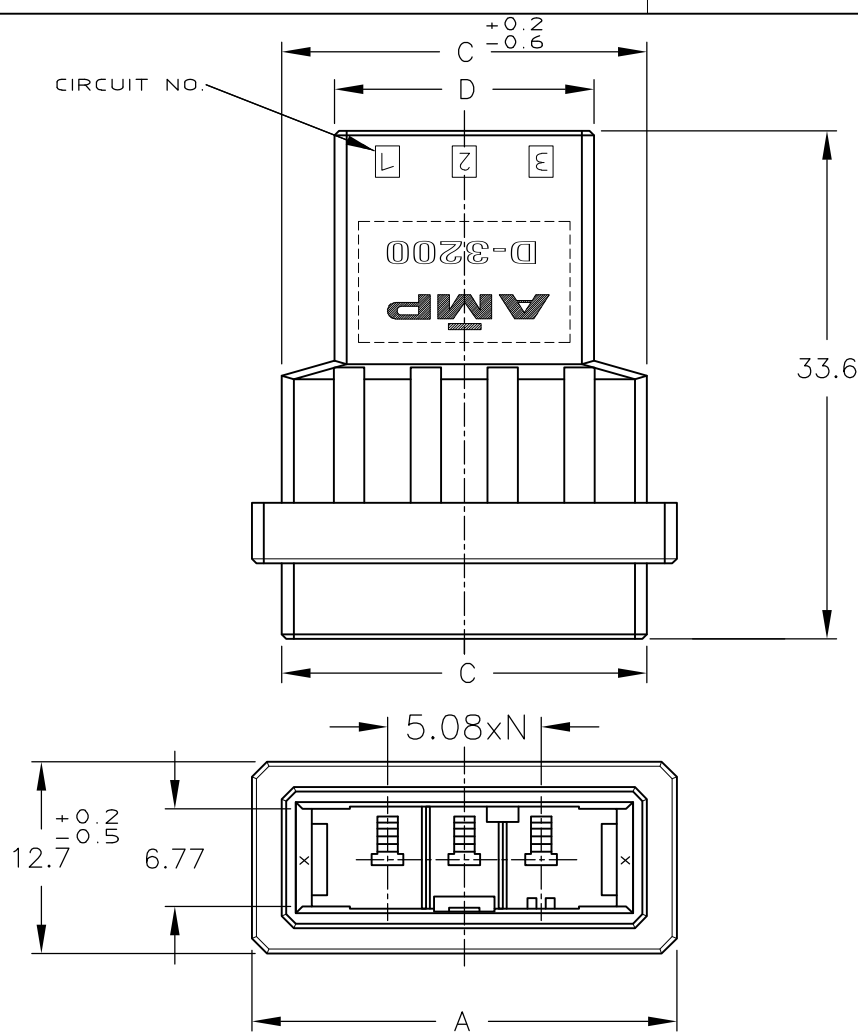


NUMBER 179552  
METRIC

PRINT DIST  
DIMENSIONS IN MM. DO NOT SCALE PRINT

AMP-J  
REV. 10/83



NOTES  
1 MATERIAL: GLASS FIELD THERMO PLASTIC, POLYESTER  
COLOR: BLACK  
~~2 TO COAT ALL SURFACE OF HOUSING WITH TEFLON~~

FINISH	KEYING PATTERN	POS.	DIMENSION	A	-	C	D	-	F	G	N	KEY	PART NUMBER
OBSOLETE				4	33.19	29.24	22.24		8.4	2	3	Y	6-179552-4
OBSOLETE				4	33.19	29.24	22.24		8.4	2	3	X	5-179552-4
-				4	33.19	29.24	22.24		8.4	2	3	Y	2-179552-4
-				4	33.19	29.24	22.24		8.4	2	3	X	1-179552-4
OBSOLETE				3	28.11	24.16	17.16		8.4	2	2	Y	6-179552-3
OBSOLETE				3	28.11	24.16	17.16		8.4	2	2	X	5-179552-3
-				3	28.11	24.16	17.16		8.4	2	2	Y	2-179552-3
-				3	28.11	24.16	17.16		8.4	2	2	X	1-179552-3
OBSOLETE				2	23.03	19.08	12.08		8.4	2	1	Y	6-179552-2
OBSOLETE				2	23.03	19.08	12.08		8.4	2	1	X	5-179552-2
-				2	23.03	19.08	12.08		8.4	2	1	Y	2-179552-2
-				2	23.03	19.08	12.08		8.4	2	1	X	1-179552-2

**TE** TE Connectivity

(WIRE RANGE)	(INSULATION DIA.)	(NAME)
- mm (AWG - )	- mm $\phi$	D3200S WIRE TO WIRE TAB HSG FOR DYNAMIC D-3200S FREE HANGING TYPE
(MATERIAL)	(FINISH)	(No.)
SEE NOTES		A3 J C-179552
DR. 31 JAN 94 N. Matsubara	DE. 31 JAN 94 N. Matsubara	(GENERAL TOLERANCE)
CHK. 1 FEB 94 S. MANABE	APP. 1 FEB 94 S. MANABE	$\leq 10$ : $\pm 0.2$ $10 \leq 30$ : $\pm 0.25$ $30 \leq 100$ : $\pm 0.3$ ANGLE : $\pm 3^\circ$
LTR (REVISION RECORD)	DR CHK DATE	(SCALE) 2/1
		REV. F
		SHEET 1 OF 1

单击下面可查看定价，库存，交付和生命周期等信息

[>>TE Connectivity\(泰科\)](#)