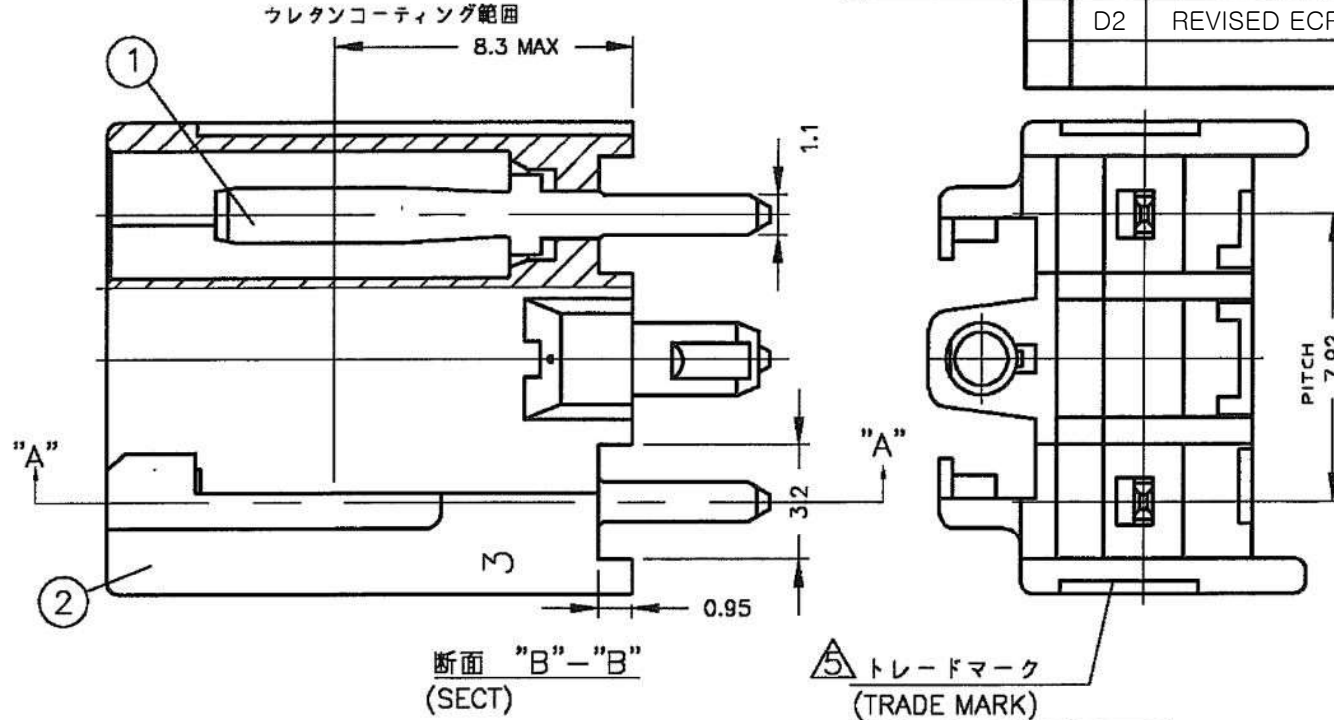
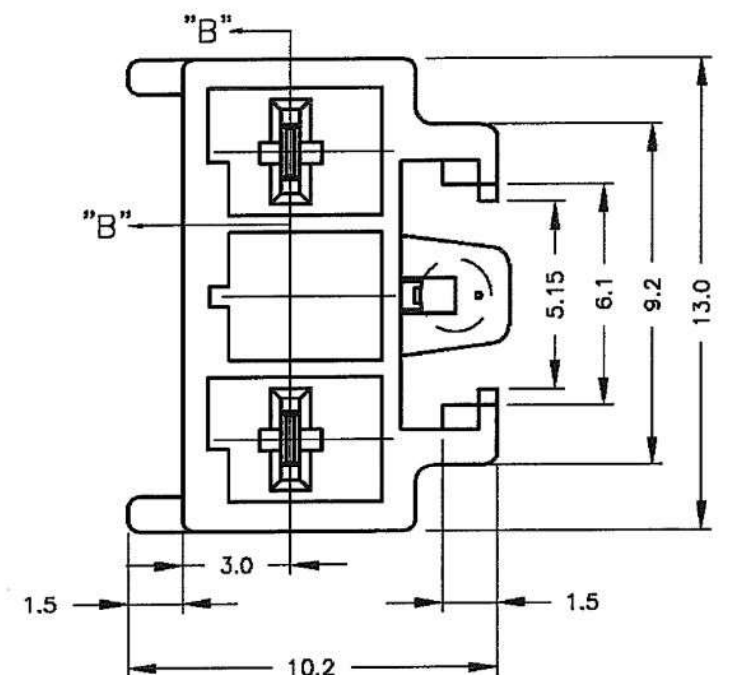


P	LTR	DESCRIPTION	DATE	DWN	APVD
	D2	REVISED ECR-15-005941	17APR15	SC	BW

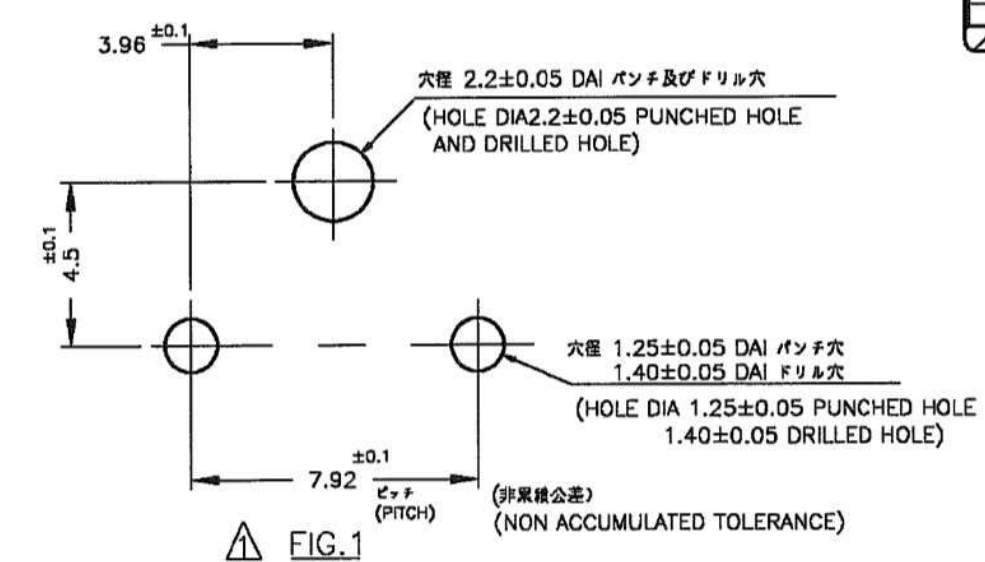
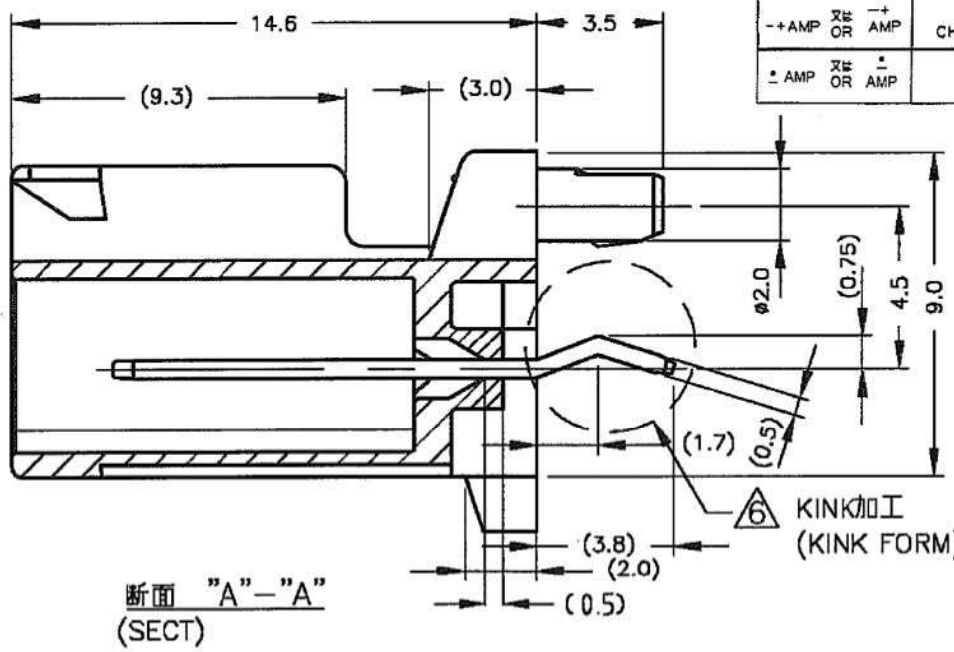


- NOTES :
- △ RECOMMENDED P.C.B LAYOUT : SEE FIG. 1
  - 2. APPLICABLE P.C.B THICKNESS : 1.6 t
  - 3. MATING CONN. P/N  
- PLUG HOUSING : 177899-X  
- REC CONTACT : 177914-X, 177915-X
  - 4. PRODUCT SPEC : 108-5410
  - △ TRADE MARK MARKED LOCATION CODE OF MANUFACTURING PLACE
  - △ WITHOUT KINK TYPE CAN'T BE FIXED ON P.C.B TEMPORARY BEFORE SOLDERING

表 1 (TABLE 1)

No	名称(NAME)	材料(MATERIAL)
①	タブ(TAB)	銅合金: 錫めっき (COPPER ALLOY TIN PLATED)
②	ヘッダーハウジング (HEADER HOUSING)	6/6ナイロンガラス強化(UL94V-0) (6/6 NYLON GRASS FILLED)

TRADE MARK	MANUFACTURING PLACE
-AMP 又は OR AMP	日本 JAPAN
+AMP 又は OR AMP	中国 CHINA (PRC)
AMP 又は OR AMP	韓国 KOREA



WITHOUT KINK	TRAY	COLOR	P/N	
△	TRAY	BLUE	9-179844-6	
		NATURAL	9-179844-1	
WITH KINK	POLY BAG	BLUE	1-179844-6	
		YELLOW	1-179844-4	
		RED	1-179844-2	
		NATURAL	1-179844-1	
	TRAY	OBsolete	BLACK	179844-9
		BLUE	179844-6	
		YELLOW	179844-4	
		RED	179844-2	
NATURAL	179844-1			

THIS DRAWING IS A CONTROLLED DOCUMENT.

DWN N.YAMASAKI 2 NOV '00	Tyco Electronics AMP K.K. Kawasaki, Japan
CHK M.SHINDO 6 NOV '00	
APVD Y.KASHIWA 6 NOV '00	
PRODUCT SPEC SEE NOTE 4	
MATERIAL 表1参照 (SEE TABLE 1)	NAME アンブパワーダブルロックコネクタ 7.92mmピッチ2極ヘッダーアッセンブリ (V-TYPE) AMP POWER DBL LOCK CONN 7.92mm PITCH 2P HEADER ASS'Y V TYPE
FINISH 表1参照 (SEE TABLE 1)	SIZE A3 CAGE CODE 00779 DRAWING NO C-179844 RESTRICTED TO
WEIGHT	SCALE - SHEET 1 OF 1 REV D2

CUSTOMER DRAWING

单击下面可查看定价，库存，交付和生命周期等信息

[>>TE Connectivity\(泰科\)](#)