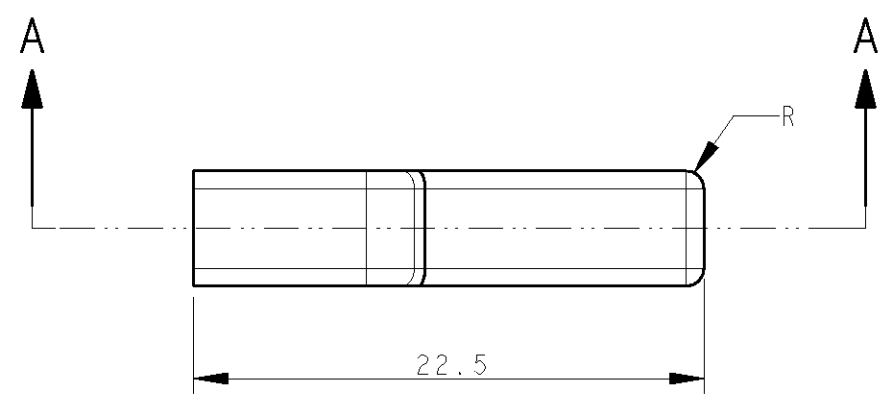
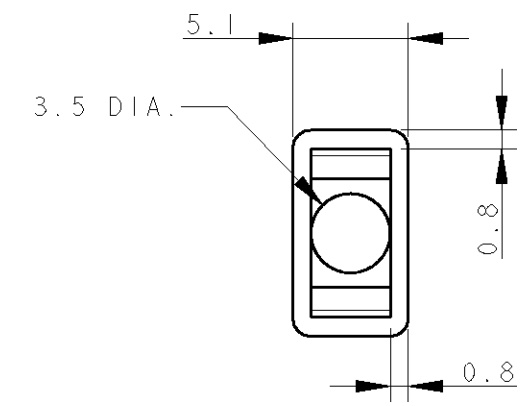
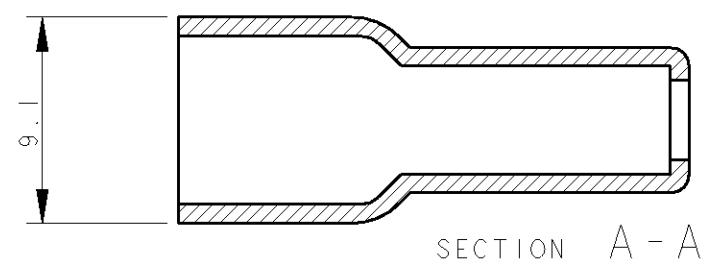
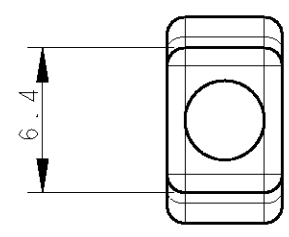


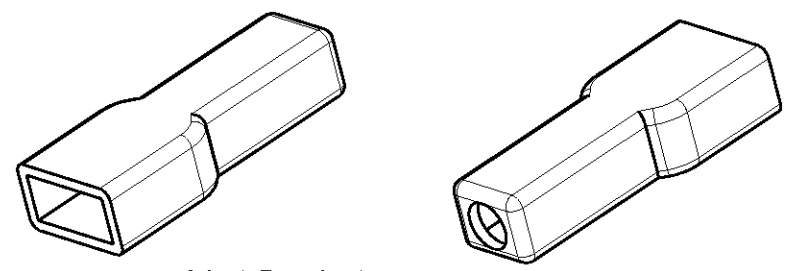
THIS DRAWING IS UNPUBLISHED. RELEASED FOR PUBLICATION 2003
 © COPYRIGHT 2003 BY TYCO ELECTRONICS CORPORATION. ALL RIGHTS RESERVED.

LOC	DIST	REVISIONS			
P	LTR	DESCRIPTION	DATE	DWN	APVD
	G1	REDRAWN, ET00-0212-04	19 OCT 2004	HY	GT
	G2	REVISED PER - ECO-09-026346	26NOV09	KK	AEG



- 1 POLYETHYLENE
- 2 PA6 UNFILLED, UL 94 V2, VERSION ACCORDING TO IEC 60695-2-11, IEC 60335-1, GLOW WIRE.
- 3 OBSOLETE PARTS: OBSOLETE CIS STREAMLINING PER D.RENAUD/D.SINISI

NOTE	COLOUR	MATERIAL	TYCO P/N	REV
	NATURAL	SEE NOTE 2	3-180930-0	G
	ORANGE		2-180930-9	G
OBSOLETE 3	GRAY		2-180930-7	G
	BROWN		2-180930-6	G
	BLACK		2-180930-5	G
OBSOLETE 3	YELLOW	SEE NOTE 1	2-180930-4	G
	BLUE		2-180930-3	G
	GREEN		2-180930-2	G
	RED		2-180930-1	G
	NATURAL		2-180930-0	G



SCALE 2:1

THIS DRAWING IS A CONTROLLED DOCUMENT FOR TYCO ELECTRONICS CORPORATION IT IS SUBJECT TO CHANGE AND THE CONTROLLING ENGINEERING ORGANIZATION SHOULD BE CONTACTED FOR THE LATEST REVISION.

DIMENSIONS: mm		TOLERANCES UNLESS OTHERWISE SPECIFIED:	
0 PLC	±-	0 PLC	±-
1 PLC	±0.4	1 PLC	±0.4
2 PLC	±-	2 PLC	±-
3 PLC	±-	3 PLC	±-
4 PLC	±-	4 PLC	±-
ANGLES	±1°	ANGLES	±1°
MATERIAL	SEE TABLE	FINISH	-

DWN	H. YAALI	13JUL2004
CHK	-	-
APVD	-	-
PRODUCT SPEC	108-20035	
APPLICATION SPEC	-	
WEIGHT	-	
CUSTOMER DRAWING		

tyco Electronics		tyco Electronics AMP Italia S.p.A. C.so F.lli Cervi, 15 COLLEGNO (TO)	
INSULATING BOOT			
SIZE	CAGE CODE	DRAWING NO	RESTRICTED TO
A3	00779	C=180930	-
SCALE 3:1		SHEET 1 OF 1	REV G2

单击下面可查看定价，库存，交付和生命周期等信息

[>>TE Connectivity\(泰科\)](#)