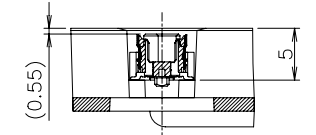
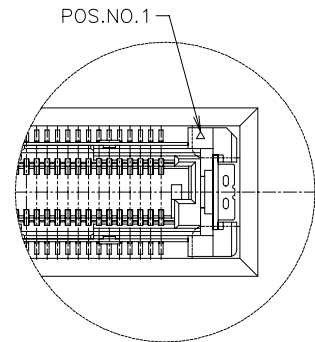
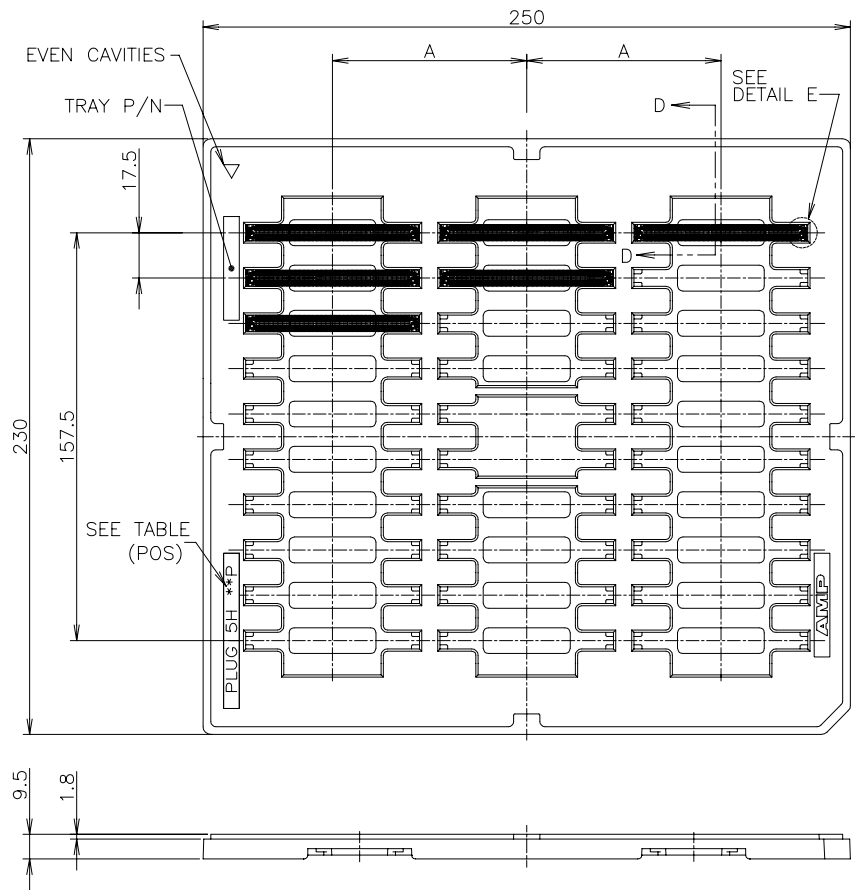


REVISIONS					
P	LTR	DESCRIPTION	DATE	DWN	APVD
	D	REVISED PER ECO-20-000559	13DEC2019	A.L	H.L

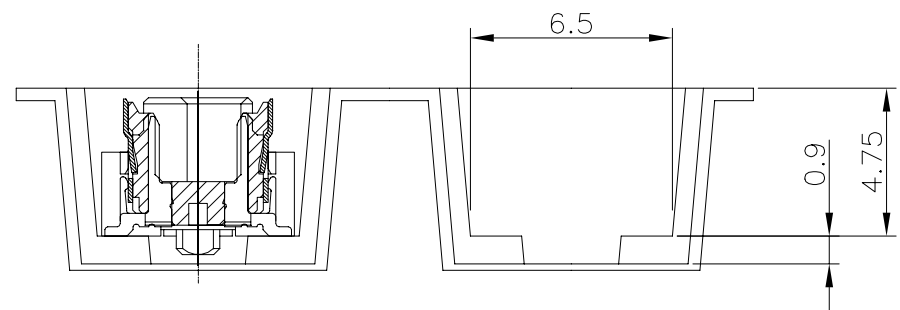
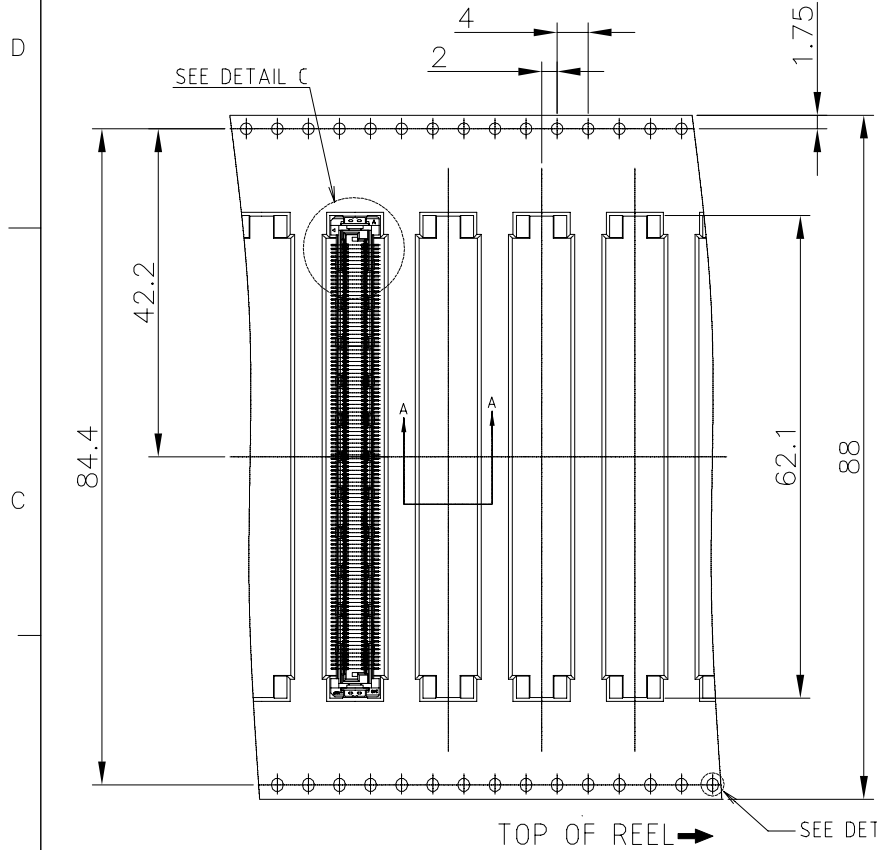


WITHOUT CAP

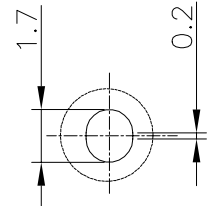
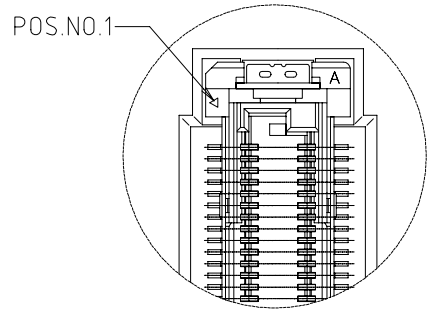
THIS DRAWING IS A CONTROLLED DOCUMENT.

DIMENSIONS: MM	TOLERANCES UNLESS OTHERWISE SPECIFIED: 0 PLC ± 0.25 1 PLC ± 0.15 2 PLC ± 0.10 3 PLC ± 0.05 4 PLC ± 0.0250 ANGLES ± 3'	DWN S. CHIEN 18MAY05	TE Connectivity Ltd.			
	MATERIAL FINISH	CHK T. FUTATSUGI 18MAY05	NAME			
		APVD W. KODAMA 18MAY05	HARD TRAY PACKAGING FH 0.5 BTB CONNECTOR 220POS PLUG 5H WITH GROUND PLATE			
		PRODUCT SPEC 108-5560	SIZE A3	CAGE CODE 00779	DRAWING NO C=1827253	RESTRICTED TO
		APPLICATION SPEC	CUSTOMER DRAWING		SCALE 1:2	SHEET 1 OF 5
		WEIGHT			REV D	

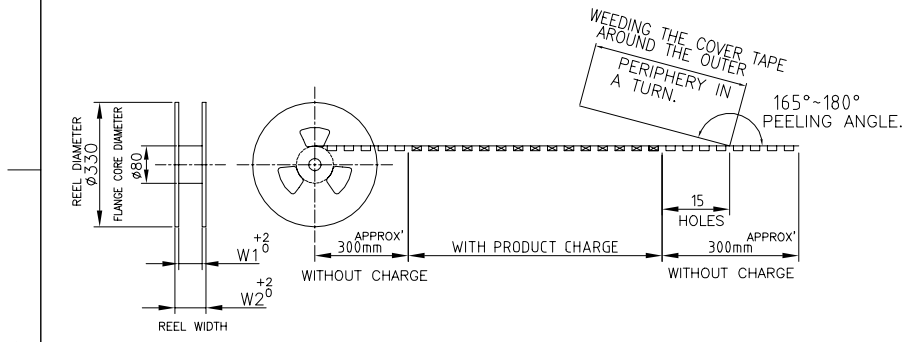
REVISIONS						
P	LTR	DESCRIPTION	DATE	DWN	APVD	
-	-	SEE SHEET 1	-	-	-	-



SECTION A-A
SCALE 4:1



DETAIL C
(SCALE 4:1)



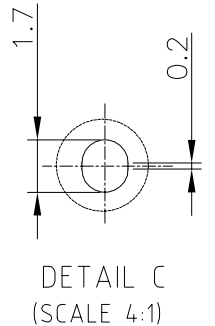
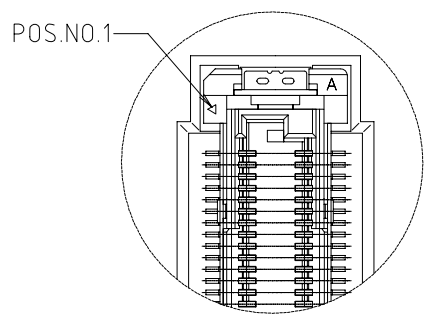
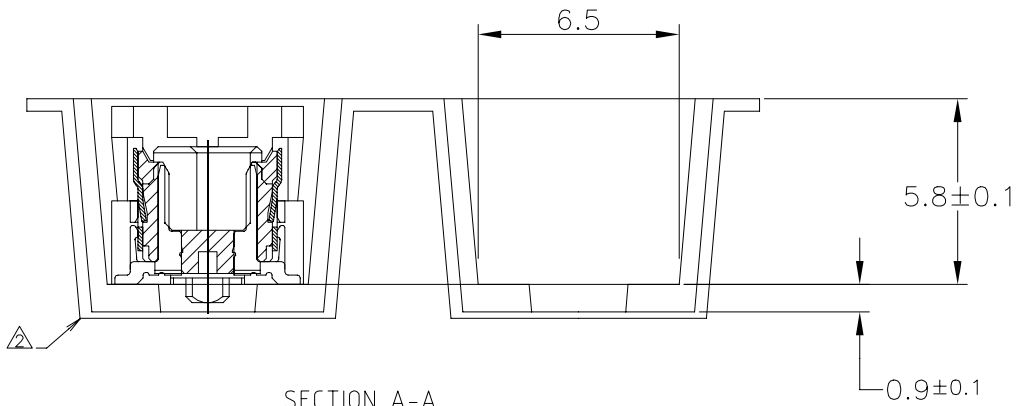
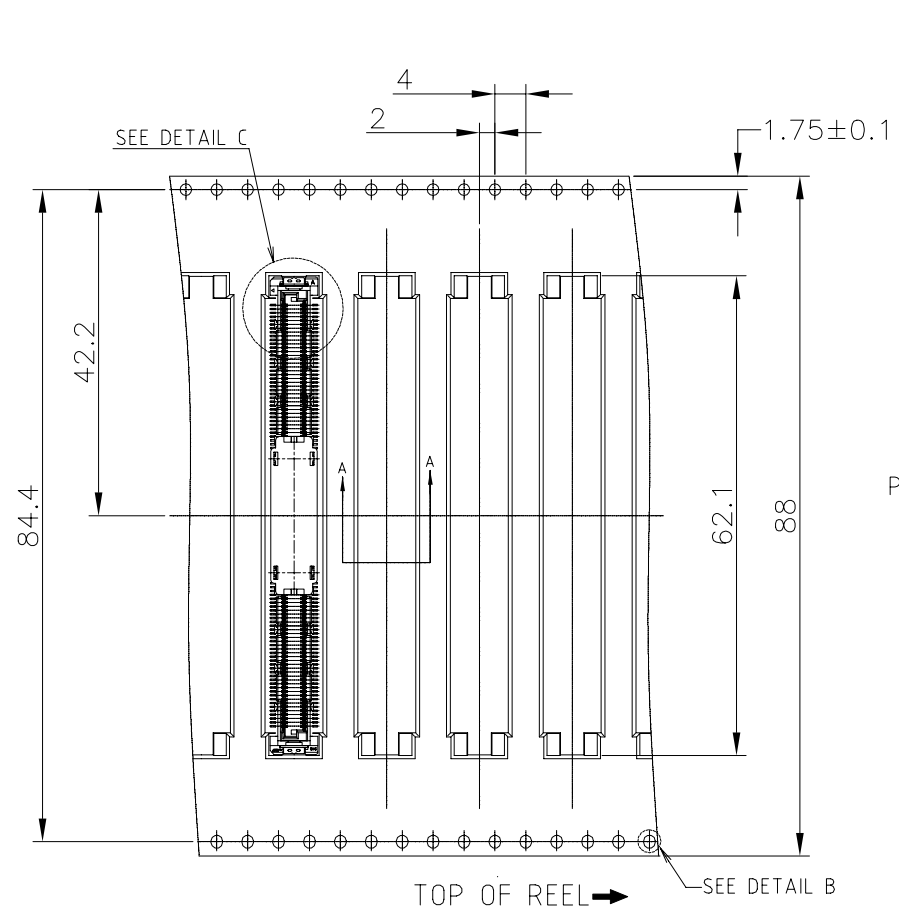
WITHOUT CAP

△	NO	93.5	89.5	800	220	9-1827253-7
△	NO	93.5	89.5	800	220	4-1827253-6
FINISH	SEALANT SIF-200B	W2	W1	QTY/ REEL	POS	TAPING P/N

THIS DRAWING IS A CONTROLLED DOCUMENT.

DWN	S. CHIEN	18MAY05	TE Connectivity Ltd. ON TAPING EMBOSS FH 0.5 BTB CONNECTOR 220POS PLUG 5H WITH GROUND PLATE	RESTRICTED TO
CHK	T. FUTATSUGI	18MAY05		
APVD	W. KODAMA	18MAY05		
PRODUCT SPEC				
APPLICATION SPEC			NAME	
WEIGHT			SIZE	A3
CUSTOMER DRAWING			CAGE CODE	00779
			DRAWING NO	C=1827253
			SCALE	1:2
			SHEET	2 OF 5
			REV	D

REVISIONS					
P	LTR	DESCRIPTION	DATE	DWN	APVD
-	-	SEE SHEET 1	-	-	-

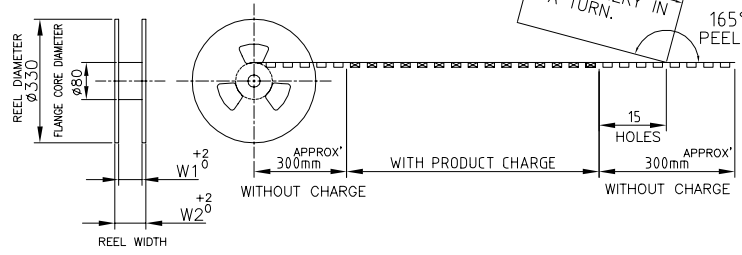


TOP OF REEL → SEE DETAIL B

WITH CAP

△	BLACK	NO	93.5	89.5	700	220	9-1827253-9
△	NATURE	NO	93.5	89.5	700	220	9-1827253-8
△	NATURE	NO	93.5	89.5	700	220	4-1827253-8
FINISH	CAP COLOR	SEALANT SIF-200B	W2	W1	QTY/ REEL	POS	TAPING P/N

WEEDING THE COVER TAPE AROUND THE OUTER PERIPHERY IN A TURN. 165°~180° PEELING ANGLE.



THIS DRAWING IS A CONTROLLED DOCUMENT.

DWN	S. CHIEN	18MAY05
CHK	T. FUTATSUGI	18MAY05
APVD	W. KODAMA	18MAY05
PRODUCT SPEC		
APPLICATION SPEC		
WEIGHT		
CUSTOMER DRAWING		

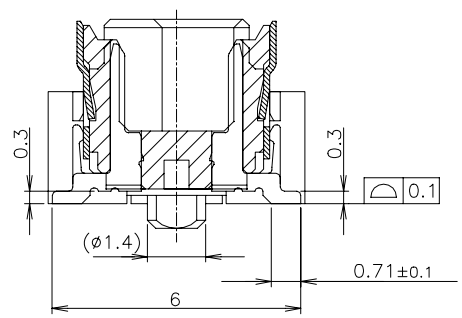
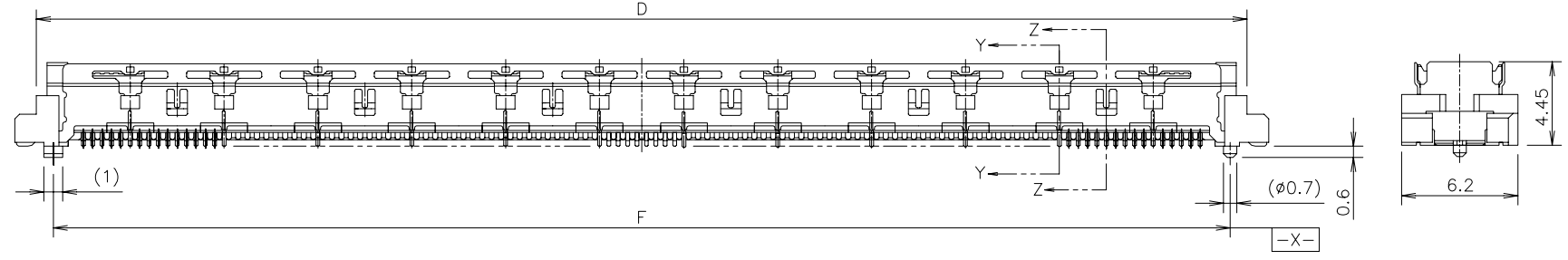
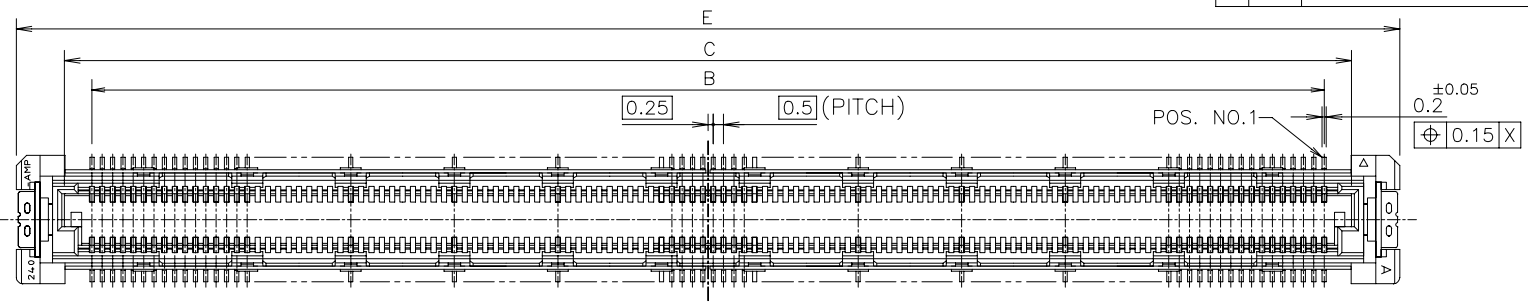
TE Connectivity Ltd.

ON TAPING EMBOSS
FH 0.5 BTB CONNECTOR 220POS
PLUG 5H WITH GROUND PLATE

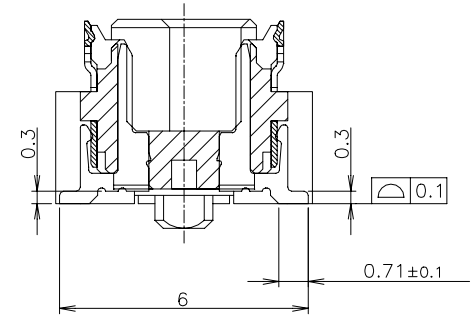
SIZE	CAGE CODE	DRAWING NO	RESTRICTED TO
A3	00779	C=1827253	-

SCALE 1:2 SHEET 3 OF 5 REV D

REVISIONS					
P	LTR	DESCRIPTION	DATE	DWN	APVD
-	-	SEE SHEET 1	-	-	-



SECT. Z-Z
(SIGNAL POSITION)
(SCALE 8:1)



SECT. Y-Y
(GROUND POSITION)
(SCALE 8:1)

57.7	61.8	59.5	57.1	54.5	BLACK	220	9-1827253-9
57.7	61.8	59.5	57.1	54.5	BLACK	220	9-1827253-8
57.7	61.8	59.5	57.1	54.5	BLACK	220	9-1827253-7
57.7	61.8	59.5	57.1	54.5	BLACK	220	9-1827253-6
57.7	61.8	59.5	57.1	54.5	BLACK	220	4-1827253-8
57.7	61.8	59.5	57.1	54.5	BLACK	220	4-1827253-6
57.7	61.8	59.5	57.1	54.5	BLACK	220	3-1827253-6
F	E	D	C	B	CONN. COLOR	POS.	PART NO.

THIS DRAWING IS A CONTROLLED DOCUMENT.

DIMENSIONS: MM	TOLERANCES UNLESS OTHERWISE SPECIFIED:	DWN
	0 PLC ± 0.25	CHK
	1 PLC ± 0.15	APVD
	2 PLC ± 0.10	PRODUCT SPEC
	3 PLC ± 0.05	APPLICATION SPEC
	4 PLC ± 0.0250	WEIGHT
	ANGLES ± 3°	CUSTOMER DRAWING

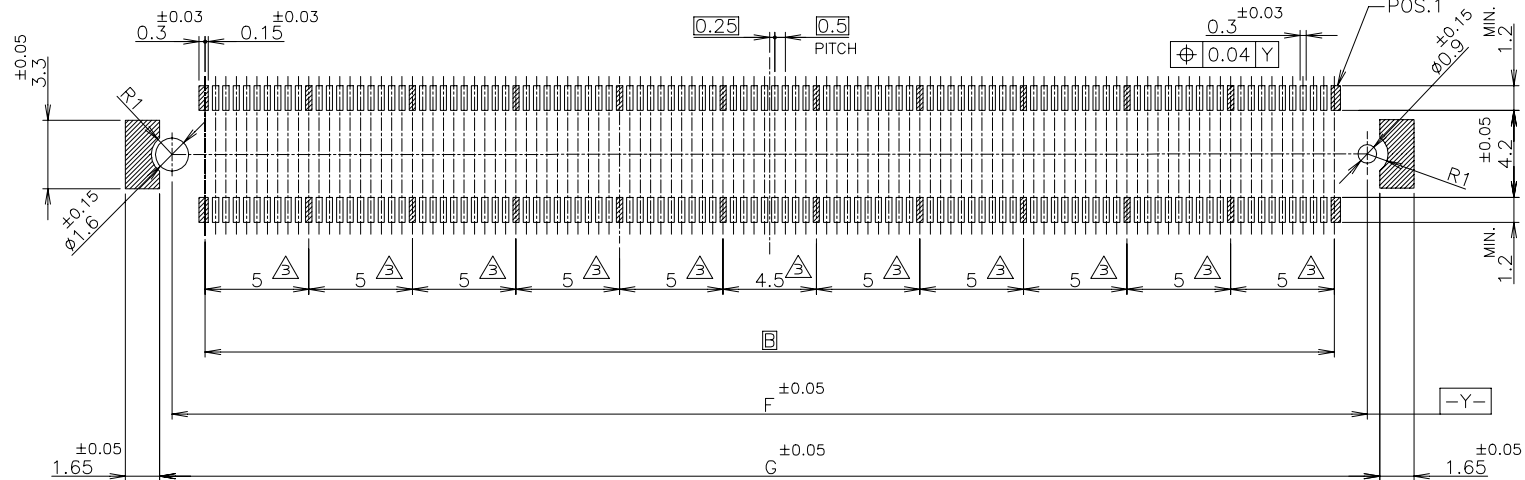
STE TE Connectivity Ltd.

ASSEMBLY
FH 0.5 BTB CONNECTOR 220POS
PLUG 5H WITH GROUND PLATE

SIZE	CAGE CODE	DRAWING NO	RESTRICTED TO
A3	00779	C=1827253	

SCALE 4:1 SHEET 4 OF 5 REV D

P	LTR	DESCRIPTION	DATE	DWN	APVD
-	-	SEE SHEET 1	-	-	-



REFERENCE P.C.BOARD LAYOUT OF CONNECTOR

NOTES

- △ MATERIAL ; HOUSING: HIGH TEMP THERMO PLASTIC UL94V-0
CONTACT: COPPER ALLOY
SOLDER PEG : COPPER ALLOY
- △ FINISH ; SIGNAL CONTACT : UNDER PL. Ni 0.0013mm MIN ALL OVER
CONTACT AREA 0.0002mm MIN Au PL.
SOLDERING AREA 0.00005mm MIN Au PL.
GROUND CONTACT : UNDER PL. Ni 0.0013mm MIN ALL OVER
CONTACT AREA 0.0002mm MIN Au PL.
SOLDERING AREA 0.00005mm MIN Au
- SOLDER PEG: TIN PL. 0.0001mm MIN OVER
UNDER PL. Ni OR COPPER 0.0013mm MIN ALL OVER
- △ THIS POSITION IS GROUND CIRCUIT.
- △ HIGH TEMPERATURE VERSION.
- △ FINISH ; SIGNAL CONTACT : UNDER PL. Ni 0.0013mm MIN ALL OVER
CONTACT AREA 0.00076mm MIN Au PL.
SOLDERING AREA 0.00005mm MIN Au PL.
GROUND CONTACT : UNDER PL. Ni 0.0013mm MIN ALL OVER
CONTACT AREA 0.00076mm MIN Au PL.
SOLDERING AREA 0.00005mm MIN Au
- SOLDER PEG: TIN PL. 0.0001mm MIN OVER
UNDER PL. Ni OR COPPER 0.0013mm

59.5	220	9-1827253-9
59.5	220	9-1827253-8
59.5	220	9-1827253-7
59.5	220	9-1827253-6
59.5	220	4-1827253-8
59.5	220	4-1827253-6
59.5	220	3-1827253-6
G	POS.	PART NO.

THIS DRAWING IS A CONTROLLED DOCUMENT.		DWN	TE Connectivity Ltd.			
		CHK				
DIMENSIONS: MM		APVD	NAME ASSEMBLY FH 0.5 BTB CONNECTOR 220POS PLUG 5H WITH GROUND PLATE			
TOLERANCES UNLESS OTHERWISE SPECIFIED:		PRODUCT SPEC				
0 PLC ± 0.25		APPLICATION SPEC	SIZE	CAGE CODE	DRAWING NO	RESTRICTED TO
1 PLC ± 0.15		WEIGHT	A3	00779	G=1827253	
2 PLC ± 0.10		CUSTOMER DRAWING	SCALE	SHEET	REV	
3 PLC ± 0.05			4:1	5 of 5	D	
4 PLC ANGLES ± 0.0250 ± 3'						
MATERIAL FINISH						

单击下面可查看定价，库存，交付和生命周期等信息

[>>TE Connectivity\(泰科\)](#)