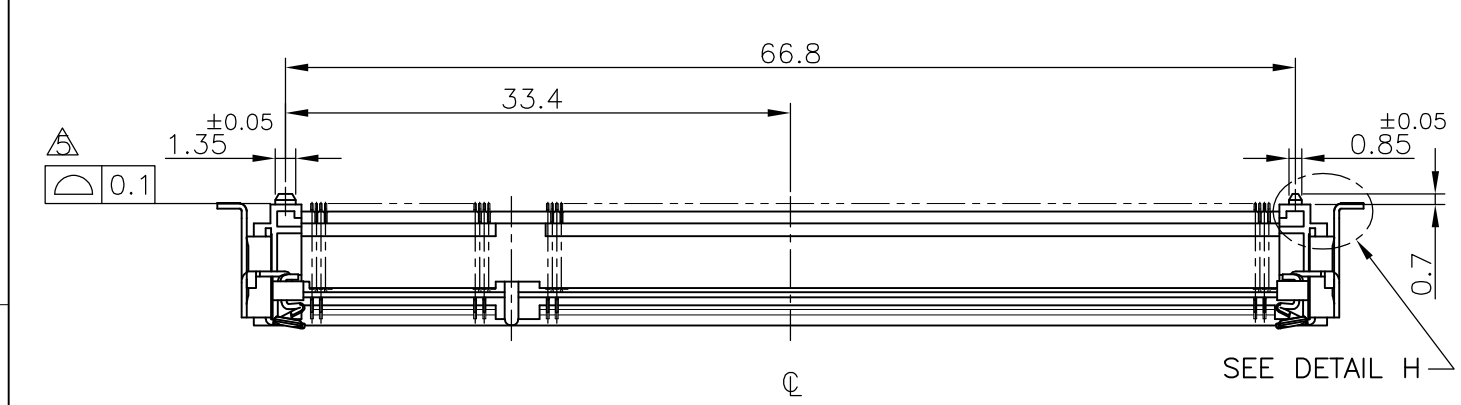


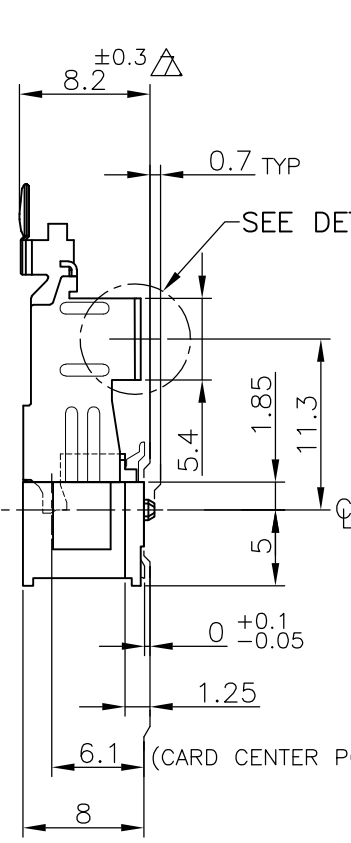
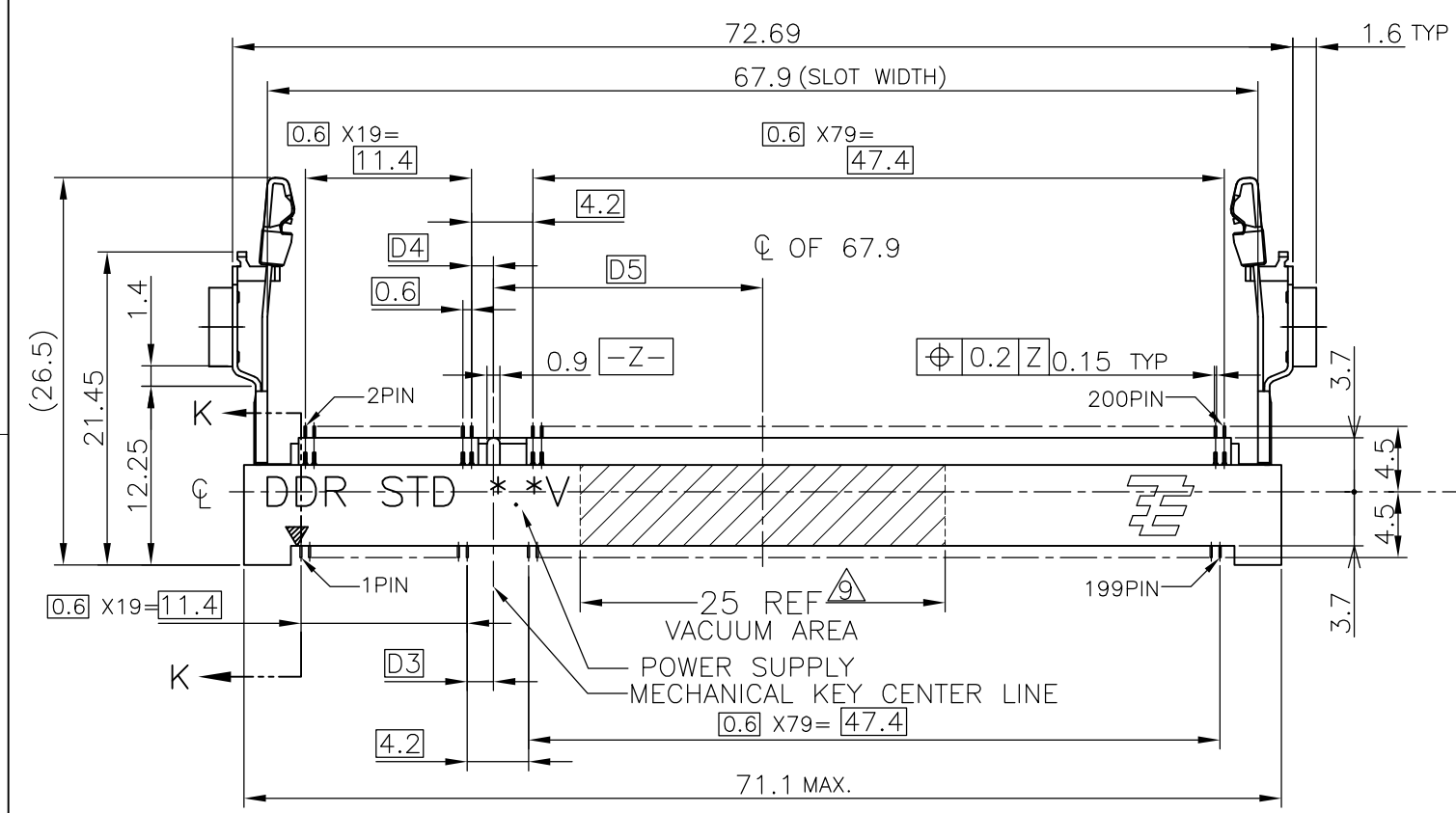
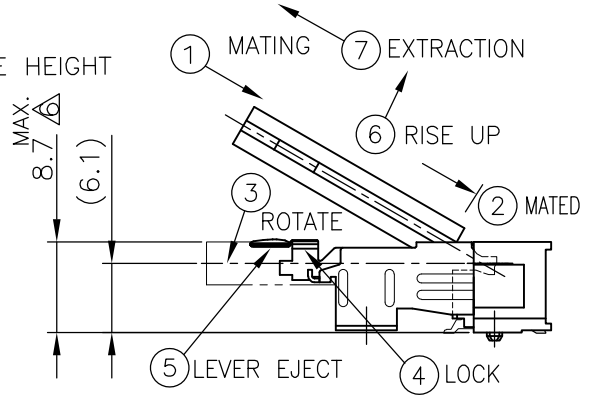
THIS DRAWING IS UNPUBLISHED. RELEASED FOR PUBLICATION FEB. 2005.
 © COPYRIGHT 2005 By - ALL RIGHTS RESERVED.

LOC	DIST	REVISIONS			
P	LTR	DESCRIPTION	DATE	DWN	APVD
ES		G2	REVISED PER ECO-11-005033	29MAR11	RK HMR



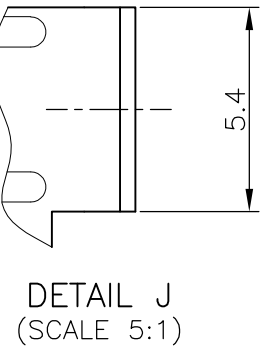
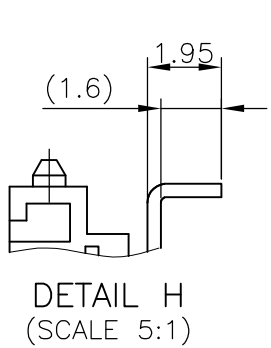
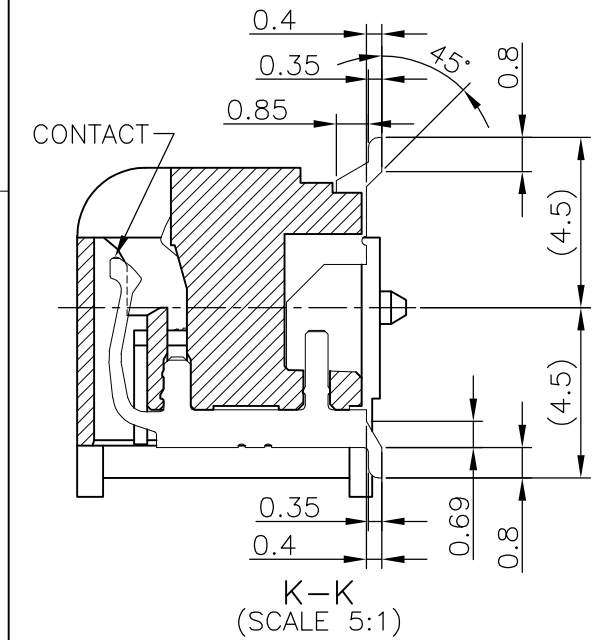
HOW TO MATE AND UNMATE

MATE: ① → ④
 UNMATE: ⑤ → ⑦



(APPLIED TO SHEET 1-2)

- MATERIAL ; HOUSING:HIGH TEMPERATURE THERMO PLASTIC UL94V-0, COLOR : BLACK
 CONTACT : COPPER ALLOY
 LOCK LEVER : STAINLESS STEEL
- FINISH ; CONTACT : Au PL. IN CONTACT AREA AND SOLDERING AREA ON NICKEL UNDER PL.
 SOLDERING AREA(LOCK LEVER) : TIN PL.
- MECHANICAL KEY POSITION OF CONNECTOR SEE TABLE.
- TOLERANCES NON-CUMMURATIVE.
- COPLANARITY: 0.1MAX
- THE FLOATING VALUE BY SOLDERING IS NOT INCLUDED.
- NOT MATING CONDITION.
- IF THE MODULE DOESN'T INSERT AND LOCK IN THE LATCH SMOOTHLY, OPEN WIDE BOTH LATCHES BY MANUAL. AND THE MODULE MUST BE INSERTED AND LOCKED IN THE LATCH.
- VACUUM AREA MUST BE FLAT AND NO HOT MARK.



GENERAL TOLERANCE
 10 ≥ : ±0.2
 30 ≥ > 10: ±0.25
 100 ≥ > 30: ±0.3
 ANGLES: ±3°

AVAILABLE	1.8V (DDR2)	17.55	2.4	2.7	200	1827341-4
NOT AVAILABLE	2.5V (DDR1)	18.45	1.5	1.8	200	-
TOOLING STATUS	POWER SUPPLY (TYPE)	D5	D4	D3	POS	PART NO.

THIS DRAWING IS A CONTROLLED DOCUMENT.

DWN T.FUMIKURA 04FEB05
 CHK
 APVD
 PRODUCT SPEC 108-5701
 APPLICATION SPEC

TE Connectivity

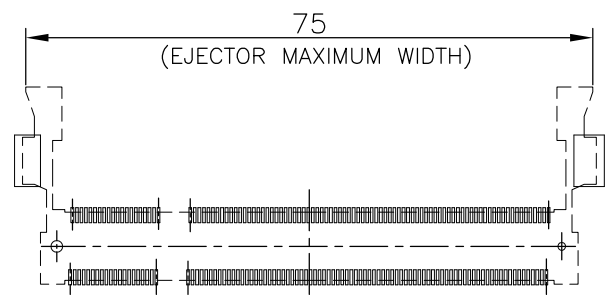
NAME
 DDR1 & DDR2 SODIMM SOCKET 0.6mm PITCH
 200POS 8mm HEIGHT STANDARD TYPE
 (LATCH DIRECT SOLDERING TYPE)

SIZE A3 CAGE CODE 00779 DRAWING NO C-1827341 RESTRICTED TO

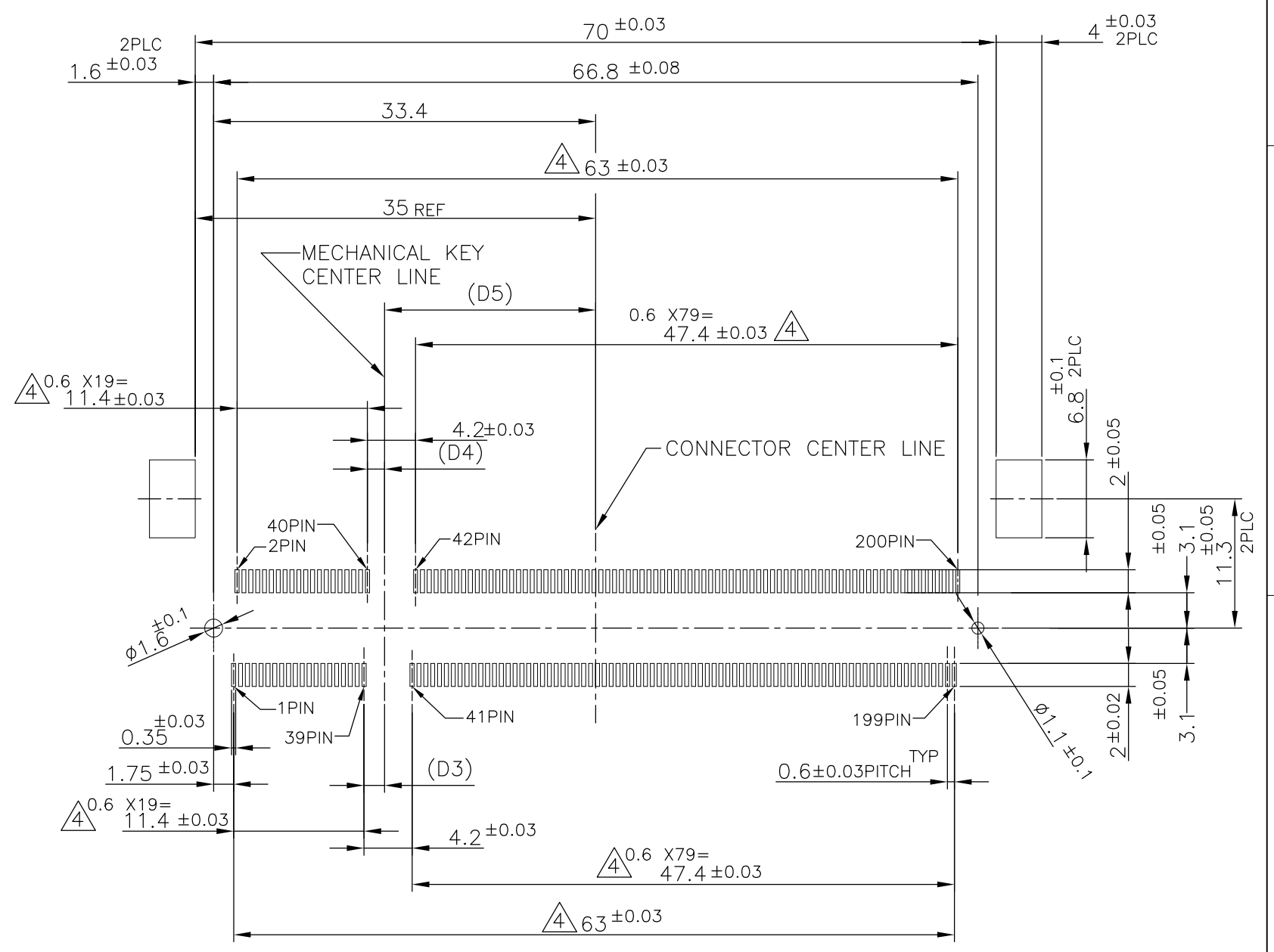
WEIGHT
 CUSTOMER DRAWING SCALE 2:1 SHEET 1 OF 4 REV G2

THIS DRAWING IS UNPUBLISHED. RELEASED FOR PUBLICATION FEB ,2005.
 © COPYRIGHT 2005 By - ALL RIGHTS RESERVED.

LOC	DIST	REVISIONS			
P	LTR	DESCRIPTION	DATE	DWN	APVD
ES		SEE SHEET 1	-	-	-



REAL SIZE (SCALE 1:1)

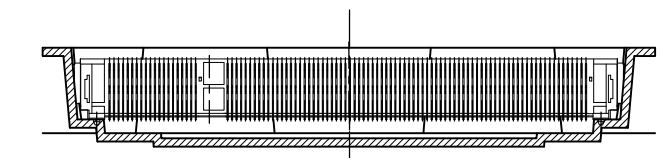
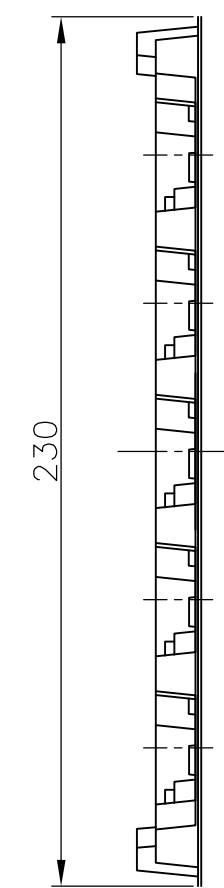
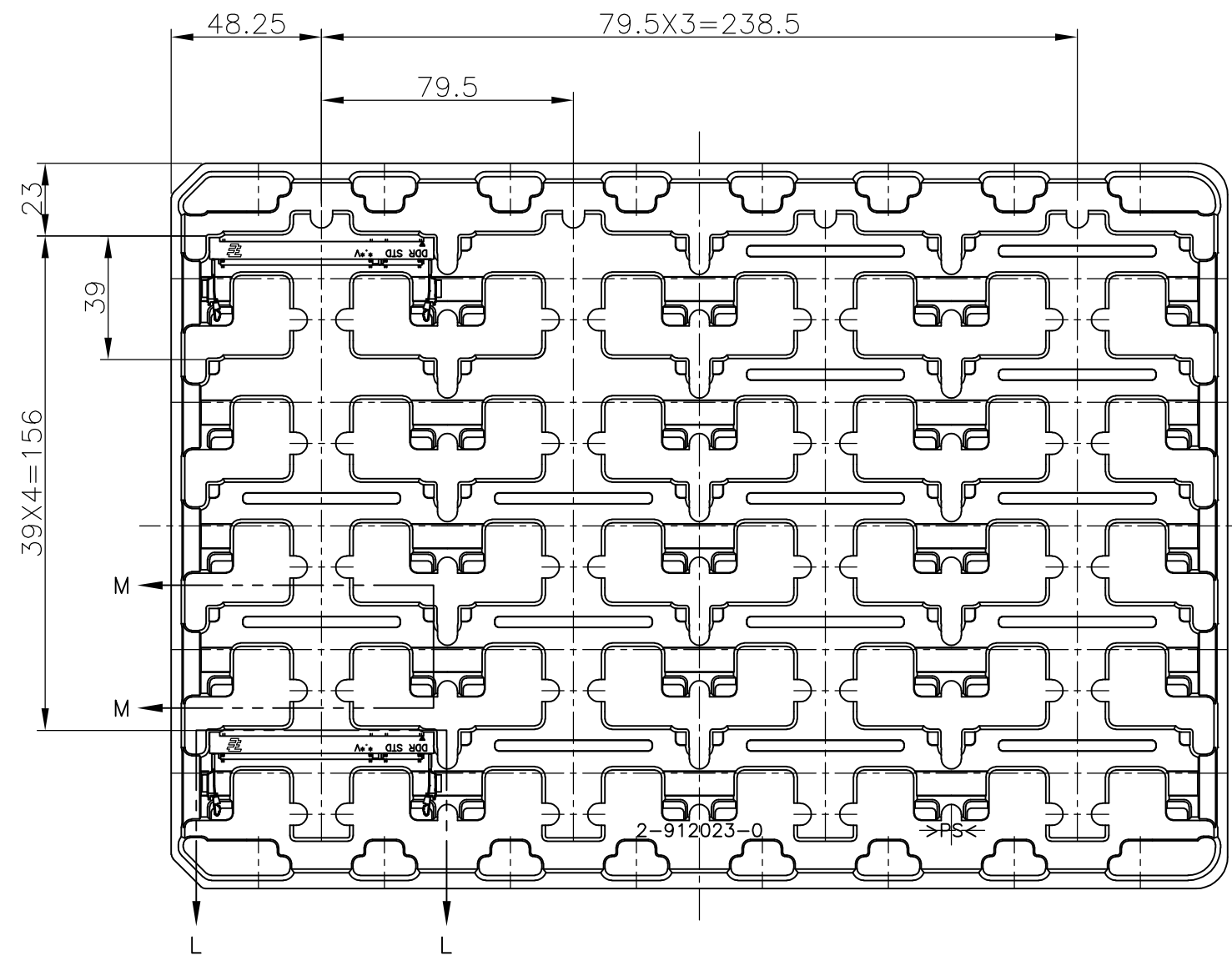


REFERENCE P.C.BOARD PATTERN LAYOUT FOR DUAL USE
(CONNECTOR MOUNTING SIDE)

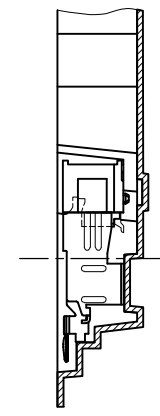
THIS DRAWING IS A CONTROLLED DOCUMENT.		DWN	TE Connectivity			
DIMENSIONS: MM		CHK				
TOLERANCES UNLESS OTHERWISE SPECIFIED:		APVD	NAME			
0 PLC ± 1 PLC ± 2 PLC ± 3 PLC ± 4 PLC ± ANGLES ± FINISH		PRODUCT SPEC	DDR1 & DDR2 SODIMM SOCKET 0.6mm PITCH 200POS 8mm HEIGHT STANDARD TYPE (LATCH DIRECT SOLDERING TYPE)			
MATERIAL		APPLICATION SPEC	SIZE	CAGE CODE	DRAWING NO	RESTRICTED TO
		WEIGHT	A3	00779	C-1827341	
CUSTOMER DRAWING			SCALE	SHEET	REV	
			2:1	2 OF 4	G2	

THIS DRAWING IS UNPUBLISHED. RELEASED FOR PUBLICATION FEB , 2005.
 © COPYRIGHT 2005 By - ALL RIGHTS RESERVED.

LOC		DIST		REVISIONS			
P	LTR	DESCRIPTION		DATE	DWN	APVD	
	-	SEE SHEET 1		-	-	-	

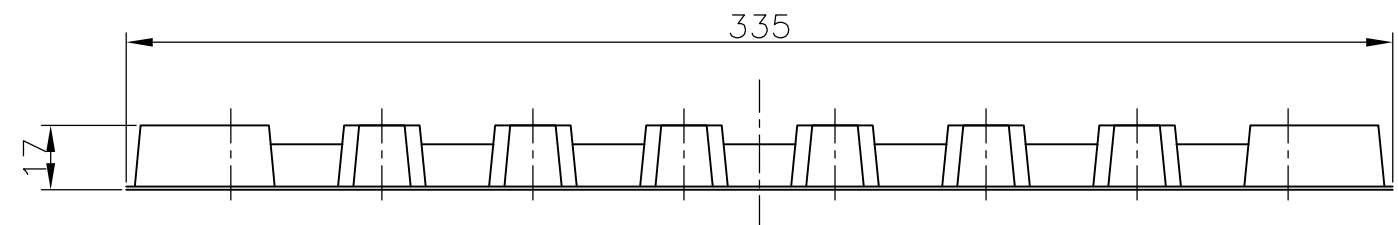


L-L
SCALE 1:1
(180DEG. ROTATE)



M-M
SCALE 1:1

1. THE DIRECTION OF EACH CONNECTOR ON A TRAY IS REFERRED TO THIS DRAWING.
2. GENERAL TOLERANCE: ±0.5



20EA/TRAY	1827341-4
QTY	P/N

THIS DRAWING IS A CONTROLLED DOCUMENT.		DWN		TE Connectivity	
DIMENSIONS: MM		CHK			
		APVD			
TOLERANCES UNLESS OTHERWISE SPECIFIED: 0 PLC ± 1 PLC ± 2 PLC ± 3 PLC ± 4 PLC ± ANGLES ± FINISH		NAME			
MATERIAL		PRODUCT SPEC		DDR1 & DDR2 SODIMM SOCKET 0.6mm PITCH 200POS 8mm HEIGHT STANDARD TYPE (LATCH DIRECT SOLDERING TYPE)	
		APPLICATION SPEC		SIZE	RESTRICTED TO
		WEIGHT		A3	
		CUSTOMER DRAWING		CAGE CODE	DRAWING NO
				00779	1827341
				SCALE	SHEET
				1:2	4 OF 4
				REV	G2

单击下面可查看定价，库存，交付和生命周期等信息

[>>TE Connectivity\(泰科\)](#)