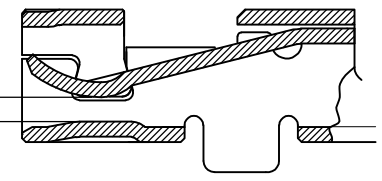
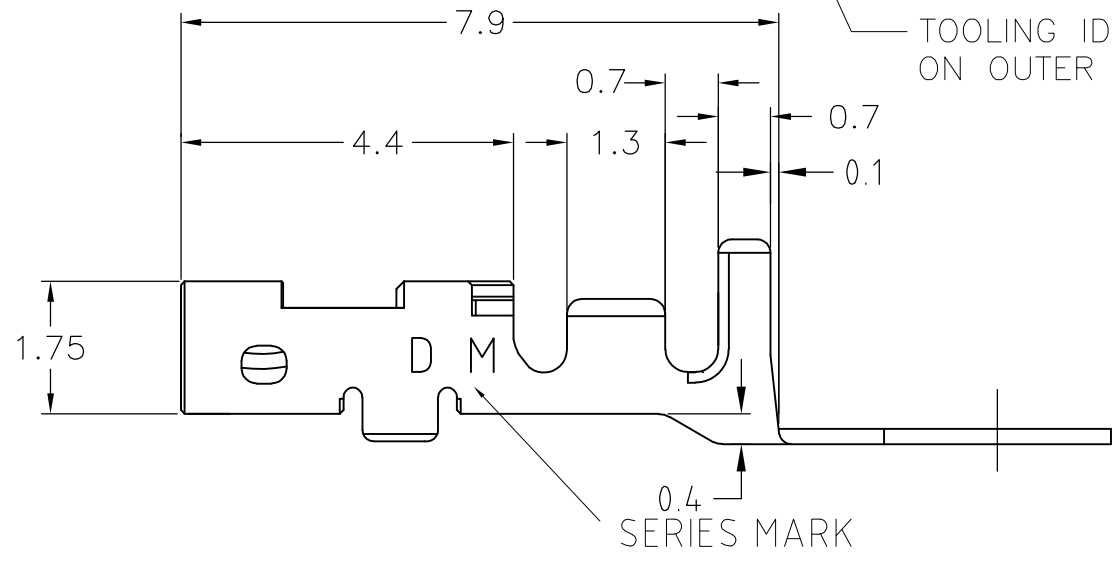
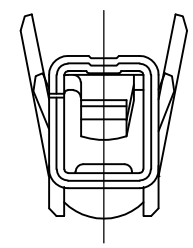
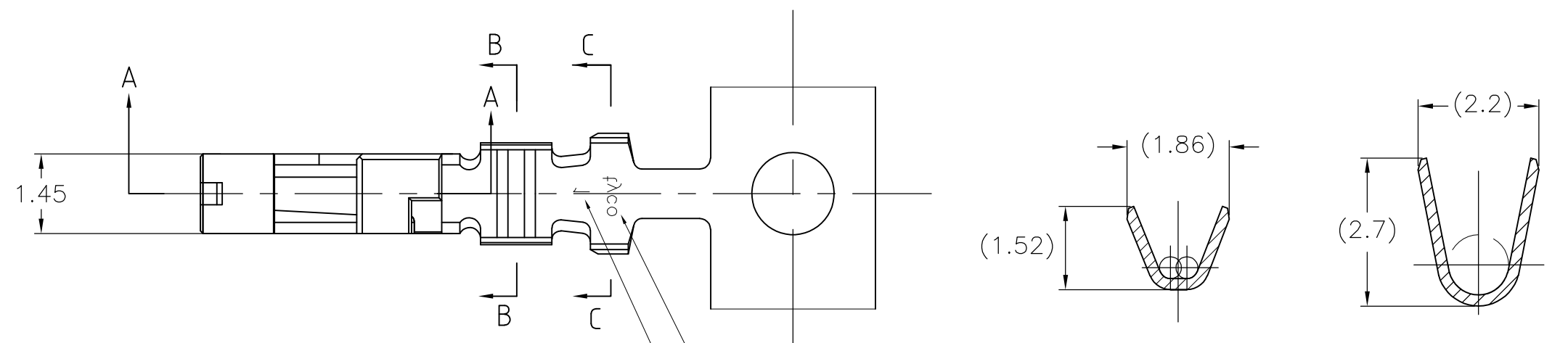



THIS DRAWING IS UNPUBLISHED. RELEASED FOR PUBLICATION
 © COPYRIGHT - By - ALL RIGHTS RESERVED.

REVISIONS 変更				
P	LTR	DESCRIPTION	DATE	APVD
	F	REVISED PER ECR-15-011723	08AUG2015	Y.O E.T



0.5tタブにかん合
MATE WITH 0.5t TAB

断面 A-A
SECT.

AWG#28~#22 0.08~0.38mm ²	φ1.08~φ1.6	COPPER ALLOY, FINISH: CONTACT AREA Au 0.38μm MIN, OVER Ni 1.27μm MIN 材料: 銅合金, 下地: Niめっき 1.27μm以上, 接点部: 金めっき 0.38μm以上	1827570-2
WIRE RANGE 導体断面積	INSULATION DIA 被覆外径	MATERIAL 材料	PART No. 型番
THIS DRAWING IS A CONTROLLED DOCUMENT.		DWN T.KUDO 04MAR2005	 TE Connectivity DYNAMIC D1000 SERIES REC CONTACT M TYPE REEL
DIMENSIONS: 単位: 耗 mm		CHK D.MITSUGI 04MAR2005	
TOLERANCES UNLESS OTHERWISE SPECIFIED: 一般公差		APVD D.MITSUGI 04MAR2005	
0 PLQ ± 0.3 1 PLC ± 2 PLC ± 3 PLC ± 4 PLC ± ANGLES ± 3deg		NAME D.MITSUGI	PRODUCT SPEC 製品規格 108-78268
MATERIAL 材料		FINISH 仕上	APPLICATION SPEC 取付適用規格 114-5377
		WEIGHT -	SIZE A3
		CAGE CODE 00779	
		DRAWING NO 番号 C-1827570	
		RESTRICTED TO -	
CUSTOMER DRAWING		SCALE 尺度 10:1	SHEET 1 OF 1
		REV F	

单击下面可查看定价，库存，交付和生命周期等信息

[>>TE Connectivity\(泰科\)](#)