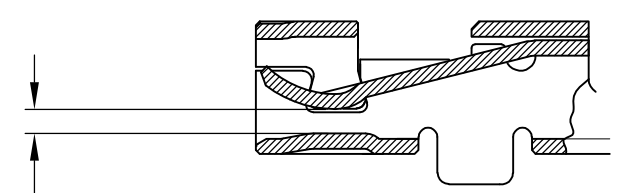
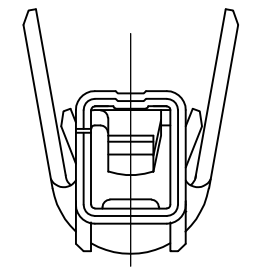
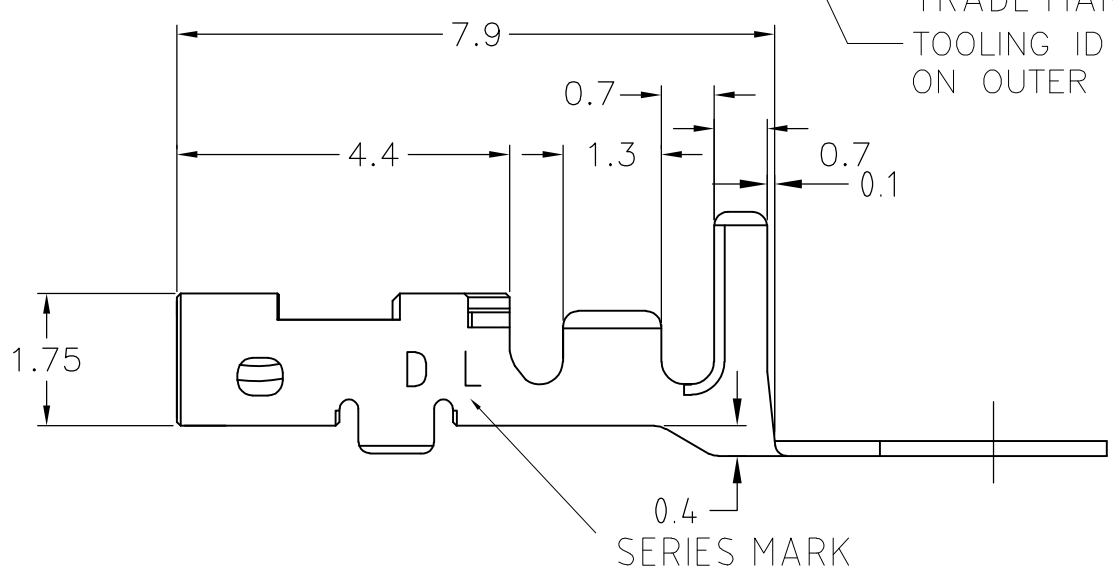
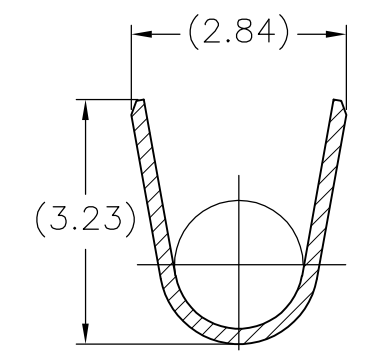
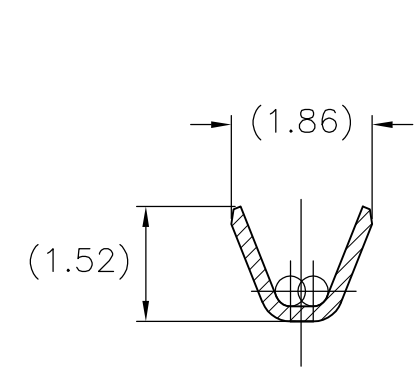
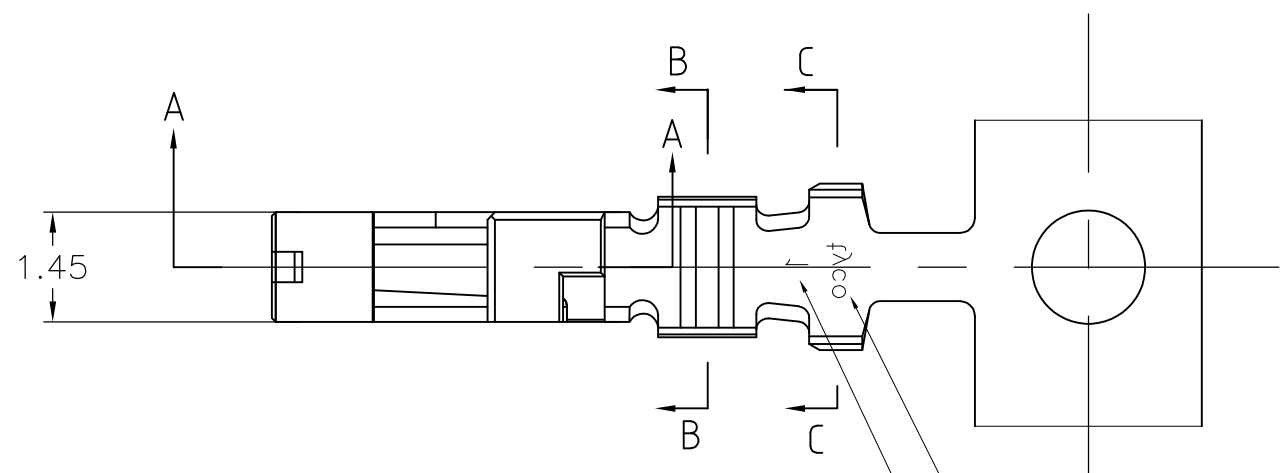


THIS DRAWING IS UNPUBLISHED. RELEASED FOR PUBLICATION  
 © COPYRIGHT - By - ALL RIGHTS RESERVED.

LOC	DIST	REVISIONS					
		P	LTR	DESCRIPTION	DATE	DWN	APVD
J	-	F		REVISED PER ECR-15-011723	08AUG2015	Y.O	E.T



0.5tタブにかん合  
MATE WITH 0.5t TAB

断面 A-A SECT.

TRADE MARK  
TOOLING ID MARK  
ON OUTER SURFACE

SERIES MARK

NOTE

1. Application REC-HSG is applied to the product of 2.5mm PITCH or more of DYNAMIC D1000SERIES. 2.0mmPITCH cannot be used

AWG#28~#22 0.08~0.38mm <sup>2</sup>	φ1.08~φ1.9	COPPER ALLOY, FINISH: CONTACT AREA Au 0.38μm MIN, OVER Ni 1.27μm MIN 材料: 銅合金, 下地: Niめっき1.27μm以上, 接点部: 金めっき0.38μm以上	1827571-2
WIRE RANGE 导体断面積	INSULATION DIA 被覆外径	MATERIAL 材料	PART No. 型番
THIS DRAWING IS A CONTROLLED DOCUMENT.		DWN T.KUDO 04MAR2005	TE Connectivity DYNAMIC D1000 SERIES REC CONTACT L TYPE REEL
DIMENSIONS: 単位: 耗 mm		CHK D.MITSUGI 04MAR2005	
TOLERANCES UNLESS OTHERWISE SPECIFIED: 一般公差		APVD D.MITSUGI 04MAR2005	NAME 名称
0 PLC ± 0.3 1 PLC ± 2 PLC ± 3 PLC ± 4 PLC ± ANGLES ± 3deg		PRODUCT SPEC 製品規格 108-78268	DRAWING NO 番号 C-1827571
MATERIAL 材料		APPLICATION SPEC 取付適用規格 114-5377	
FINISH 仕上		WEIGHT -	RESTRICTED TO -
CUSTOMER DRAWING		SIZE A3	CAGE CODE 00779
SCALE 尺度 10:1		SHEET 1 OF 1	REV F

单击下面可查看定价，库存，交付和生命周期等信息

[>>TE Connectivity\(泰科\)](#)