

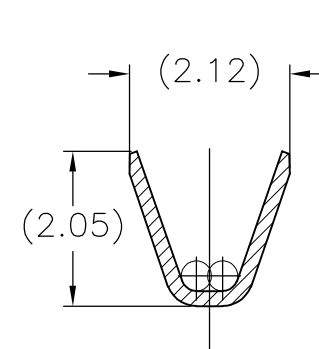
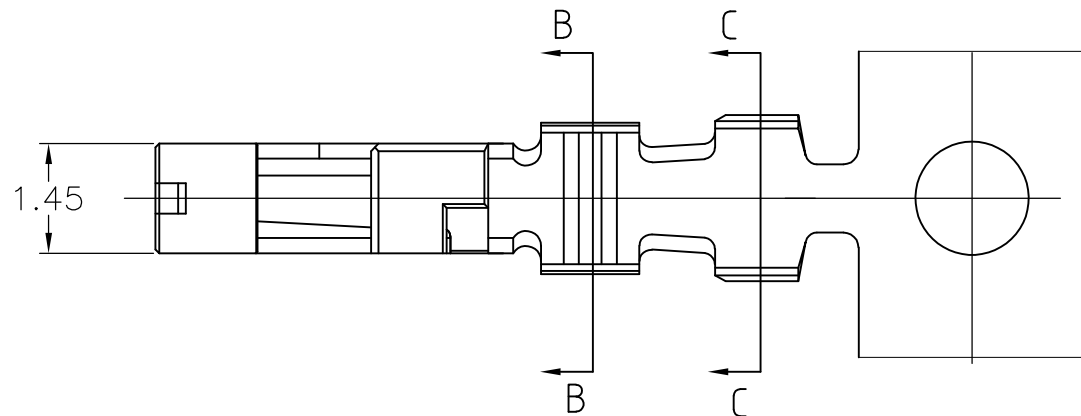
THIS DRAWING IS UNPUBLISHED.

RELEASED FOR PUBLICATION

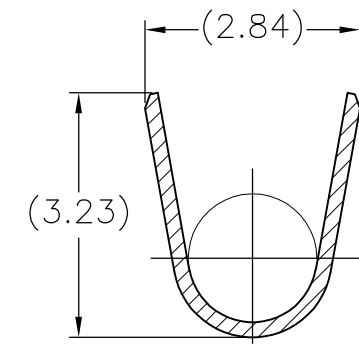
ALL RIGHTS RESERVED.

© COPYRIGHT - By -

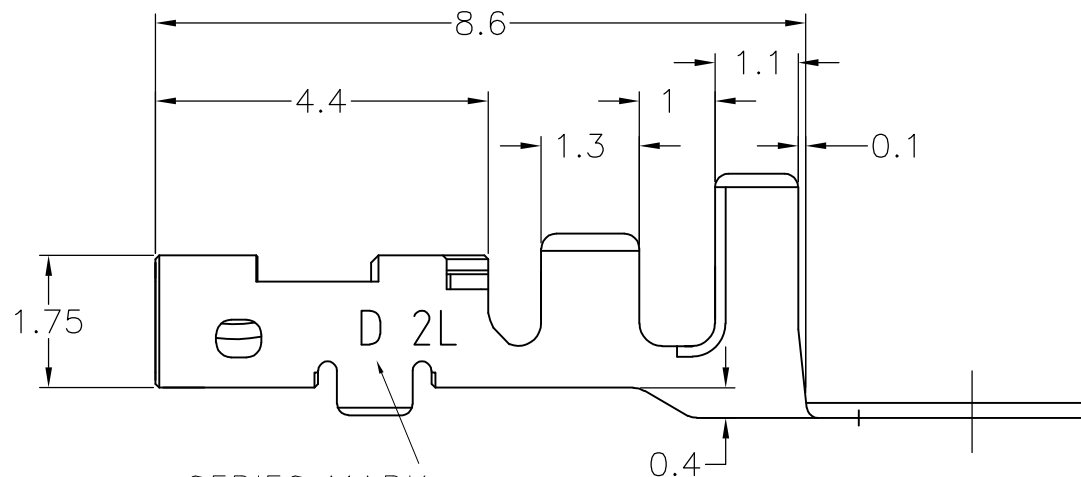
LOC	DIST	REVISIONS					
		P	LTR	DESCRIPTION	DATE	DWN	APVD
J	-	D		REVISED PER ECR-15-011723	08AUG2015	Y.O	E.T



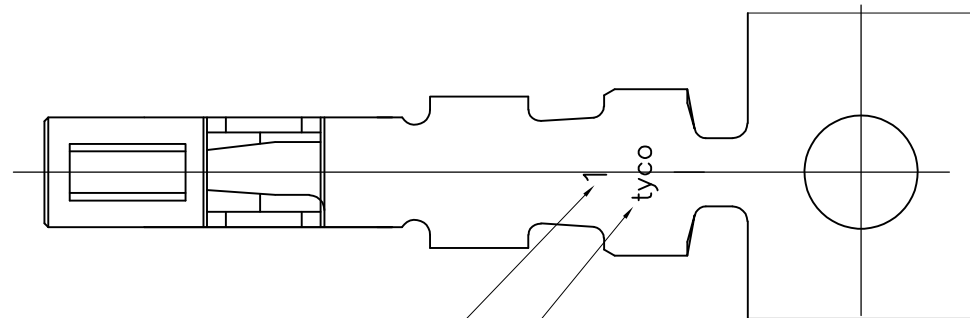
断面 B-B SECT.



断面 C-C SECT.




SERIES MARK



TOOLING ID MARK

TRADE MARK

1. APPLICATION REC HSG IS APPLIED TO THE PRODUCT OF 2.5mm PITCH OR MORE OF DYNAMIC D1000 SERIES. 2.0mm PITCH CANNOT BE USED.

AWG#22~#18 0.34~0.86mm ²	φ 1.4~φ 2.2	ALL OVER : NICKEL PLATING 1.27μm MIN CONTACT AREA : GOLD PLATING 0.38μm MIN OVER NICKEL 全面 : ニッケル下地めっき1.27μm以上 接点部 : ニッケル下地めっきの上に金めっき0.38μm以上	COPPER ALLOY 銅合金	1827572-2
WIRE RANGE 导体断面積	INSULATION DIA 被覆外径	FINISH 仕上	MATERIAL 材料	PART NO 型番
THIS DRAWING IS A CONTROLLED DOCUMENT.		DWN T.KUDO 04MAR2005	 TE Connectivity DYNAMIC D1000 SERIES REC CONTACT (2L TYPE) REEL	
DIMENSIONS: 単位: 耗 mm		CHK D.MITSUGI 04MAR2005		
TOLERANCES UNLESS OTHERWISE SPECIFIED: 一般公差		APVD D.MITSUGI 04MAR2005	NAME 名称	
0 PLQ ± 0.3 1 PLC ± 2 PLC ± 3 PLC ± 4 PLG ± ANGLES ± 3deg		PRODUCT SPEC 製品規格 108-78268	DRAWING NO 番号 C-1827572	
MATERIAL 材料		APPLICATION SPEC 取付適用規格 114-5377	SIZE A3	RESTRICTED TO —
		WEIGHT 0	CAGE CODE 00779	REV D
		CUSTOMER DRAWING		SCALE 尺度 10:1
				SHEET 1 OF 1

单击下面可查看定价，库存，交付和生命周期等信息

[>>TE Connectivity\(泰科\)](#)