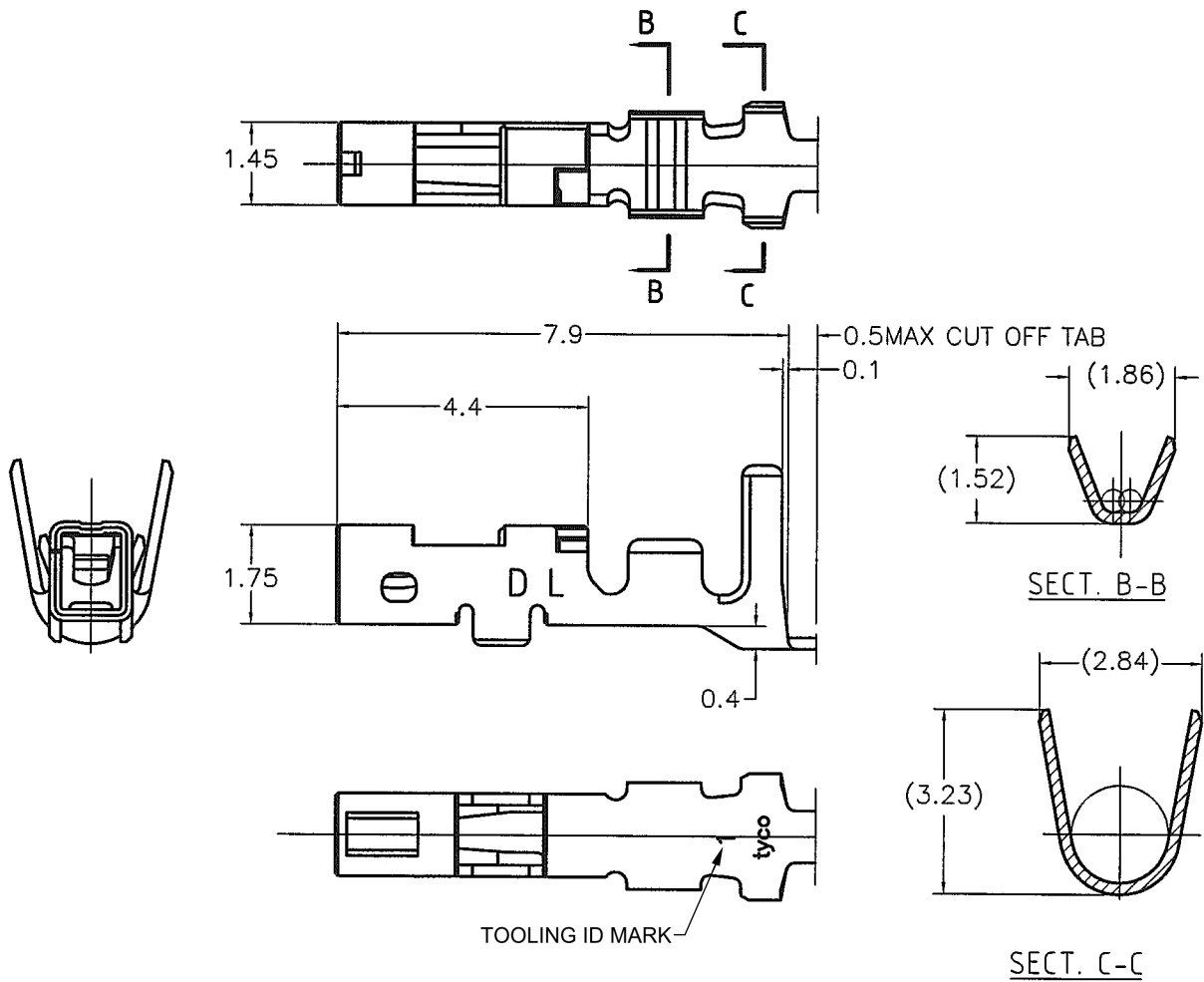



LOC	DIST	REVISIONS 変更					
J	-	P	LTR	DESCRIPTION	DATE	DWN	APVD
		B		REVISED PER ECR-15-011723	08AUG15	Y.O	E.T



NOTE

1. GENERAL TORELANCE : $\pm 0.3, \pm 3^\circ$
2. Application REC-HSG is applied to the product of 2.5mm PITCH or more of DYNAMIC D1000SERIES. 2.0mmPITCH cannot be used

1827588-2
PART NUMBER

DIMENSIONS: 单位: 毫米 mm TOLERANCES UNLESS OTHERWISE SPECIFIED: 一般公差 0 PLC $\pm -$ 1 PLC $\pm -$ 2 PLC $\pm -$ 3 PLC $\pm -$ 4 PLC $\pm -$ ANGLES $\pm -$	DWN T.KUDO 23MAR2005	MATERIAL 材料 COPPER ALLOY	FINISH OVER Ni PL : 1.27 μ m MIN 仕上 Au PL(CONTACT AREA):0.38 μ m MIN		
	CHK D.MITSUGI 23MAR2005	 TE Connectivity			
	APVD D.MITSUGI 23MAR2005				
	PRODUCT SPEC 製品規格 108-78268	NAME 名称 DYNAMIC D1000 SERIES REC CONTACT (L TYPE)(L/P)	SIZE A4	CAGE CODE 00779	DRAWING NO 番号 C-1827588
APPLICATION SPEC 取付適用規格 114-5377	WEIGHT -	CUSTOMER DRAWING			
SCALE 尺度 8:1		SHEET 1 OF 1		REV B	

THIS DRAWING IS UNPUBLISHED. ALL RIGHTS RESERVED. BY TYCO ELECTRONICS CORPORATION.

单击下面可查看定价，库存，交付和生命周期等信息

[>>TE Connectivity\(泰科\)](#)