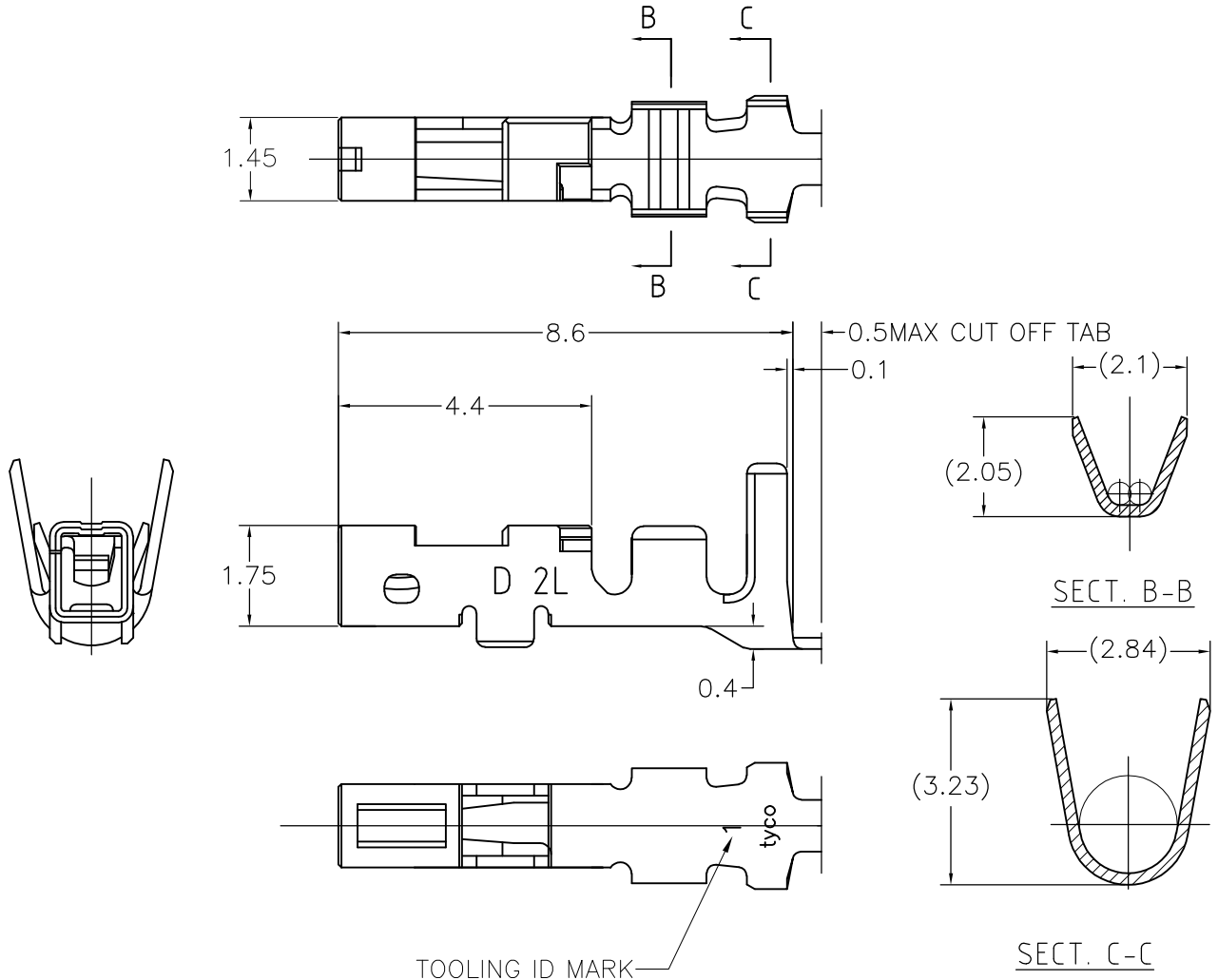


LOC	DIST	REVISIONS			DATE	DWN	APVD
J	-	P	LTR	変更 DESCRIPTION	08AUG2015	Y.O	E.T
		B		REVISED PER ECR-15-011723			



NOTE

1. GENERAL TOLERANCE : $\pm 0.3, \pm 3^\circ$
2. Application REC-HSG is applied to the product of 2.5mm PITCH or more of DYNAMIC D1000SERIES. 2.0mm PITCH cannot be used


RELEASED FOR PUBLICATION

ALL RIGHTS RESERVED.

THIS DRAWING IS UNPUBLISHED.

By -

© COPYRIGHT

DIMENSIONS: 单位: 耗 mm	DWN	T.KUDO	23MAR2005	MATERIAL	COPPER ALLOY	FINISH OVER Ni PL : 1.27μm MIN 仕上 Au PL (CONTACT AREA): 0.38μm MIN								
	CHK	D.MITSUGI	23MAR2005	 TE Connectivity										
TOLERANCES UNLESS OTHERWISE SPECIFIED: 一般公差	APVD	D.MITSUGI	23MAR2005				NAME	DYNAMIC D1000 SERIES REC CONTACT (2L TYPE)(L/P)						
	0 PLC ± - 1 PLC ± - 2 PLC ± - 3 PLC ± - 4 PLC ± - ANGLES ± -	PRODUCT SPEC	製品規格	108-78268	SIZE	A4	CAGE CODE	00779	DRAWING NO	番号	1827589	RESTRICTED TO	-	
	APPLICATION SPEC	取付適用規格	114-5377	WEIGHT	-	CUSTOMER DRAWING		SCALE	尺度	8:1	SHEET	1 OF 1	REV	B

单击下面可查看定价，库存，交付和生命周期等信息

[>>TE Connectivity\(泰科\)](#)