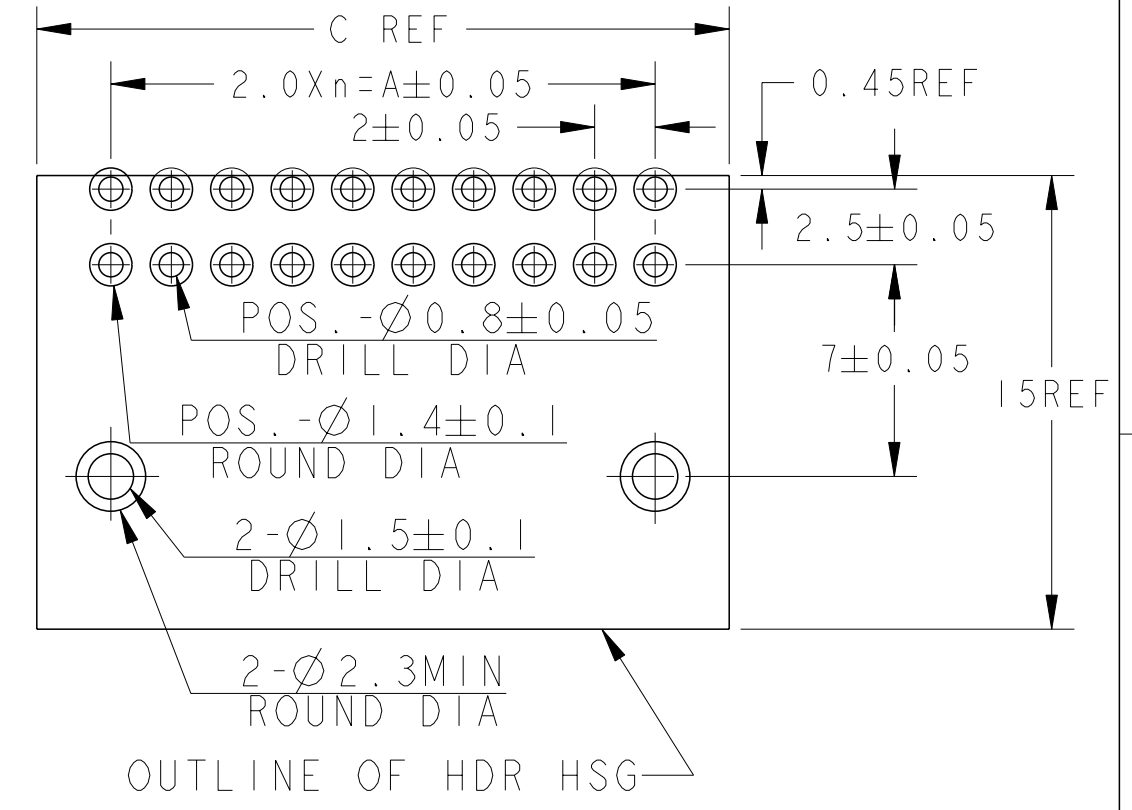
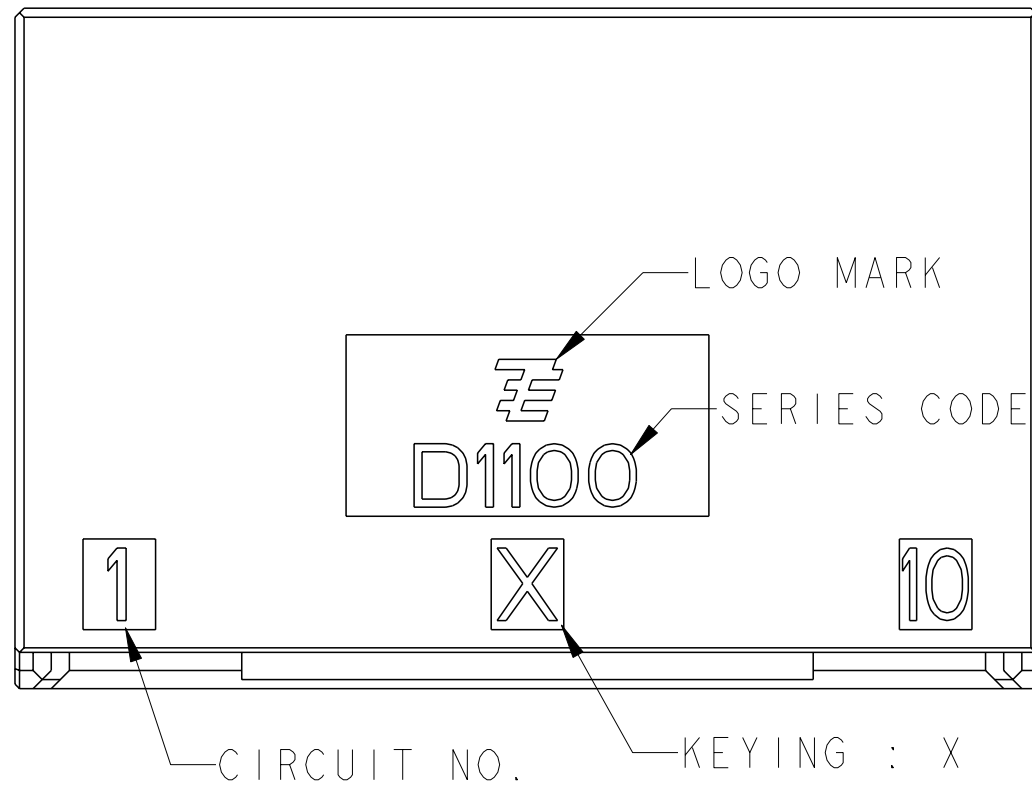
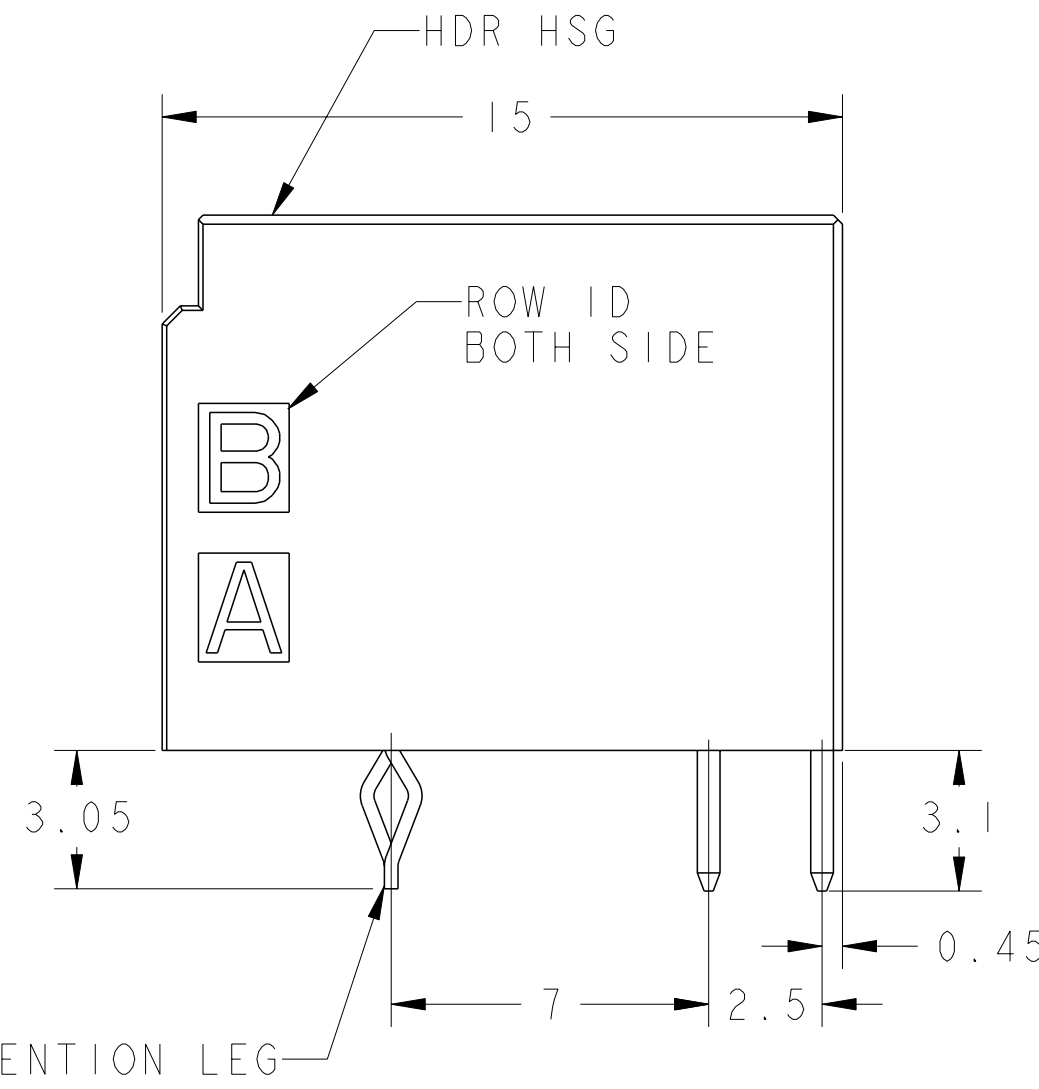
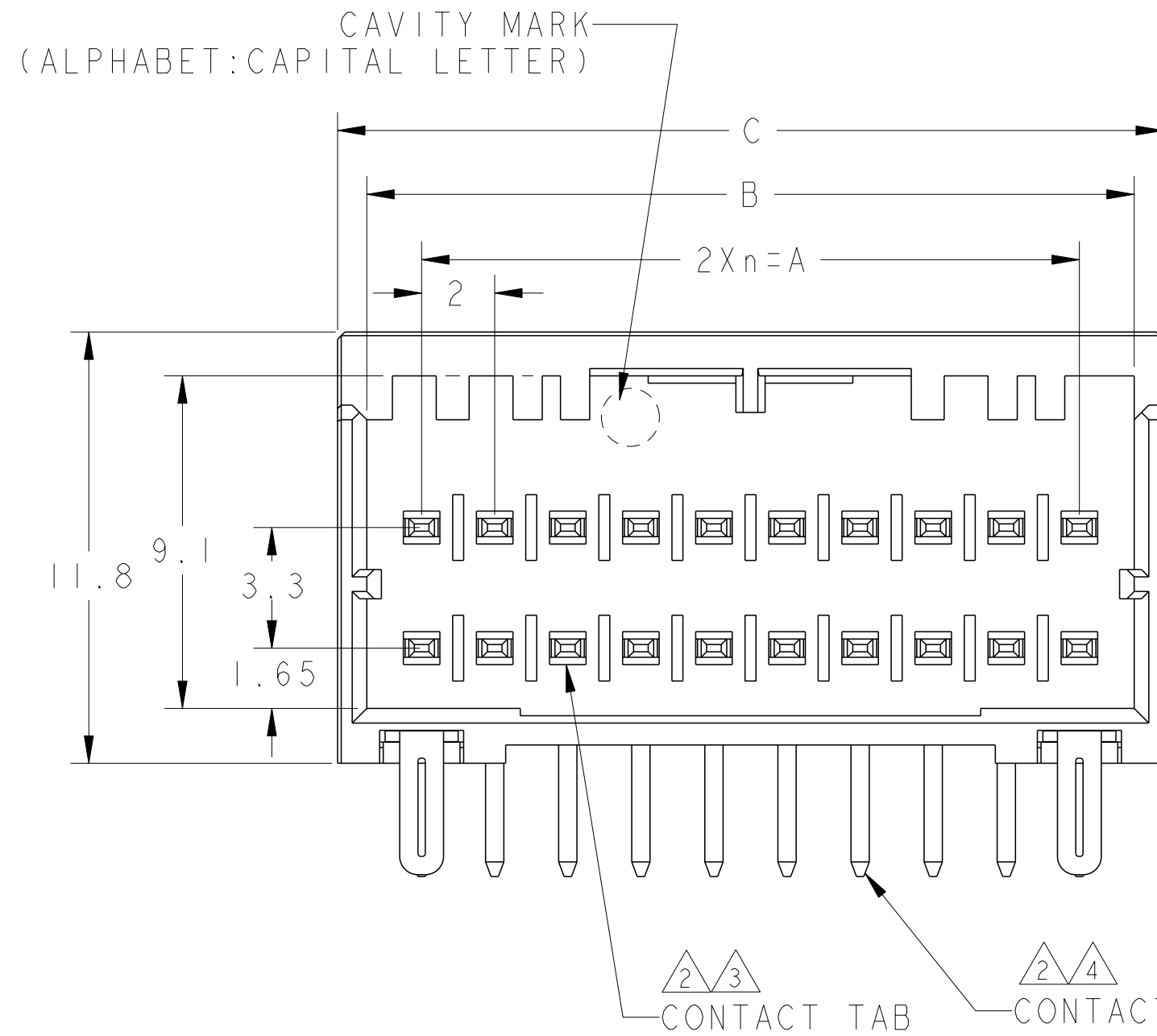


1. MATERIAL: HOUSING: GLASS FIBER THERMO PLASTIC
 POLYESTER(94V-0), COLOR: BLACK
 CONTACT: COPPER ALLOY
 RETENTION LEG: PRE-TIN COPPER ALLOY
 2 FINISH(ALL OVER): NICKEL PL. 1.27μmMIN
 3 FINISH(CONTACT AREA): AU PL. 0.38μmMIN AFTER 2
 4 FINISH(CONTACT TAIL): TIN PL. 2μmMIN AFTER 2

REVISIONS				
P	LTR	DESCRIPTION	DATE	APVD
D		REVISED	16JUN2016	T.S N.Y
DI		REVISED PER ECR-17-005500	2MAY2017	N.W X.X



RECOMMEND PC BOARD HOLE PATTERN
 : CONNECTOR MOUNT SIDE (NOT ACCUMULATE TOLERANCE)
 PC BOARD THICKNESS : 1.0~1.6±0.1



20	X	9	18.0	21.0	22.6	Sn PLATED	2-1827873-0
20	X	9	18.0	21.0	22.6	GOLD PLATED	1-1827873-0
10	X	4	8.0	11.0	12.6	Sn PLATED	2-1827873-5
10	X	4	8.0	11.0	12.6	GOLD PLATED	1-1827873-5
POS. KEY	n	A	B	C	FINISHED	PART NO.	

20P: 1-1827873-0

THIS DRAWING IS A CONTROLLED DOCUMENT.

DWN	T. KUDO	17JAN2005
CHK	D. MITSUGI	31AUG2005
APVD	D. MITSUGI	31AUG2005
PRODUCT SPEC	108-78268/78298	
APPLICATION SPEC	114-5377	
WEIGHT		

STE TE Connectivity

NAME: DYNAMIC D1100D 2.0mm PITCH HDR ASSY, H-TYPE 4-20POS

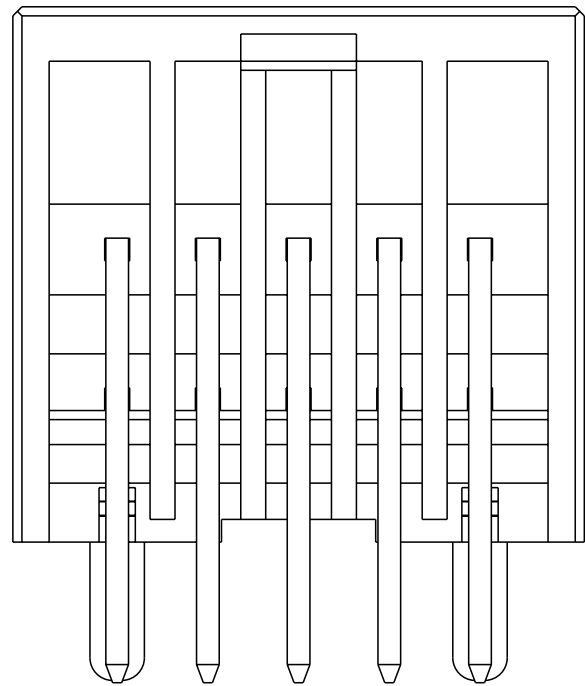
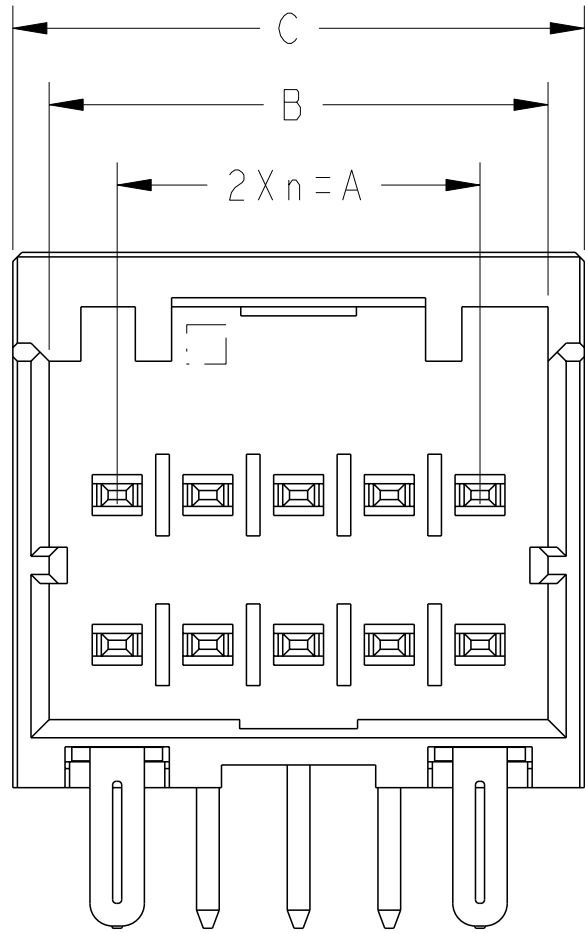
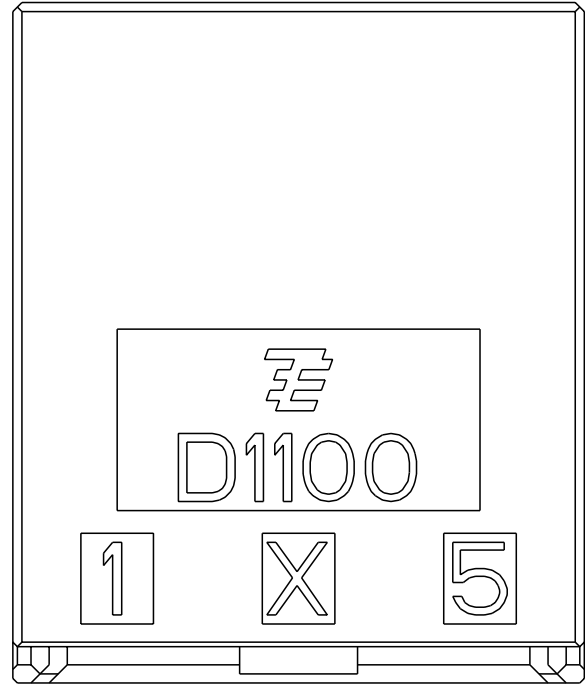
SIZE: A2 CAGE CODE: C-1827873 DRAWING NO: 114-5377

RESTRICTED TO: -


Customer Drawing SCALE: 6:1 SHEET: 1 OF 2 REV: D1

THIS DRAWING IS UNPUBLISHED. RELEASED FOR PUBLICATION 2005
 © COPYRIGHT 2005 BY - ALL RIGHTS RESERVED.

REVISIONS				
P	LTR	DESCRIPTION	DATE	APVD
-	-	SEE SHEET 1	-	-



IOP: 1-1827873-5

THIS DRAWING IS A CONTROLLED DOCUMENT.		DWN T. KUDO 17 JAN 2005	 TE Connectivity	
DIMENSIONS: mm		CHK D. MITSUGI 31 AUG 2005		
TOLERANCES UNLESS OTHERWISE SPECIFIED:		APVD D. MITSUGI 31 AUG 2005	NAME DYNAMIC D1100D 2.0mm PITCH HDR ASSY, H-TYPE 4-20POS	
0 PLC ±- 1 PLC ±0.3 2 PLC ±0.10 3 PLC ±0.001 4 PLC ±0.0001 ANGLES ±- FINISH ±-		PRODUCT SPEC 108-78268	SIZE A200779	CAGE CODE C-1827873
MATERIAL TBD	WEIGHT	114-5377	DRAWING NO	RESTRICTED TO
Customer Drawing		SCALE 6:1	SHEET 2 OF 2	REV D1

单击下面可查看定价，库存，交付和生命周期等信息

[>>TE Connectivity\(泰科\)](#)