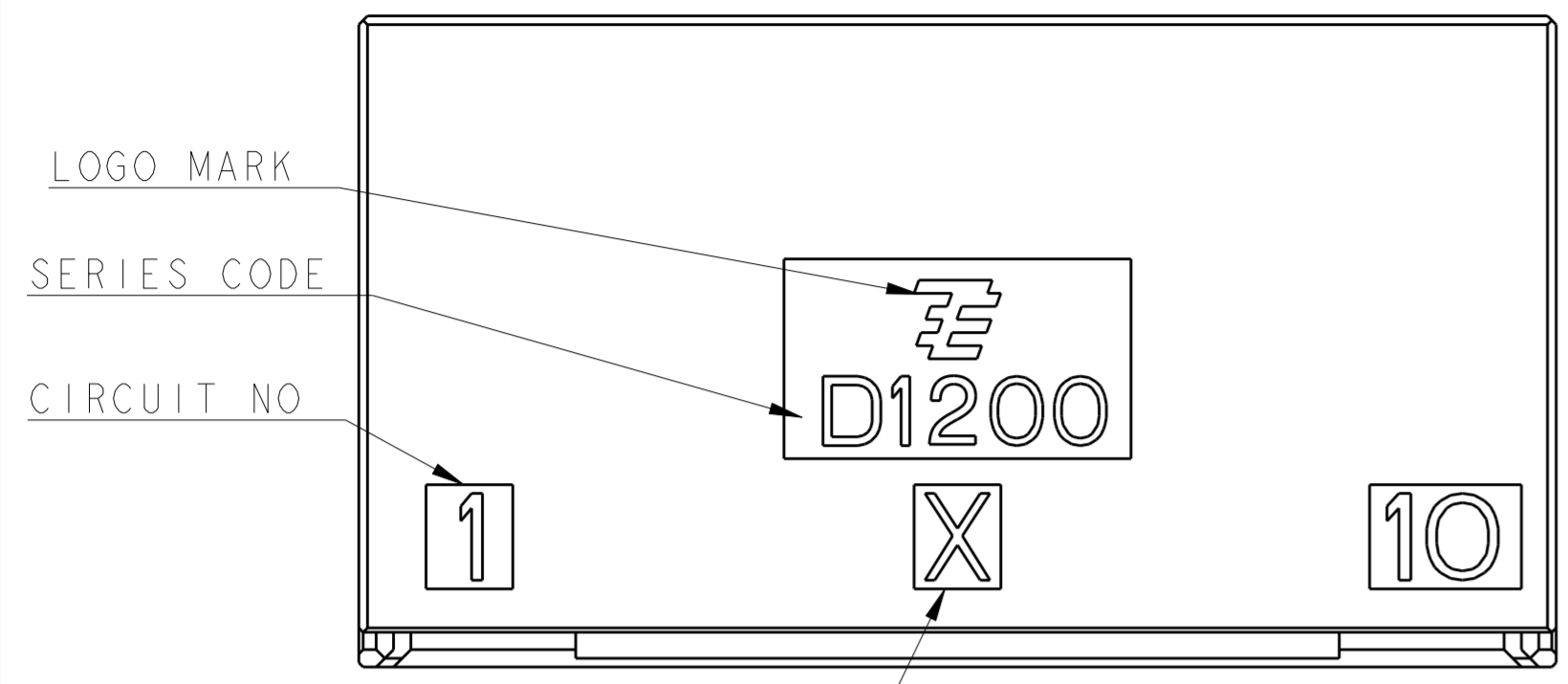


THIS DRAWING IS UNPUBLISHED. RELEASED FOR PUBLICATION 20
 © COPYRIGHT 20 ALL RIGHTS RESERVED.

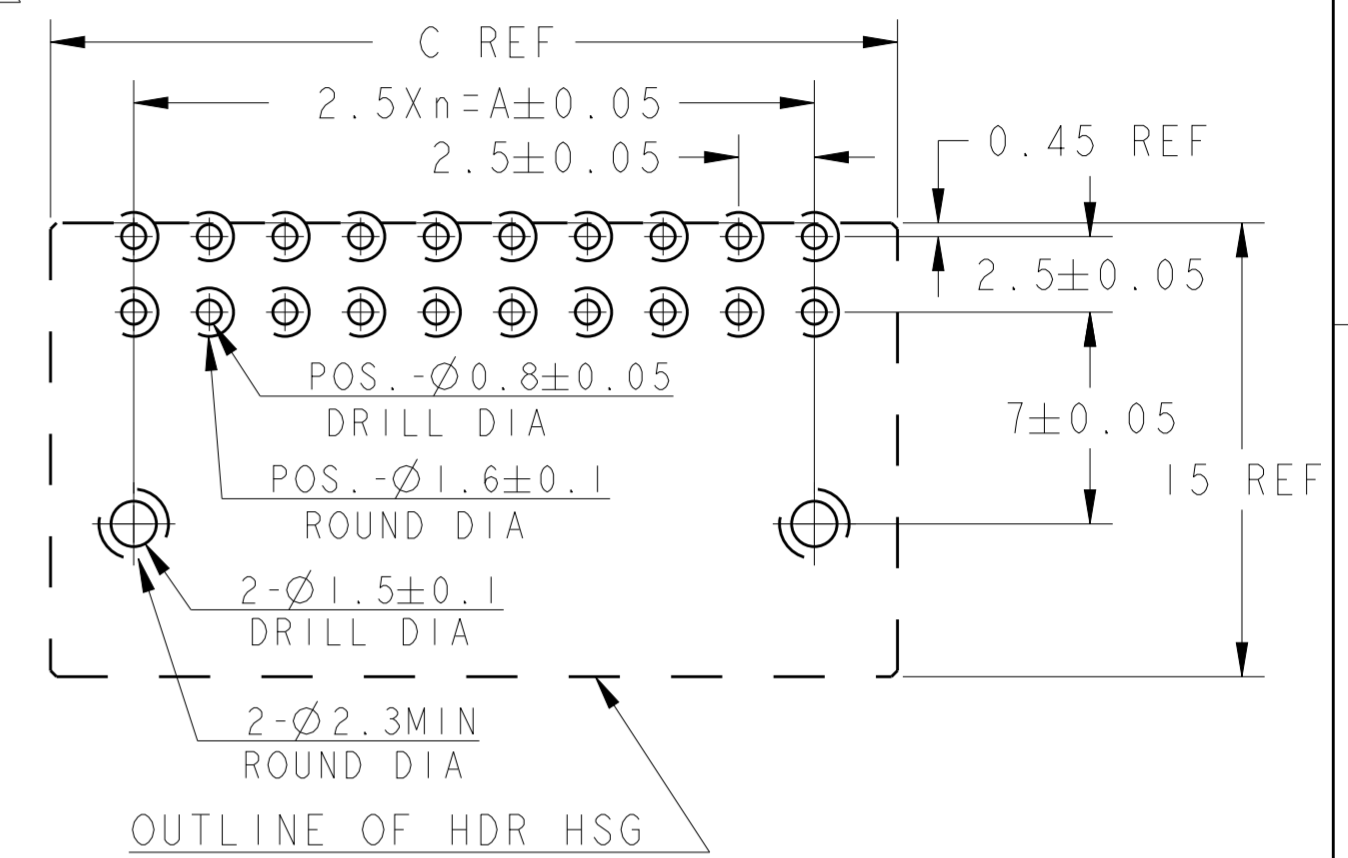
1. MATERIAL: HOUSING: GLASS FILED THERMO PLASTIC POLYESTER(94V-0), COLOR: BLACK
 CONTACT: COPPER ALLOY
 RETENTION LEG: PRE-TIN COPPER ALLOY

REVISONS		DATE	DWN	APVD
P	LTR	DESCRIPTION		
C2		REVISED PER ECR-17-009217	24JUL2017	K.T E.T



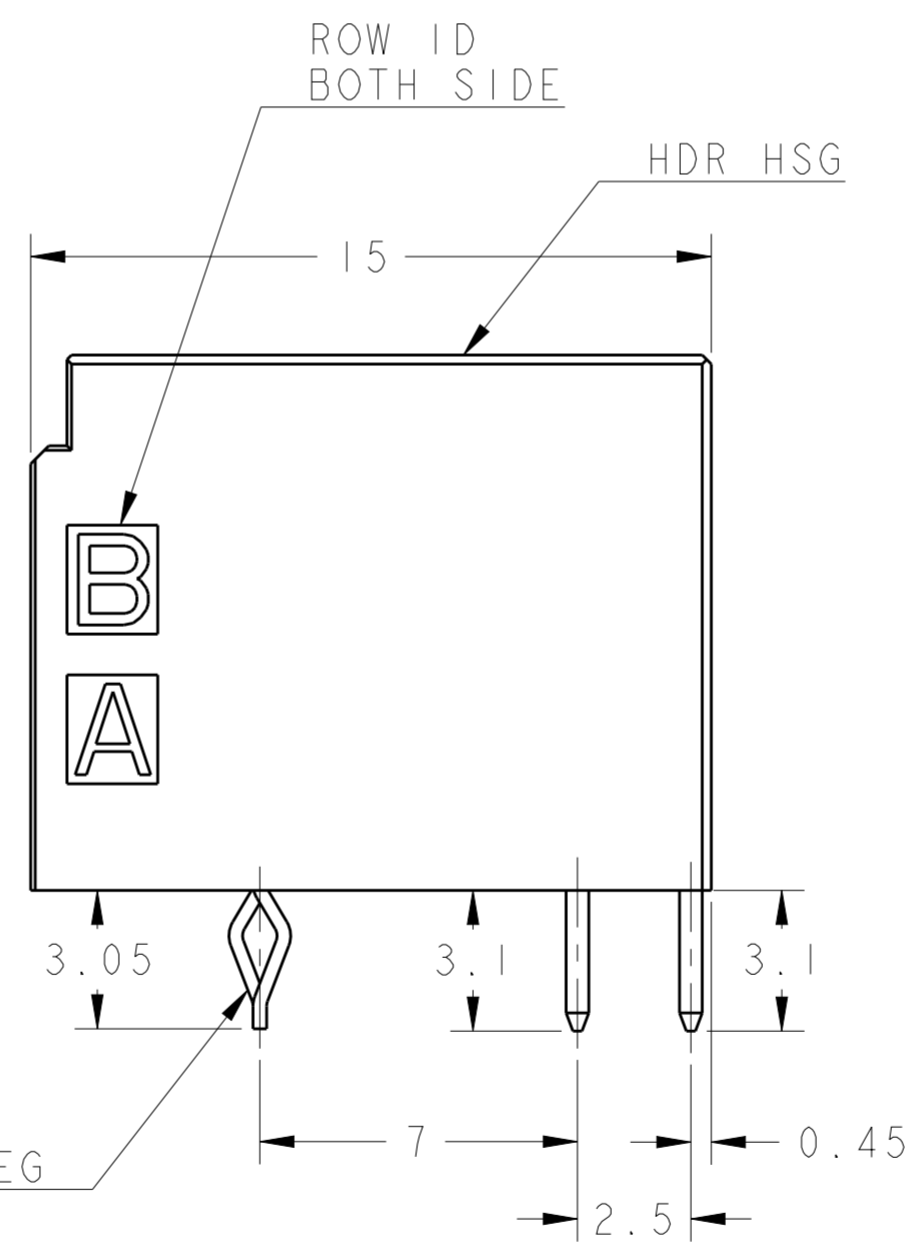
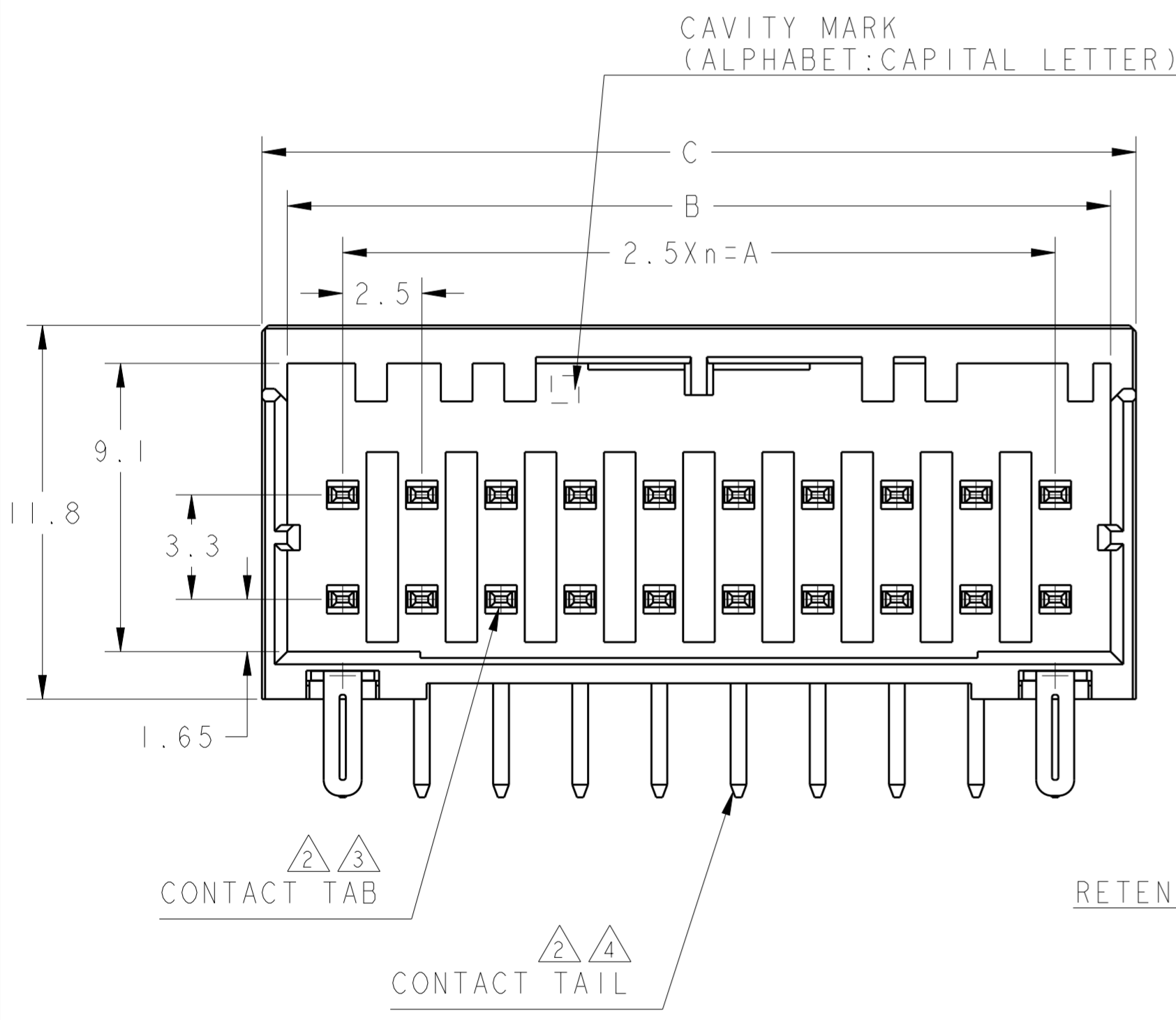
- 2. FINISH(ALL OVER): NICKEL PL. 1.27μmMIN
- 3. FINISH(CONTACT AREA): GOLD PL. 0.38μmMIN AFTER 2
- 4. FINISH(CONTACT TAIL): TIN PL. 2μmMIN AFTER 2
- 5. THE SHAPE, SIZE AND POSITION OF THE CHARACTER SHOW THE OUTLINE. THEY DON'T SHOW DETAILS.
- 6. THE KEYING ARRANGEMENT OF "Y" IS SYMMETRIC WITH "X".

- 1. 材料: ハウジング: ガラス入り熱可塑性ポリエステル樹脂(94V-0)、色: 黒
 コンタクト: 銅合金
 リテンションレグ: 錫めっき済銅合金
- 2. めっき: 全面: ニッケル下地めっき1.27μm以上
- 3. めっき: 接触部 2の上に金めっき0.38μm以上
- 4. めっき: コンタクト半田付部: 2の上に錫めっき2μm以上
- 5. 文字の形状、大きさ、および位置については、大略を示すものであり、詳細を示すものではありません。
- 6. Y KEY形状は、X KEY形状と左右対称



推奨基板取付寸法 : コネクタ搭載面(非累積公差)
 PC基板厚 : 1.0~1.6±0.1

RECOMMEND PC BOARD HOLE PATTERN : CONNECTOR MOUNT SIDE(NOT ACCUMULATE TOLERANCE)
 PC BOARD THICKNESS : 1.0~1.6±0.1



AS SHOWN : 1-1827876-0 (20POS:X-KEY)
 ONLY 4POS----SEE SHEET 2 OF 3

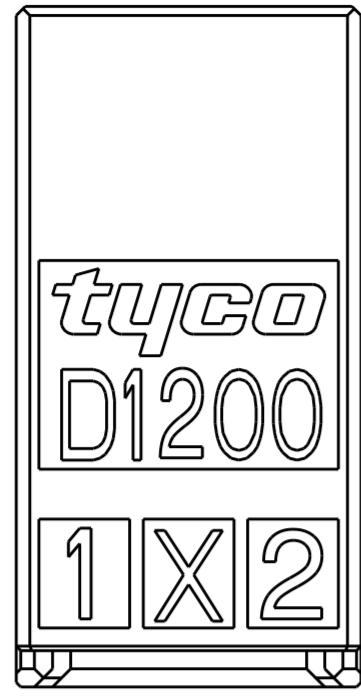
POS	KEY	n	A	B	C	PART NO
20	Y	9	22.5	26.0	27.6	2-1827876-0
20	X	9	22.5	26.0	27.6	1-1827876-0
12	Y	5	12.5	16.0	17.6	2-1827876-6
12	X	5	12.5	16.0	17.6	1-1827876-6
8	Y	3	7.5	11.0	12.6	2-1827876-4
8	X	3	7.5	11.0	12.6	1-1827876-4
6	Y	2	5.0	8.5	10.1	2-1827876-3
6	X	2	5.0	8.5	10.1	1-1827876-3
4	Y	1	2.5	6.0	7.6	2-1827876-2
4	X	1	2.5	6.0	7.6	1-1827876-2

1-1827876-0
 (20POS:X-KEY)

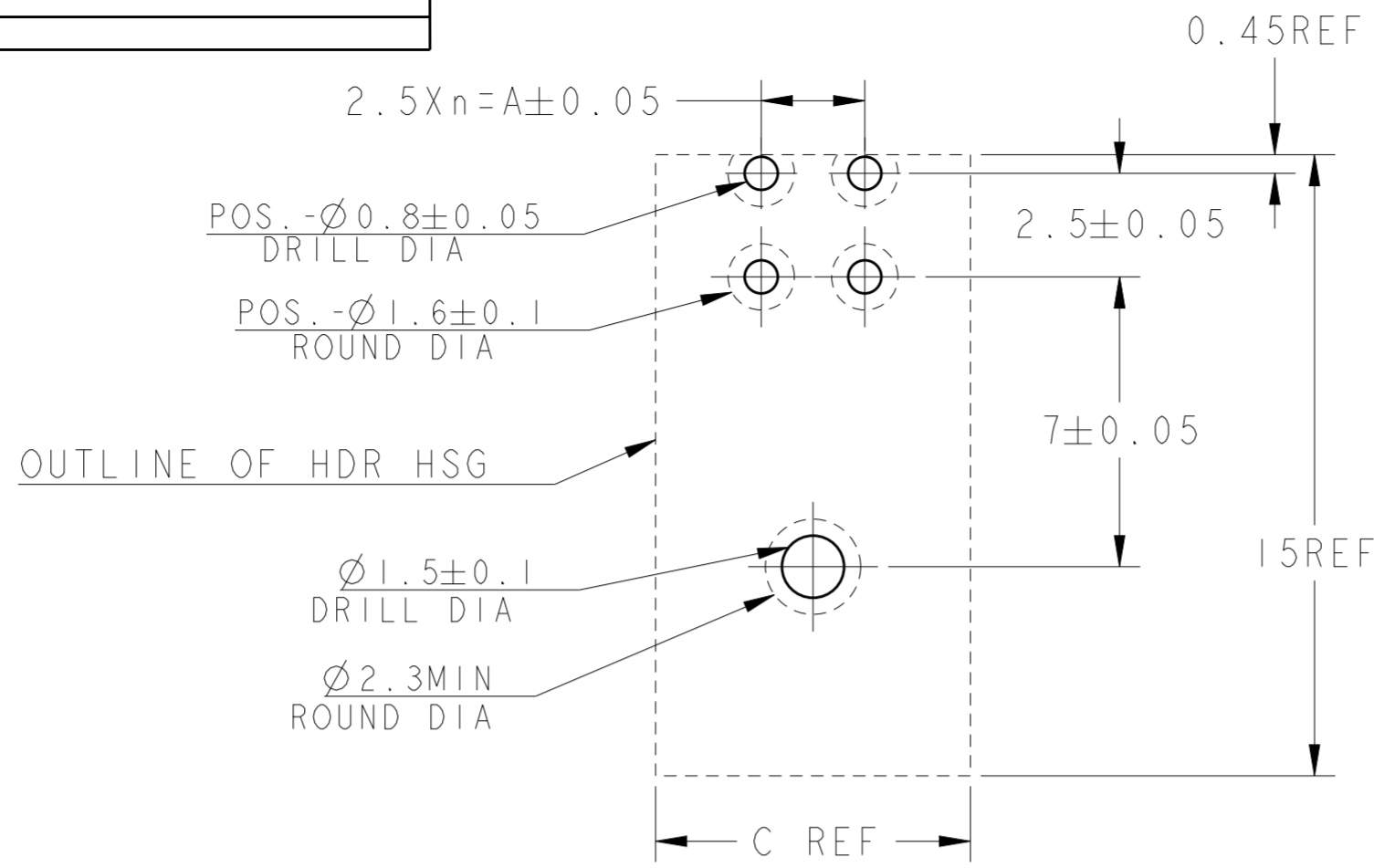
THIS DRAWING IS A CONTROLLED DOCUMENT.

DWN T. KUDO 13JAN2005	 TE Connectivity DYNAMIC D1200D 2.5mmPITCH HDR ASSY (H-TYPE) 4-20POS	NAME D. MITSUGI	RESTRICTED TO
CHK D. MITSUGI 14MAR2005		SIZE A200779	
APVD D. MITSUGI 14MAR2005		DRAWING NO C-1827876	
PRODUCT SPEC 108-78268		SCALE 6:1	
TOLERANCES UNLESS OTHERWISE SPECIFIED: 一般公差 ±0.3, ±3° 0-PLC ±0.5 1-PLC ±0.5 2-PLC ±0.13 3-PLC ±0.013 4-PLC ±0.0001 ANGLES ± FINISH 仕上	APPLICATION SPEC 114-5377	SHEET 1 OF 3	REV C2
DIMENSIONS: 単位: 桁 mm	MATERIAL 材料	CUSTOMER DRAWING	

LOC		DIST		REVISIONS			
P	LTR	DESCRIPTION	DATE	DWN	APVD		
J	-	SEE SHEET 1	-	-	-	-	-



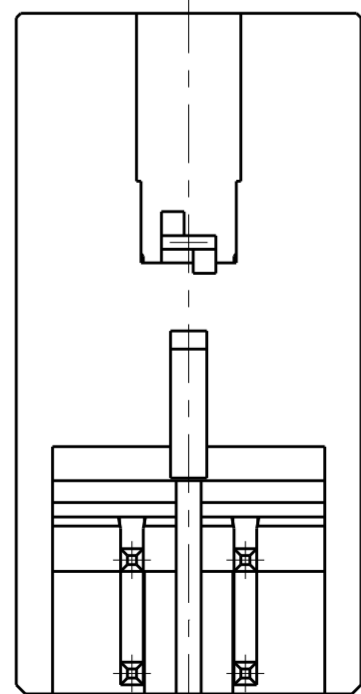
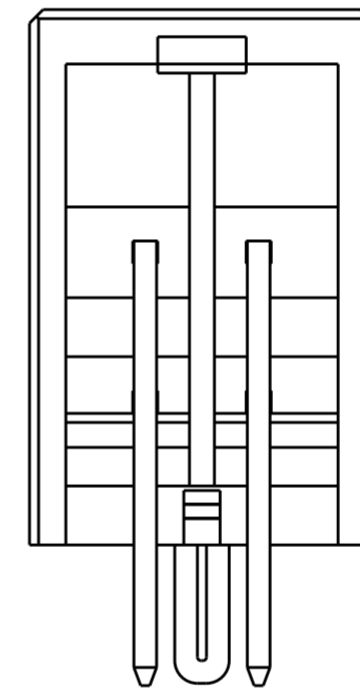
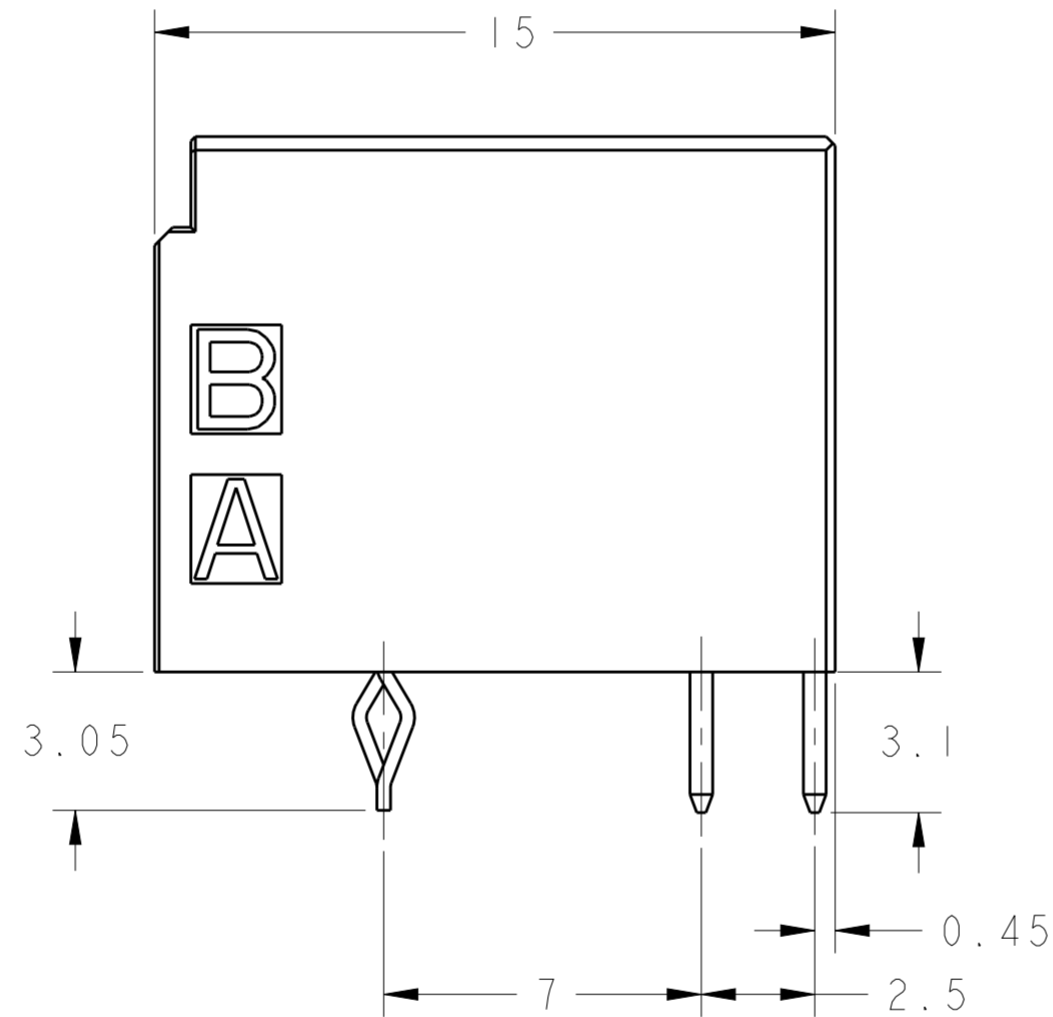
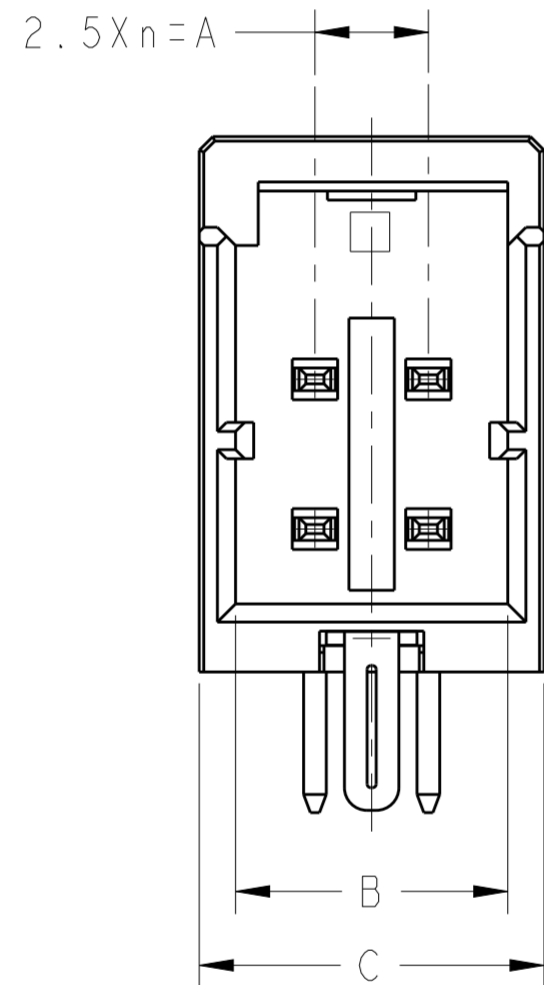
1-1827876-2
(4POS: X-KEY)



推奨基板取付穴寸法 : コネクタ搭載面 (非累積公差)
 PC基板厚 : $1.0 \sim 1.6 \pm 0.1$

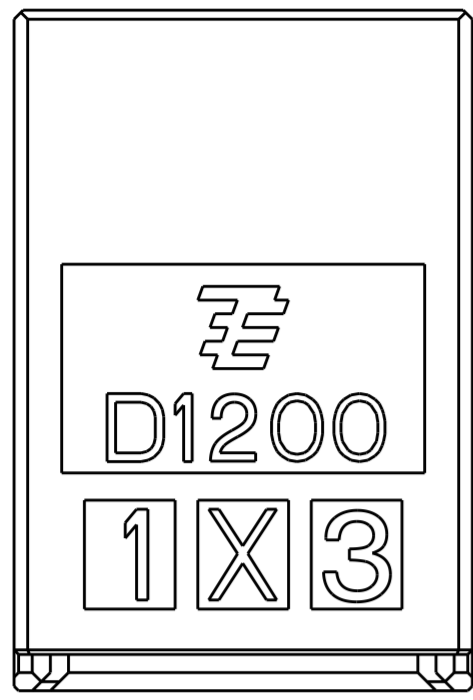
RECOMMEND PC BOARD HOLE PATTERN
 : CONNECTOR MOUNT SIDE (NOT ACCUMULATE TOLERANCE)
 PC BOARD THICKNESS : $1.0 \sim 1.6 \pm 0.1$

ONLY 4POS

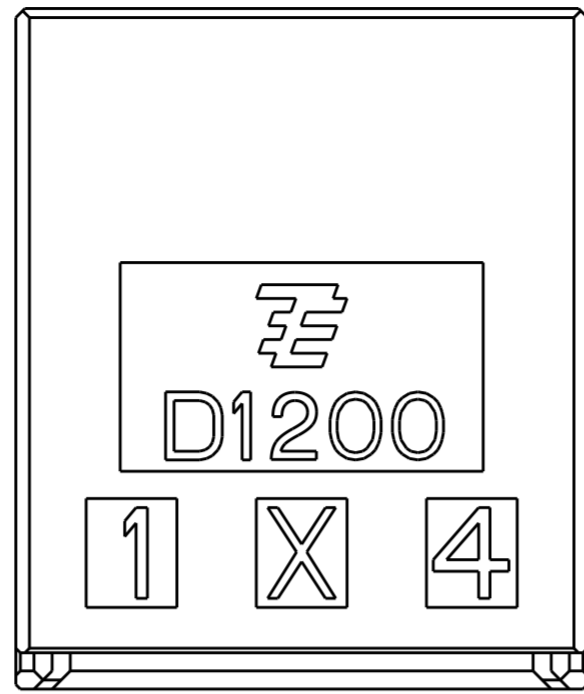


THIS DRAWING IS A CONTROLLED DOCUMENT		DWN	I. KUDO	13 JAN 2005	 TE Connectivity	NAME		DYNAMIC D1200D 2.5mm PITCH HDR ASSY (H-TYPE) 4-20POS		
DIMENSIONS:		CHK	D. MITSUGI	14 MAR 2005		SIZE		CAGE CODE	DRAWING NO	RESTRICTED TO
mm		APVD	D. MITSUGI	14 MAR 2005		108-78268		A200779	C-1827876	-
TOLERANCES UNLESS OTHERWISE SPECIFIED:		PRODUCT SPEC				114-5377		SCALE		6:1
0 PLC	±	APPLICATION SPEC			WEIGHT		SHEET		2	
2 PLC	±				CUSTOMER DRAWING		OF		3	
3 PLC	±						REV		C2	
4 PLC	±									
ANGLES	±									
FINISH	±									

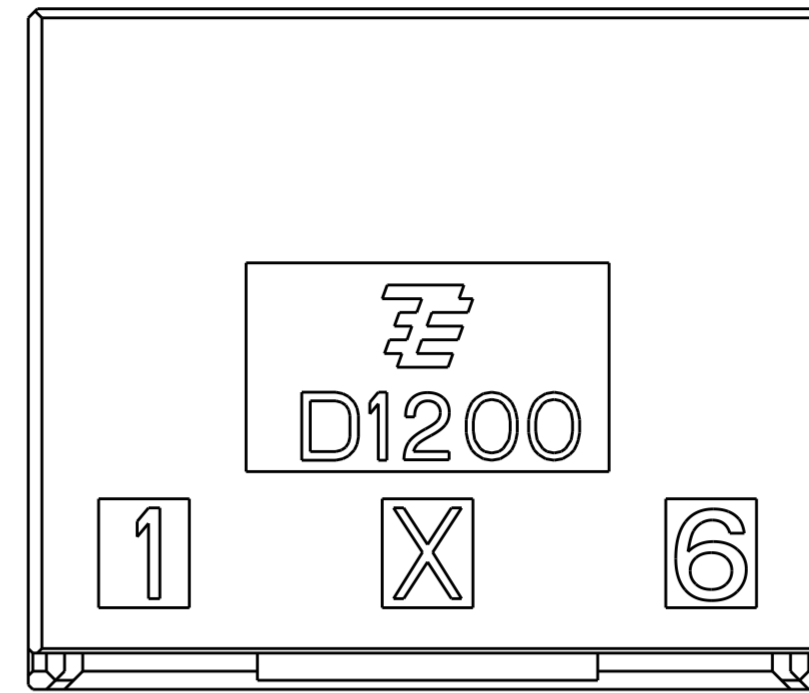
LOC		DIST		REVISIONS			
P	LTR	DATE	DWN	APVD	DESCRIPTION		
J	-	-	-	-	SEE SHEET 1		



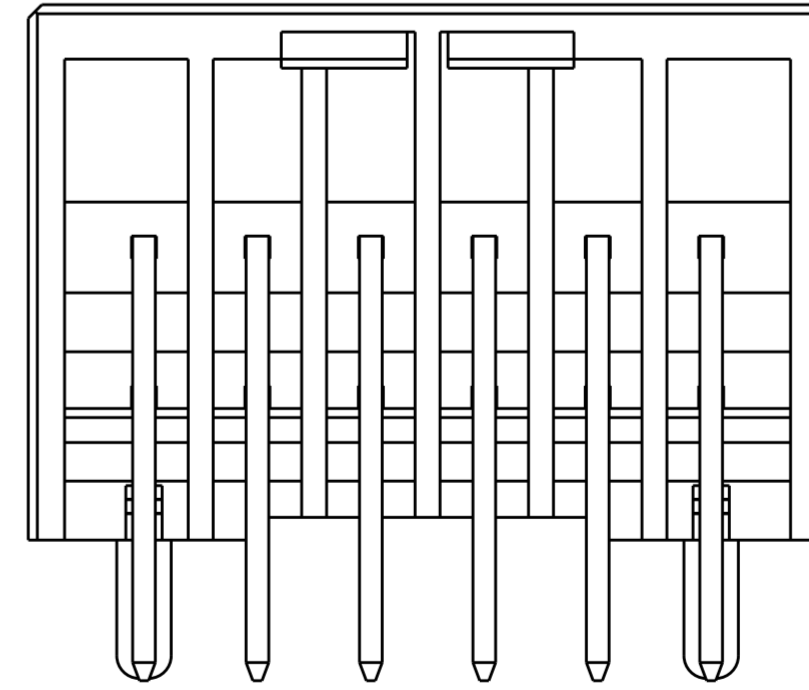
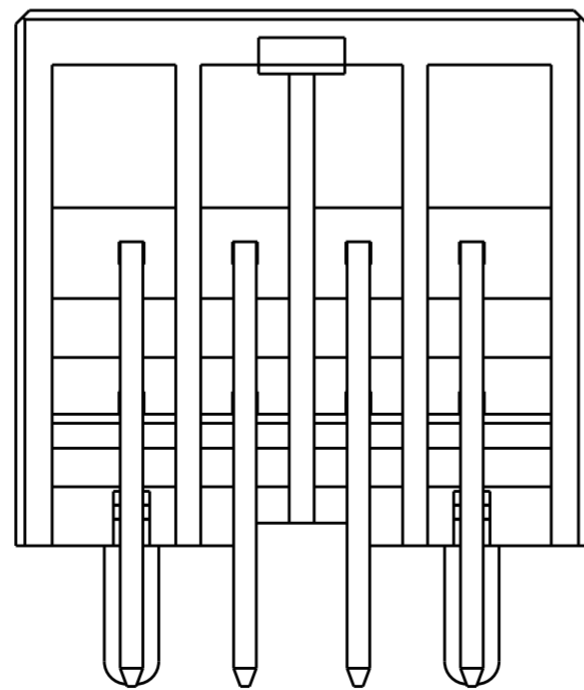
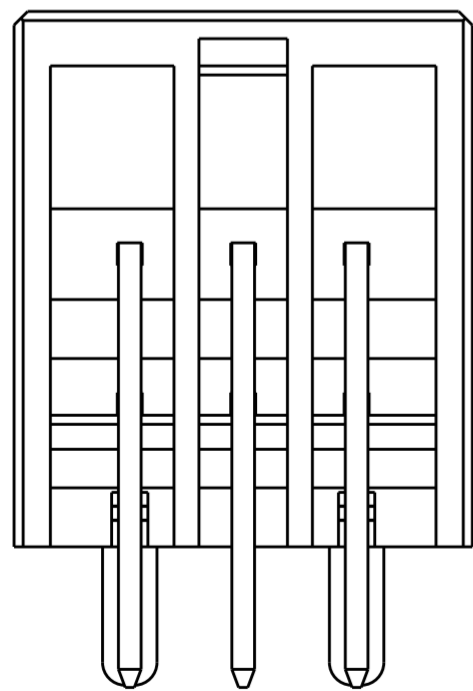
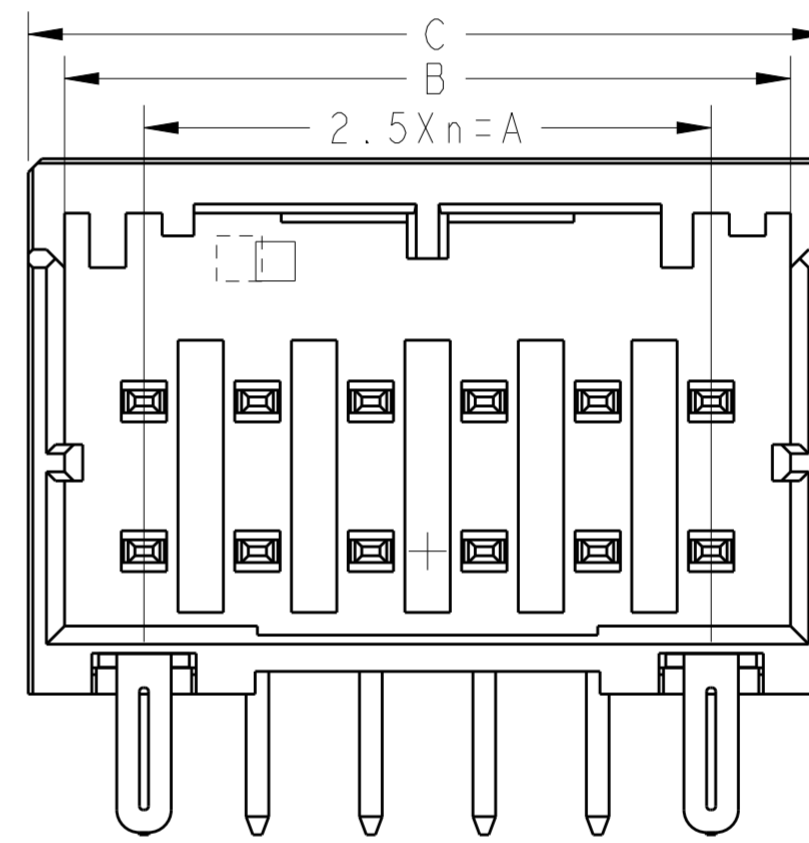
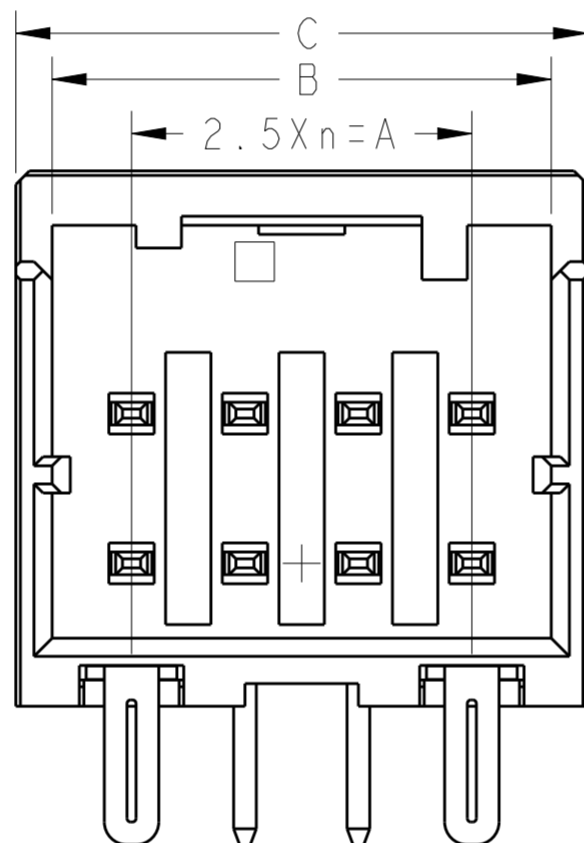
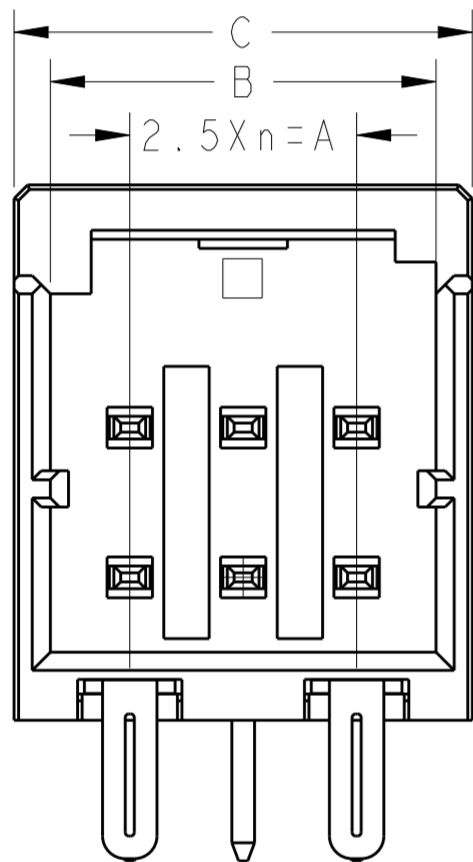
1-1827876-3
(6POS:X-KEY)



1-1827876-4
(8POS:X-KEY)



1-1827876-6
(12POS:X-KEY)



THIS DRAWING IS A CONTROLLED DOCUMENT		DWN	16MAR2005		TE Connectivity	
DIMENSIONS:		CHK	14MAR2005			
mm		APVD	14MAR2005			
TOLERANCES UNLESS OTHERWISE SPECIFIED:		PRODUCT SPEC	108-78268			
1.0	PLC	114-5377		NAME	DYNAMIC D1200D 2.5mmPITCH HDR ASSY (H-TYPE) 4-20POS	
2.0	PLC	-		SIZE	A200779	
3.0	PLC	-		CAGE CODE	C-1827876	
4.0	PLC	-		DRAWING NO	1827876	
ANGLES	±	-		RESTRICTED TO	-	
FINISH	±	-		SCALE	6:1	
MATERIAL	-	CUSTOMER DRAWING		SHEET	3 OF 3	
					REV	C2

单击下面可查看定价，库存，交付和生命周期等信息

[>>TE Connectivity\(泰科\)](#)