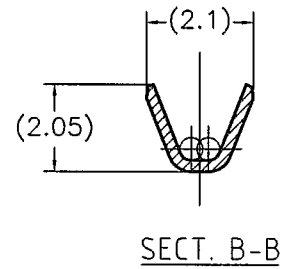
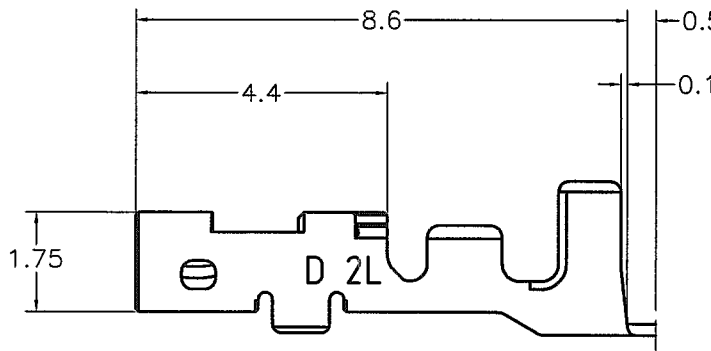
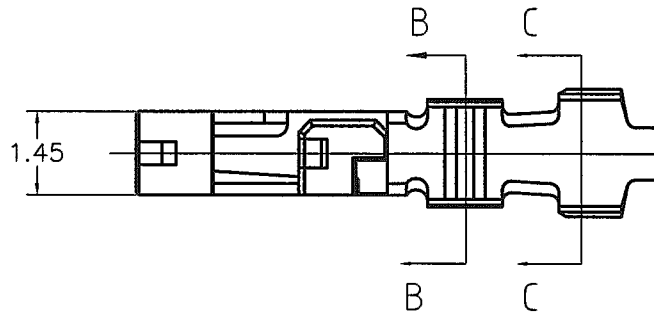
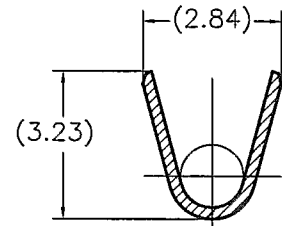
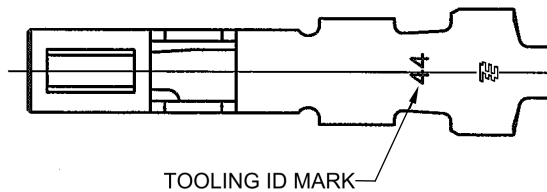


LOC J	DIST —	REVISIONS 変更			DATE	DWN	APVD
		P	LTR	DESCRIPTION			
		C		REVISED PER ECR-15-011723	08AUG15	Y.O	E.T



SECT. B-B



SECT. C-C

NOTE

1. GENERAL TOLERANCE : $\pm 0.3, \pm 3^\circ$
2. Application REC-HSG is applied to the product of 2.5mm PITCH or more of DYNAMIC D1000SERIES. 2.0mmPITCH cannot be used

THIS DRAWING IS UNPUBLISHED.

ALL RIGHTS RESERVED.

BY TYCO ELECTRONICS CORPORATION.

© COPYRIGHT

1871745-1
PART No.

DIMENSIONS: 单位: 毫米 mm	DWN T.KUDO 1JUL2005	MATERIAL 材料 PRE-TIN COPPER ALLOY	FINISH 仕上			
	CHK D.MITSUGI 1JUL2005					
	APVD D.MITSUGI 1JUL2005					
	TOLERANCES UNLESS OTHERWISE SPECIFIED: 一般公差	PRODUCT SPEC 製品規格 108-78298	NAME 名称 DYNAMIC D1000 SERIES REC CONTACT (2L TYPE) TIN PLATE (L/P)			
0 PLC ± 1 PLC ± 2 PLC ± 3 PLC ± 4 PLC ± ANGLES ±	APPLICATION SPEC 取付適用規格 114-5377	SIZE A4	CAGE CODE 00779	DRAWING NO 番号 C-1871745	RESTRICTED TO —	
	WEIGHT —	CUSTOMER DRAWING		SCALE 尺度 8:1	SHEET 1 OF 1	REV C

单击下面可查看定价，库存，交付和生命周期等信息

[>>TE Connectivity\(泰科\)](#)