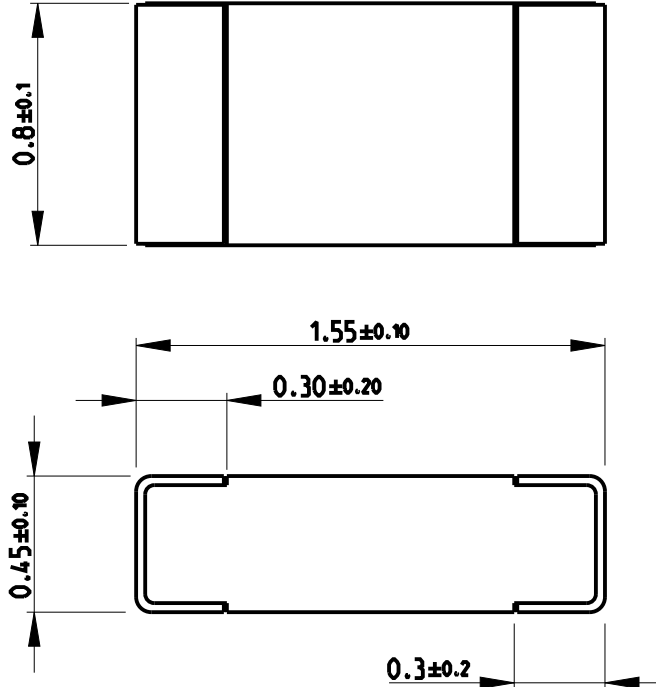
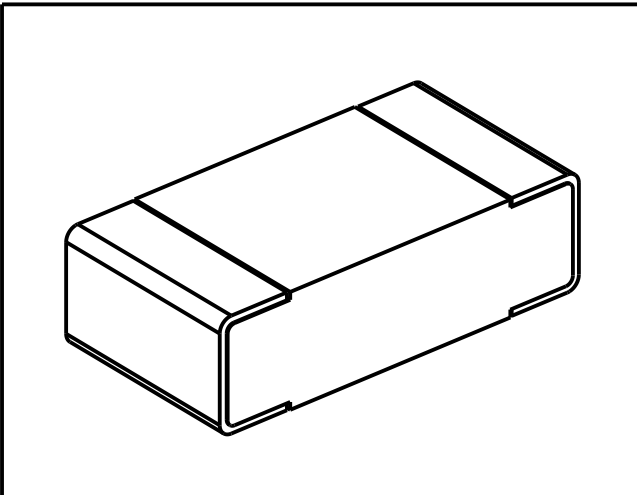


LOC	DIST	REVISIONS					
		P	LTR	DESCRIPTION	DATE	DWN	APVD
E	B						
			BA2	ECR-14-009193	19 JUN 2014	KR	TN


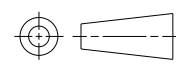
FOR FURTHER INFORMATION SEE DATA SHEET FOR CPF SERIES-THIN FILM PRECISION CHIP RESISTORS



RoHS Compliant



2009
 RELEASED FOR PUBLICATION
 ALL RIGHTS RESERVED.
 COPYRIGHT 2008

DIMENSIONS: mm		DWN SUBHASH.M 29-Sep-08	MATERIAL -	FINISH -			
TOLERANCES UNLESS OTHERWISE SPECIFIED:		CHK PRAKASH.S 29-Sep-08	 TE Connectivity				
0 PLC ± 0.2 1 PLC ± 0.1 2 PLC $\pm -$ 3 PLC $\pm -$ 4 PLC $\pm -$ ANGLES $\pm 5^\circ$		APVD STEPHEN.P 29-Sep-08					
		PRODUCT SPEC -	NAME THIN FILM PRECISION CHIP RESISTORS SERIES CPF 0603				
		APPLICATION SPEC -	SIZE A4	CAGE CODE 00779	DRAWING NO C-1879338	RESTRICTED TO -	
		WEIGHT -	Customer Drawing		SCALE 40:1	SHEET 1 OF 1	REV BA2

单击下面可查看定价，库存，交付和生命周期等信息

[>>TE Connectivity\(泰科\)](#)