

4

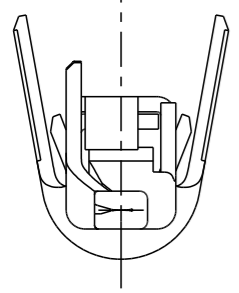
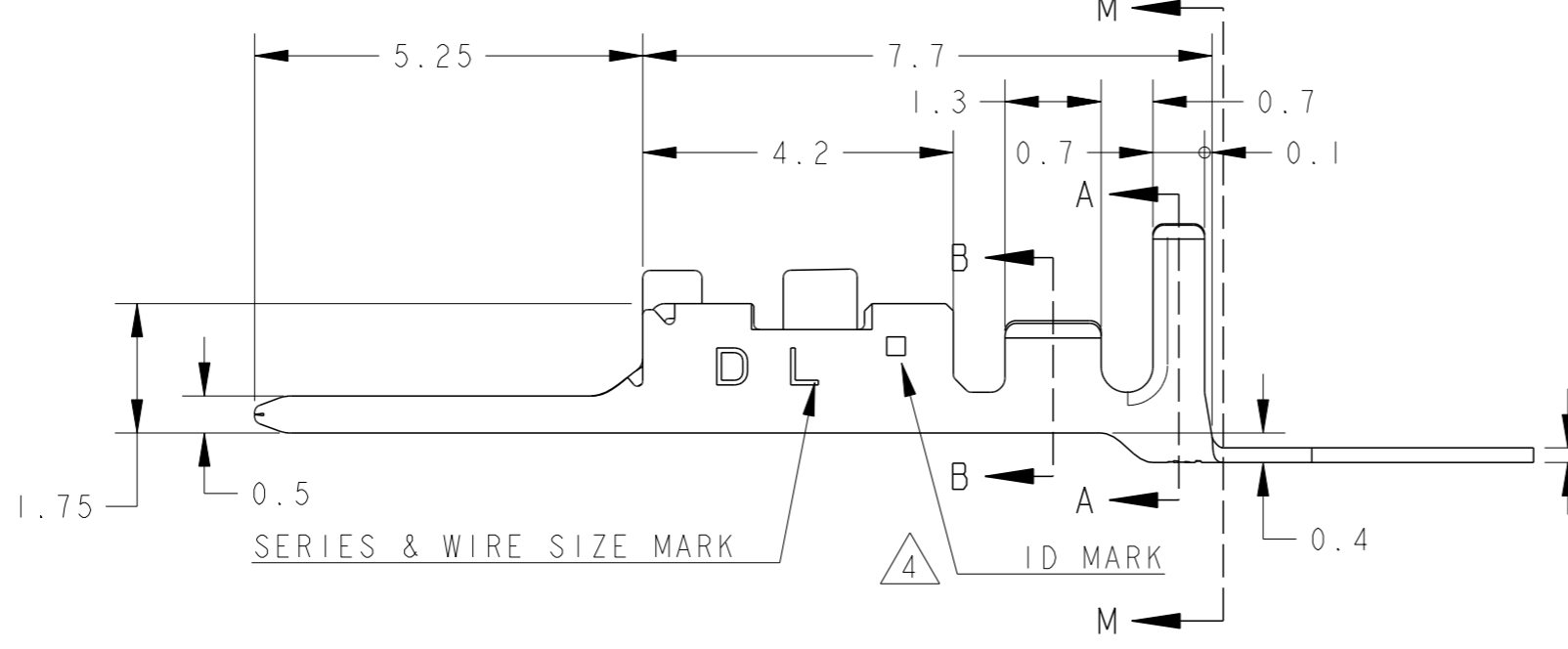
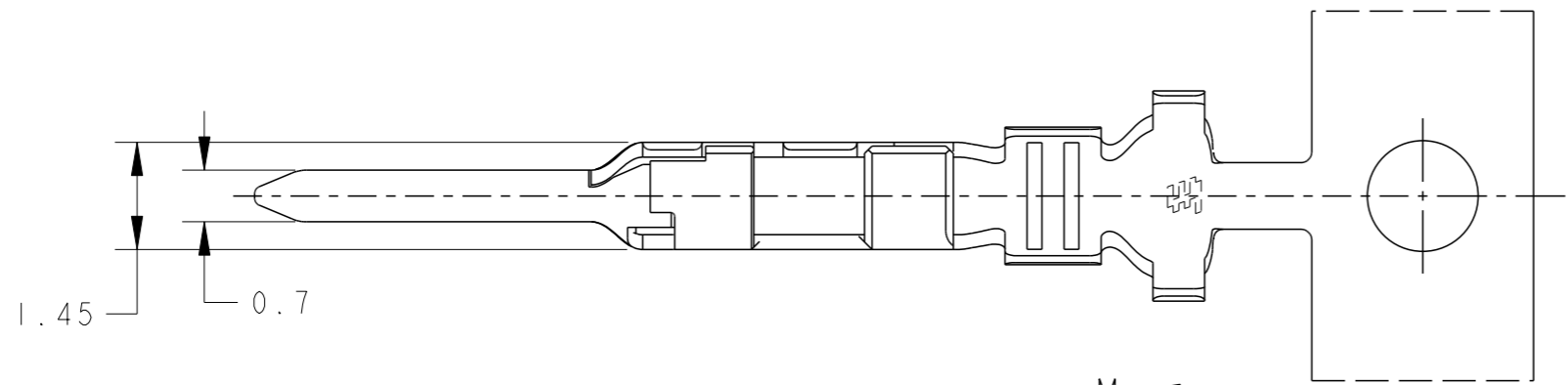
3

2

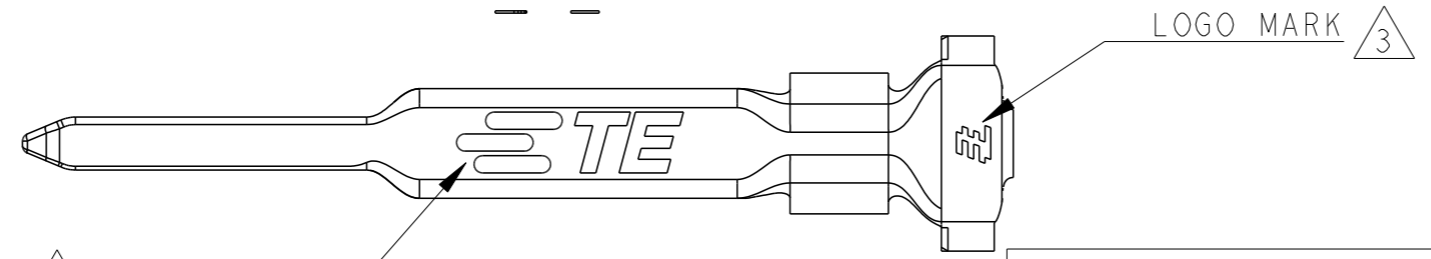
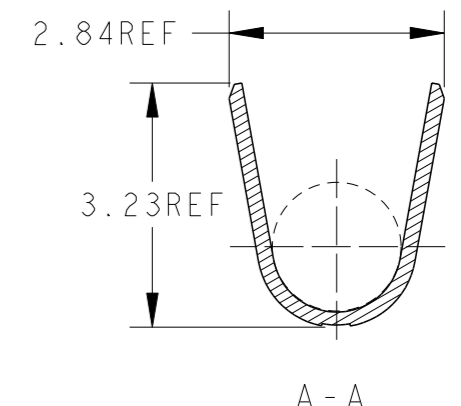
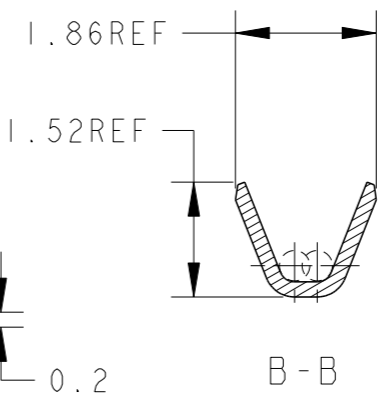
1

© 2019 TE Connectivity. All Rights Reserved.

REVISIONS					
P	LTR	DESCRIPTION	DATE	DWN	APVD
	C	REVISED PER ECR-19-016494	24OCT2019	F.Z	R.B



1.75 0.5 SERIES & WIRE SIZE MARK ID MARK



AS SHOWN: 1903113-2	
△ COPPER ALLOY: FINISH; CONTACT AREA Au 0.38umMIN, OVER Ni 1.27umMIN	1903113-2
MATERIAL	PART NO

- APPLICATION TAB-HSG IS APPLIED TO THE PRODUCT OF 2.5mm PITCH OR MORE OF DYNAMIC D1000 SERIES. 2.0mm PITCH CANNOT BE USED.
- THE SHAPE, SIZE AND POSITION OF THE CHARACTER SHOW THE OUTLINE. THEY DON'T SHOW DETAILS.
- △ ALTERNATIVE LOGO MARK FOR DIFFERENT DIE.
- △ ALTERNATIVE ID MARK, WITH "■" OR NO MARK.

THIS DRAWING IS A CONTROLLED DOCUMENT.

DIMENSIONS: mm	TOLERANCES UNLESS OTHERWISE SPECIFIED: ±0.3, ±3°
	0-PLC ±
	1-PLC ±
	2-PLC ±
	3-PLC ±
	4-PLC ±
	ANGLES ±
MATERIAL △	FINISH △

DWN	M. MAEBASHI	11APR2006
CHK	T. KUDO	11APR2006
APVD	D. MITSUGI	11APR2006
PRODUCT SPEC	108-78268	
APPLICATION SPEC	114-5377	
WEIGHT	0.128 g	
CUSTOMER DRAWING		

WIRE RANGE	AWG#28-#22	INSULATION DIA	
mm ²	0.08~0.38	Ø	1.08~Ø1.9
STE TE Connectivity			
NAME DYNAMIC D1000 SERIES TAB CONTACT Au L-TYPE REEL			
SIZE	CAGE CODE	DRAWING NO	RESTRICTED TO
A3	00779	C=1903113	
SCALE 10:1		SHEET 1 OF 1	REV C

单击下面可查看定价，库存，交付和生命周期等信息

[>>TE Connectivity\(泰科\)](#)