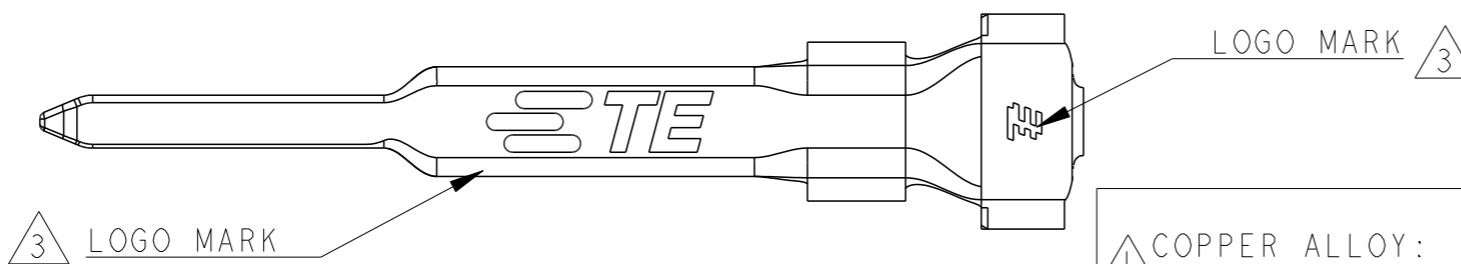
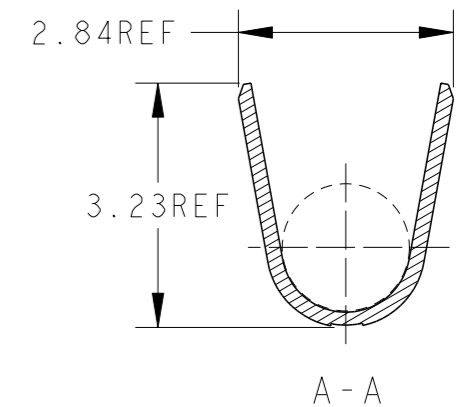
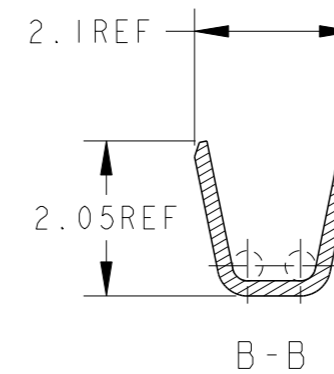
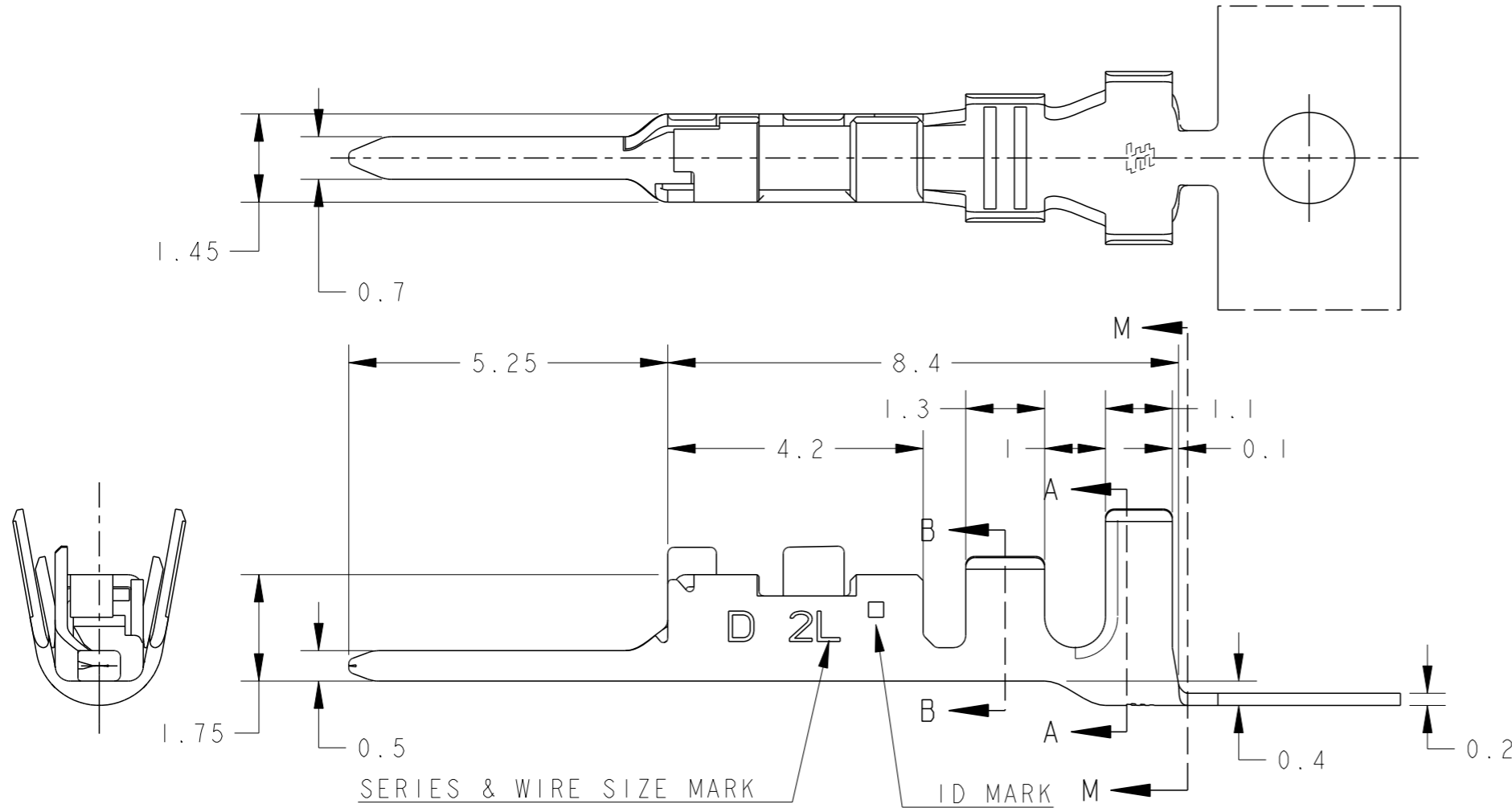


P	LTR	DESCRIPTION	DATE	DWN	APVD
	C	REVISED PER ECR-19-016494	24OCT2019	F.Z	R.B



SECTION M-M

AS SHOWN: 1903114-2

△ COPPER ALLOY: FINISH; CONTACT AREA Au 0.38umMIN, OVER Ni 1.27umMIN	1903114-2
MATERIAL	PART NO

1. APPLICATION TAB-HSG IS APPLIED TO THE PRODUCT OF 2.5mm PITCH OR MORE OF DYNAMIC D1000 SERIES. 2.0mm PITCH CANNOT BE USED.

2. THE SHAPE, SIZE AND POSITION OF THE CHARACTER SHOW THE OUTLINE. THEY DON'T SHOW DETAILS.

△3 ALTERNATIVE LOGO MARK FOR DIFFERENT DIE.

△4 ALTERNATIVE ID MARK, WITH "□" OR NO MARK.

THIS DRAWING IS A CONTROLLED DOCUMENT.		DWN	M. MAEBASHI	11APR2006
DIMENSIONS: mm		CHK	T. KUDO	11APR2006
TOLERANCES UNLESS OTHERWISE SPECIFIED: ±0.3, ±3°		APVD	D. MITSUGI	11APR2006
0 PLC ± 1 PLC ± 2 PLC ± 3 PLC ± 4 PLC ± ANGLES ±3°		PRODUCT SPEC	108-78268	
MATERIAL △1		FINISH △1	APPLICATION SPEC	114-5377
		WEIGHT	0.137 g	

WIRE RANGE	AWG#22-#18	INSULATION DIA	mm ² 0.34~0.86		∅1.4~∅2.2
TE Connectivity					
NAME					
DYNAMIC D1000 SERIES					
TAB CONTACT Au, 2L-TYPE REEL					
SIZE	CAGE CODE	DRAWING NO	RESTRICTED TO		
A3	00779	C=1903114			
CUSTOMER DRAWING			SCALE	SHEET	REV
			10:1	1	C

单击下面可查看定价，库存，交付和生命周期等信息

[>>TE Connectivity\(泰科\)](#)