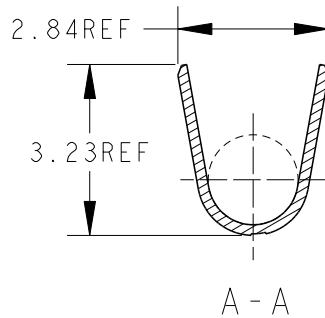
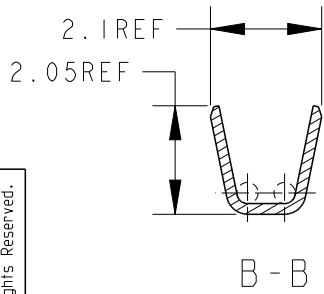
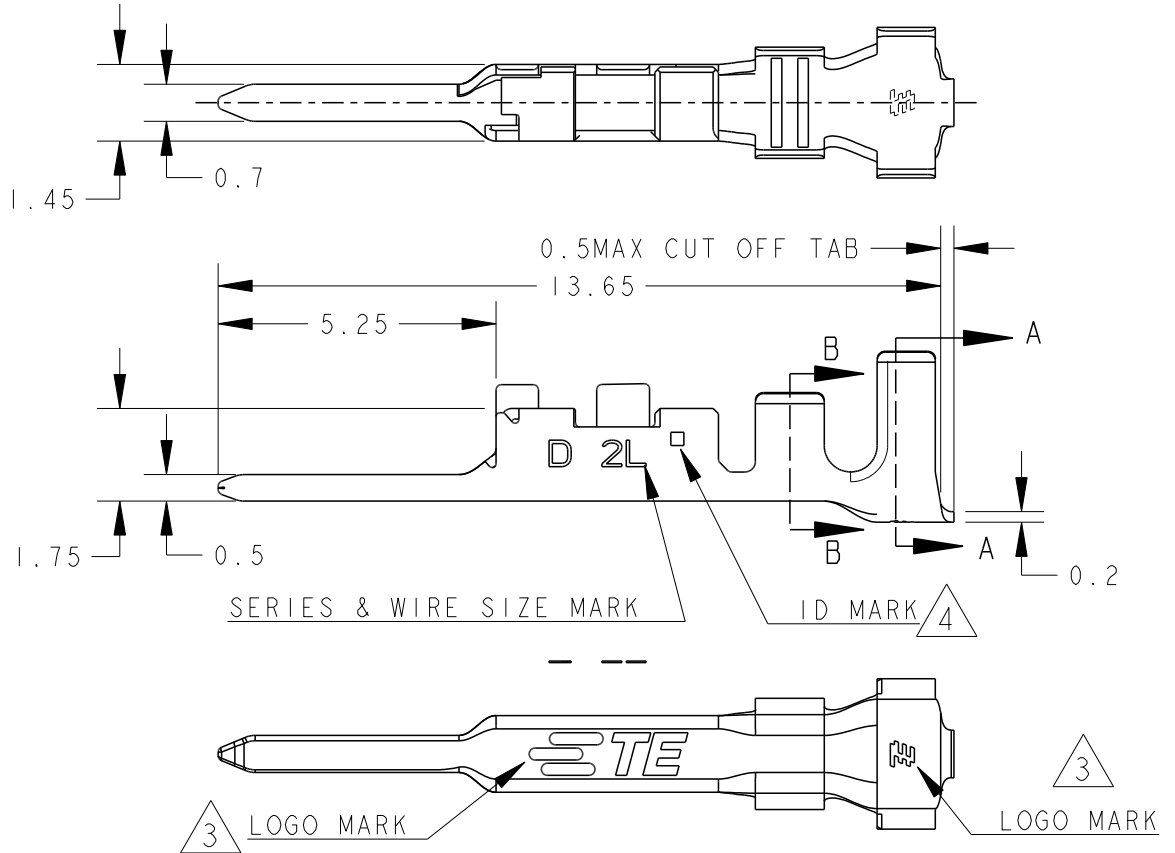


REVISIONS					
P	LTR	DESCRIPTION	DATE	DWN	APVD
	C	RIVISED PER ECR-19-016494	24OCT2019	F.Z	R.B



1. APPLICATION TAB-HSG IS APPLIED TO THE PRODUCT OF 2.5mm PITCH OR MORE OF DYNAMIC D1000 SERIES. 2.0mm PITCH CANNOT BE USED.
 2. THE SHAPE, SIZE AND POSITION OF THE CHARACTER SHOW THE OUTLINE. THEY DON'T SHOW DETAILS.
- 3 ALTERNATIVE LOGO MARK FOR DIFFERENT DIE.
4 ALTERNATIVE ID MARK, WITH "□" OR NO MARK.

AS SHOWN: 1903118-2

1 COPPER ALLOY: FINISH; CONTACT AREA Au 0.38umMIN, OVER Ni 1.27umMIN	1903118-2
MATERIAL	PART NO

© 2019 TE Connectivity. All Rights Reserved.

DIMENSIONS: mm TOLERANCES UNLESS OTHERWISE SPECIFIED: $\pm 0.3, \pm 3^\circ$ 0-PLC \pm 1-PLC \pm 2-PLC \pm 3-PLC \pm 4-PLC \pm ANGLES \pm	DWN M.MAEBASHI 11APR2006 CHK T.KUDO 11APR2006 APVD D.MITSUGI 11APR2006 PRODUCT SPEC 108-78268 APPLICATION SPEC 114-5377 WEIGHT 0.086 g	WIRE RANGE AWG#22-#18 mm^2 0.34~0.86 INSULATION DIA $\phi 1.4 \sim \phi 2.2$ MATERIAL 1 FINISH 1	TE Connectivity DYNAMIC D1000 SERIES TAB CONTACT Au, 2L-TYPE L/P SIZE A4 CAGE CODE 00779 DRAWING NO C-1903118 RESTRICTED TO
	CUSTOMER DRAWING	SCALE 7:1 SHEET 1 OF 1 REV C	

单击下面可查看定价，库存，交付和生命周期等信息

[>>TE Connectivity\(泰科\)](#)