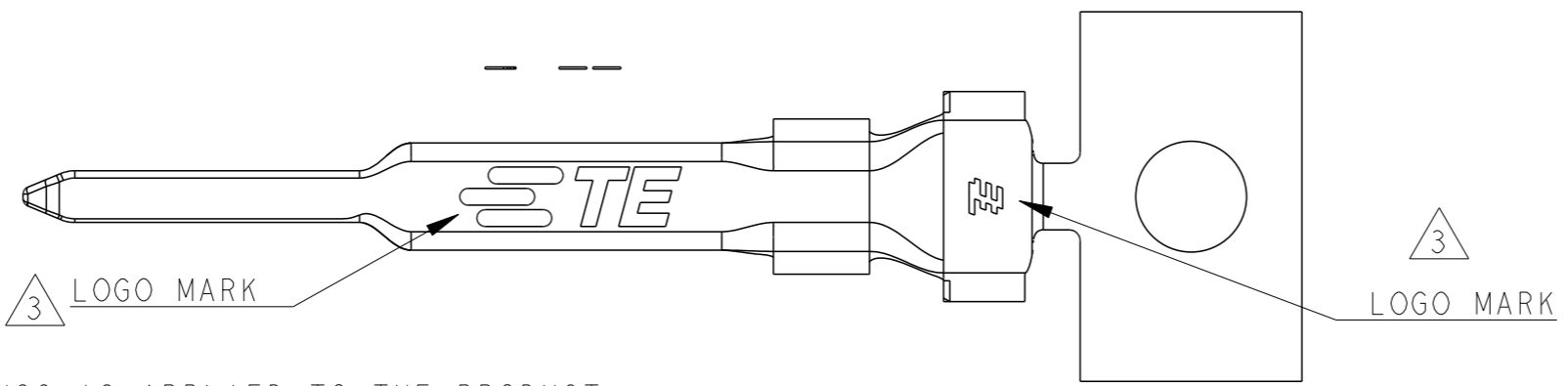
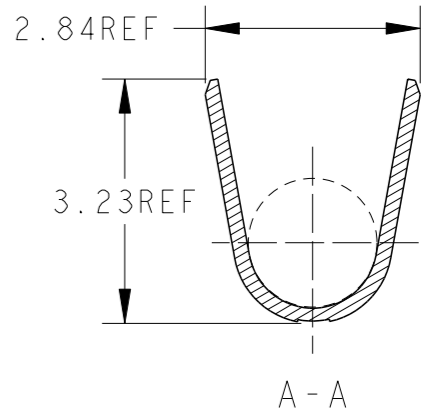
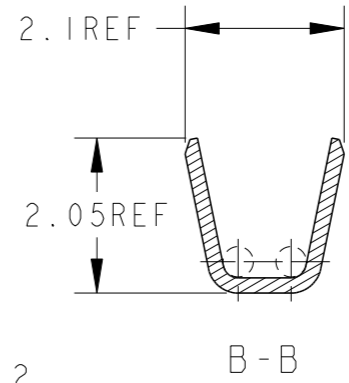
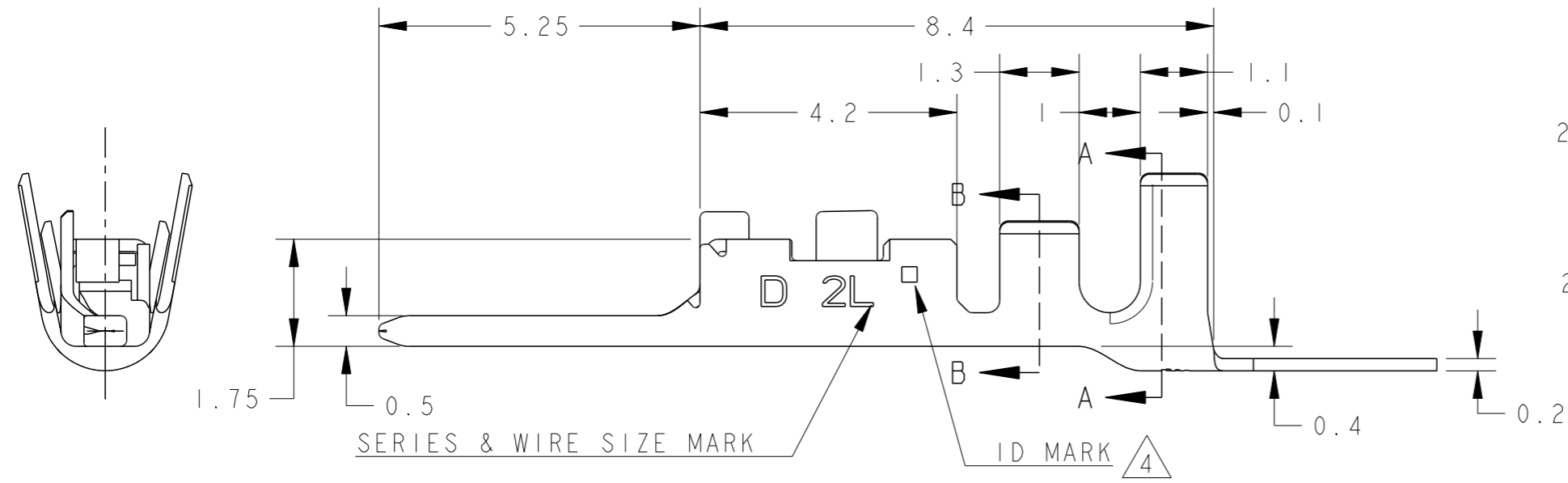
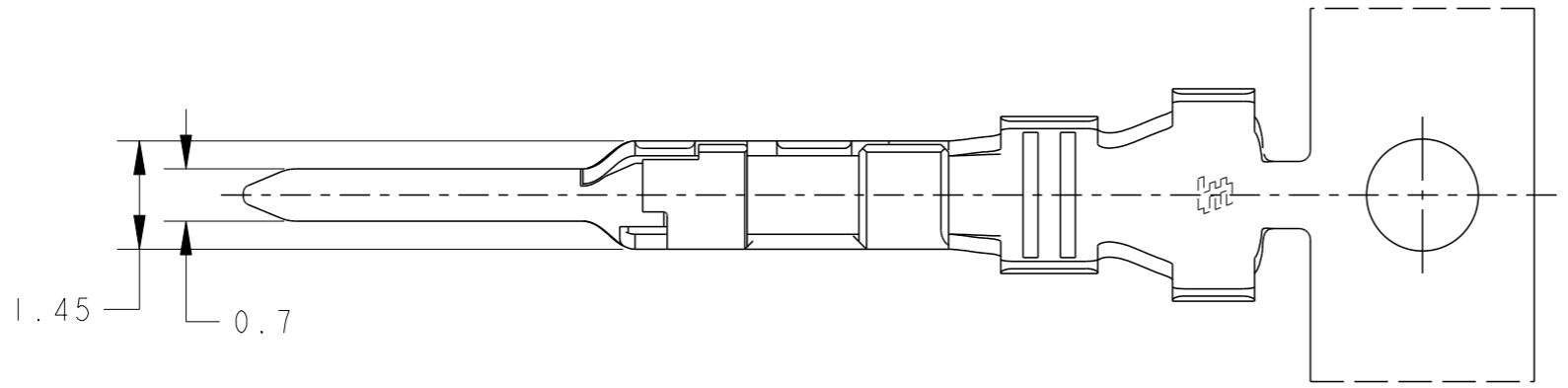


© 2019 TE Connectivity. All Rights Reserved.

REVISIONS					
P	LTR	DESCRIPTION	DATE	DWN	APVD
	C	REVISED PER ECR-19-016494	24OCT2019	F.Z	R.B



AS SHOWN: 1903122-1

PRE-TIN COPPER ALLOY	1903122-1
MATERIAL	PART NO

WIRE RANGE	AWG#22-#18	INSULATION DIA
mm <sup>2</sup> 0.34~0.86		Ø 1.4~Ø 2.2

- APPLICATION TAB-HSG IS APPLIED TO THE PRODUCT OF 2.5mm PITCH OR MORE OF DYNAMIC D1000 SERIES. 2.0mm PITCH CANNOT BE USED.
- THE SHAPE, SIZE AND POSITION OF THE CHARACTER SHOW THE OUTLINE. THEY DON'T SHOW DETAILS.
- ALTERNATIVE LOGO MARK FOR DIFFERENT DIE.
- ALTERNATIVE ID MARK, WITH "□" OR NO MARK.

THIS DRAWING IS A CONTROLLED DOCUMENT.	
DIMENSIONS:	TOLERANCES UNLESS OTHERWISE SPECIFIED:
mm	± 0.3, ± 3°
	0 PLC ±
	1 PLC ±
	2 PLC ±
	3 PLC ±
	4 PLC ±
	ANGLES ±
MATERIAL	FINISH

DWN	M. MAEBASHI	26APR2006
CHK	T. KUDO	26APR2006
APVD	D. MITSUGI	26APR2006
PRODUCT SPEC	108-78298	
APPLICATION SPEC	114-5377	
WEIGHT	0.137 g	
CUSTOMER DRAWING		

TE Connectivity		NAME	
		DYNAMIC D1000 SERIES TAB CONTACT TIN-PLATE 2L-TYPE REEL	
SIZE	CAGE CODE	DRAWING NO	RESTRICTED TO
A3	00779	C=1903122	
SCALE 10:1		SHEET 1 OF 1	REV C

单击下面可查看定价，库存，交付和生命周期等信息

[>>TE Connectivity\(泰科\)](#)