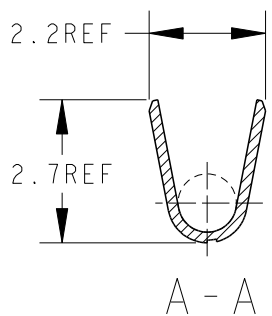
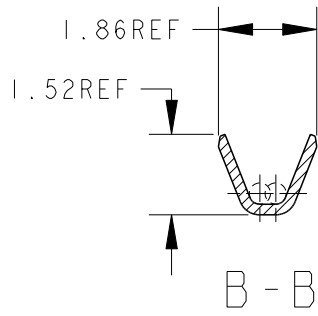
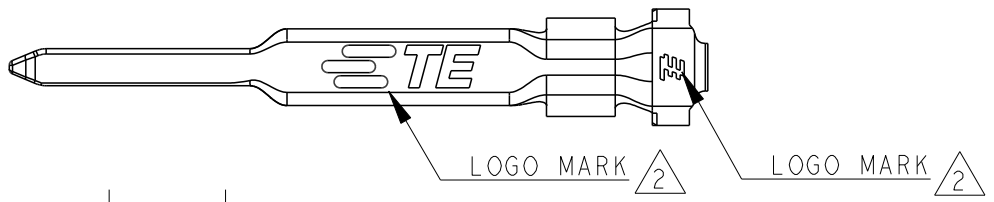
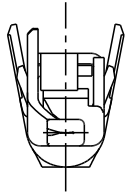
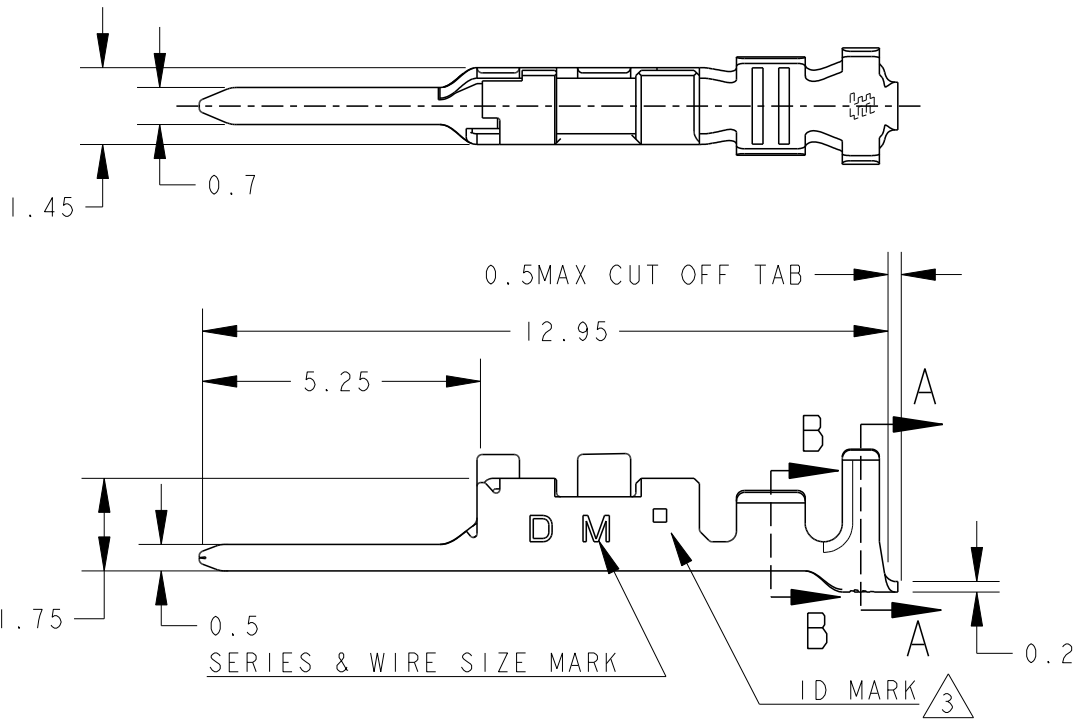


REVISIONS					
P	LTR	DESCRIPTION	DATE	DWN	APVD
	C	REVISED PER ECR-19-016494	24OCT2019	F.Z	R.B



- 1. THE SHAPE, SIZE AND POSITION OF THE CHARACTER SHOW THE OUTLINE. THEY DON'T SHOW DETAILS.
- 2 ALTERNATIVE LOGO MARK FOR DIFFERENT DIE.
- 3 ALTERNATIVE ID MARK, WITH "■" OR NO MARK.

AS SHOWN: 1903124-1

PRE-TIN COPPER ALLOY	1903124-1
MATERIAL	PART NO

WIRE RANGE	AWG#28-#22	INSULATION DIA
mm ²	0.08~0.38	∅1.08~∅1.6
MATERIAL		FINISH

© 2019 TE Connectivity. All Rights Reserved.

DIMENSIONS:	
mm	
TOLERANCES UNLESS OTHERWISE SPECIFIED:	
±0.3, ±3°	
0 PLC	±
1 PLC	±
2 PLC	±
3 PLC	±
4 PLC	±
ANGLES	±

DWN	M. MAEBASHI	26APR2006
CHK	T. KUDO	26APR2006
APVD	D. MITSUGI	26APR2006
PRODUCT SPEC	108-78298	
APPLICATION SPEC	114-5377	
WEIGHT	0.075 g	
CUSTOMER DRAWING		

TE Connectivity

NAME DYNAMIC D1000 SERIES
TAB CONTACT TIN-PLATE, M-TYPE L/P

SIZE	CAGE CODE	DRAWING NO	RESTRICTED TO
A4	00779	C-1903124	

SCALE 7:1 SHEET 1 OF 1 REV C

单击下面可查看定价，库存，交付和生命周期等信息

[>>TE Connectivity\(泰科\)](#)