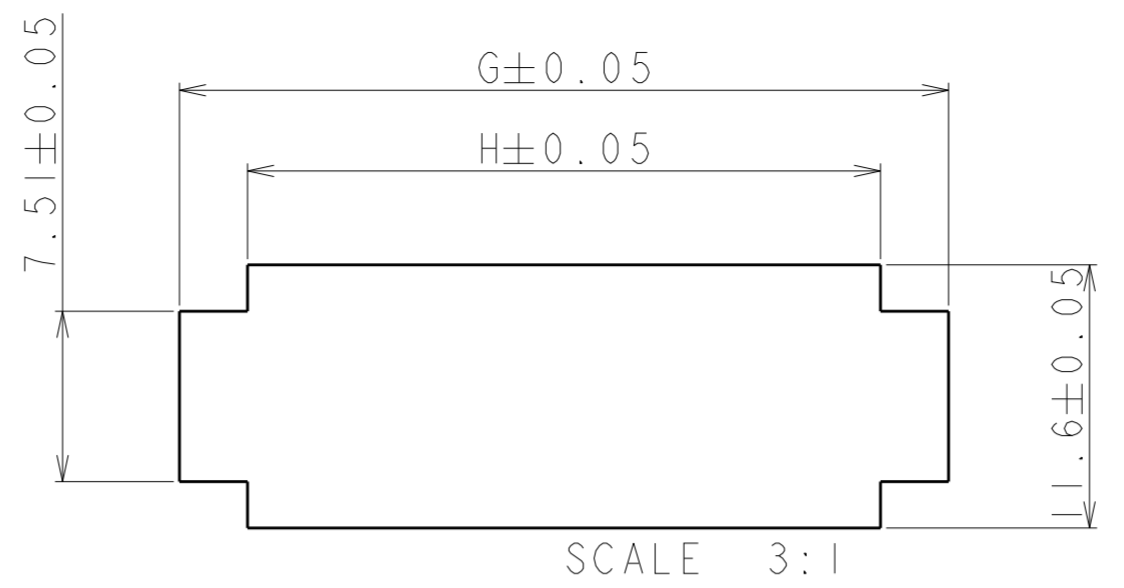
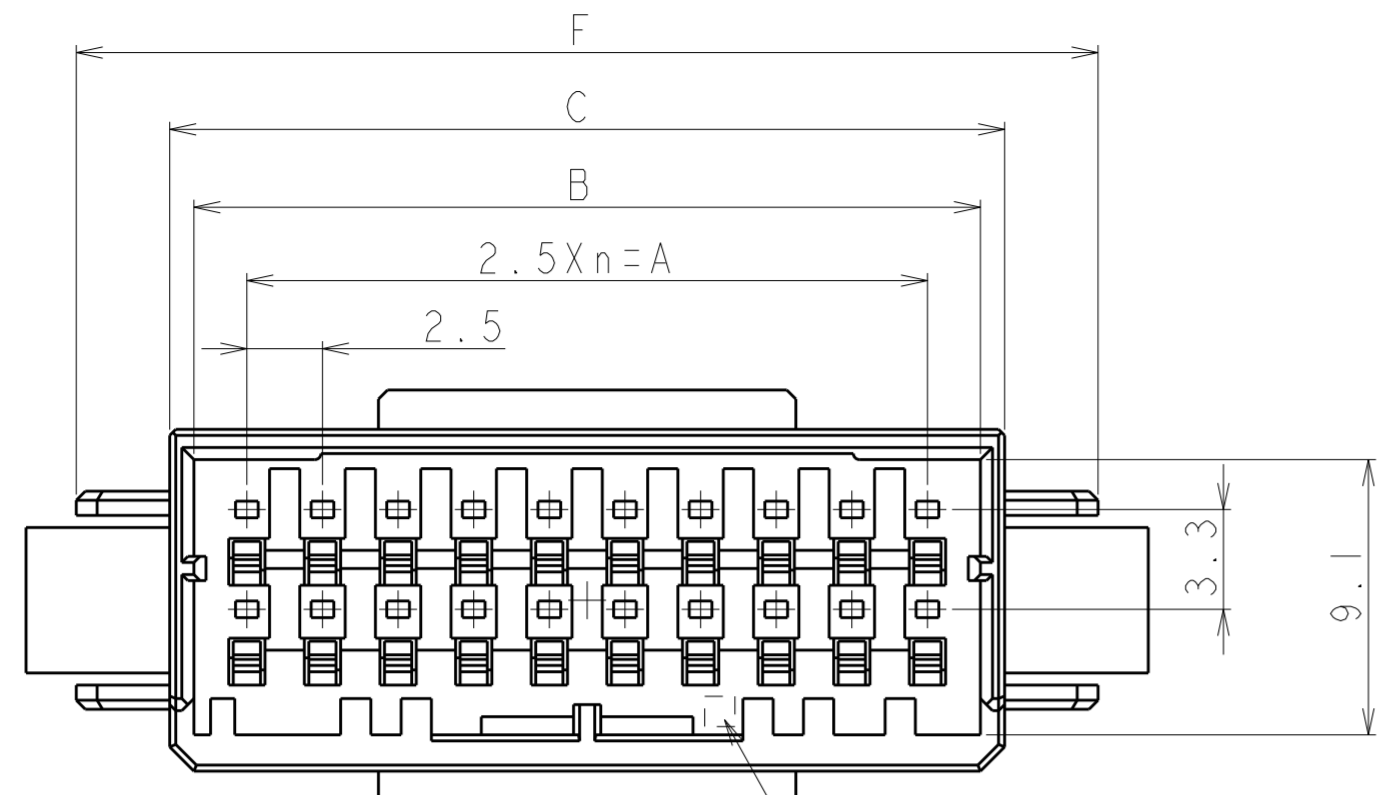


THIS DRAWING IS UNPUBLISHED. RELEASED FOR PUBLICATION 2014
 © COPYRIGHT 2014 BY TE CONNECTIVITY ALL RIGHTS RESERVED.

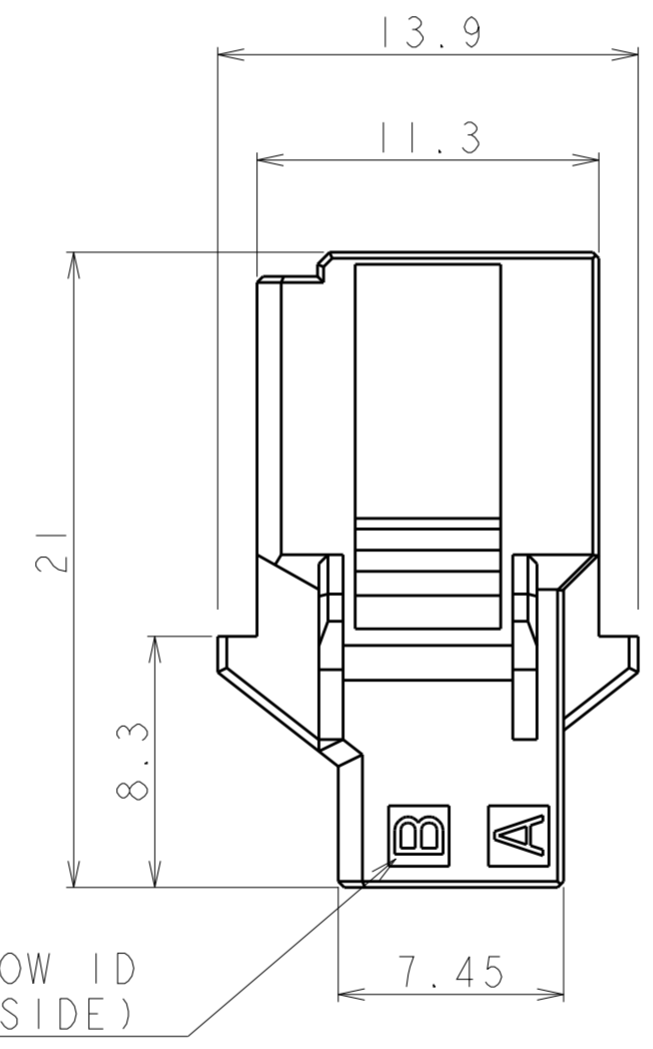
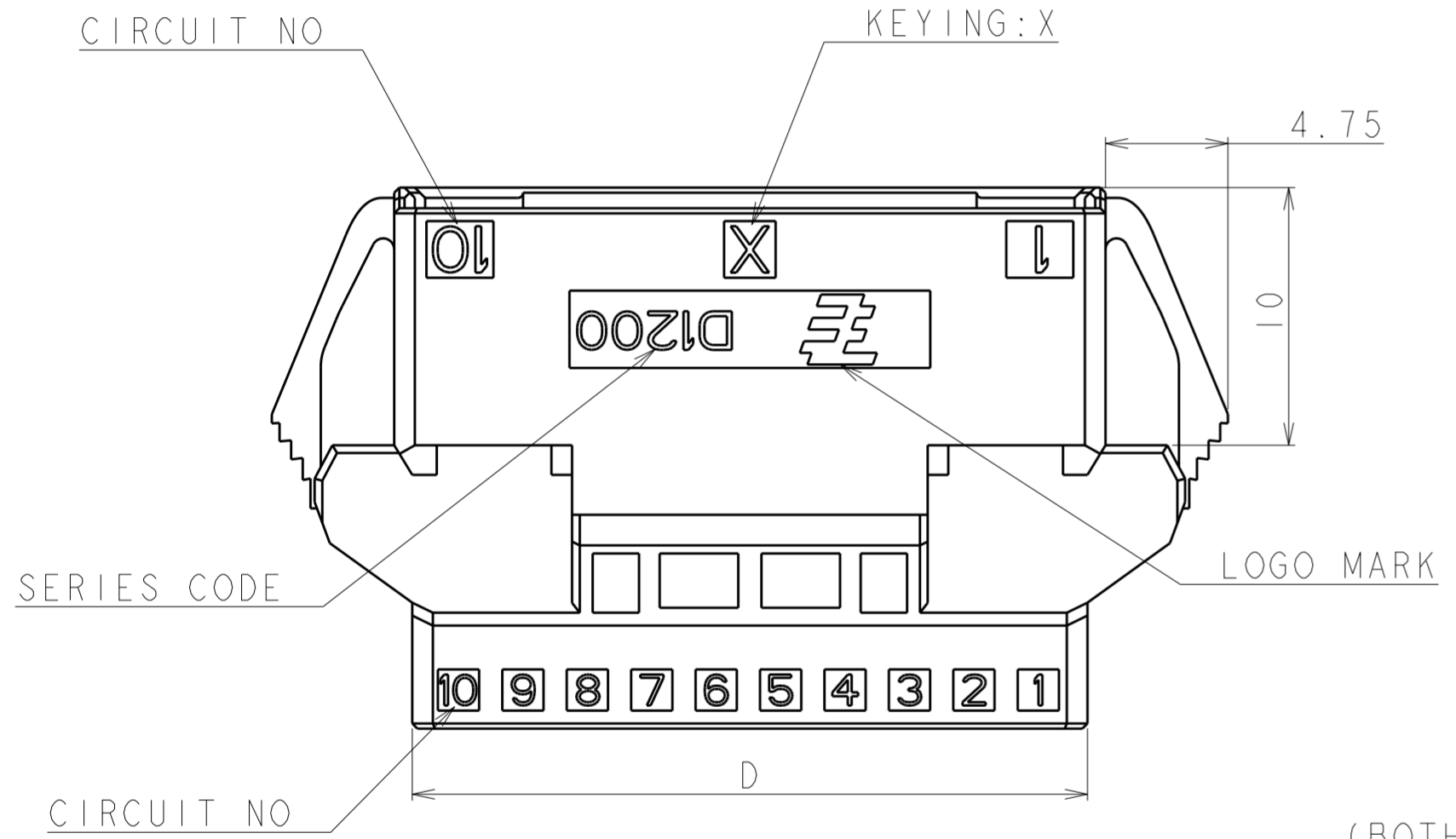
| REVISIONS | | | | | |
|-----------|-----|-----------------------|-----------|-----|------|
| P | LTR | DESCRIPTION | DATE | DWN | APVD |
| D | | REVISED | 04APR2014 | T.S | N.Y |
| DI | | REVISED ECR-17-012664 | 30AUG2017 | Y.O | N.Y |



RECOMMENDED PANEL LAYOUT
 (APPLICABLE PANEL THICKNESS : 0.8, 1.0, 1.6, 2.0)

パネル加工推奨寸法図
 (適用パネル厚 : 0.8, 1.0, 1.6, 2.0)

20POS(X-KEY):1-1903131-0
 CAVITY MARK (ALPHABET:CAPITAL LETTER)

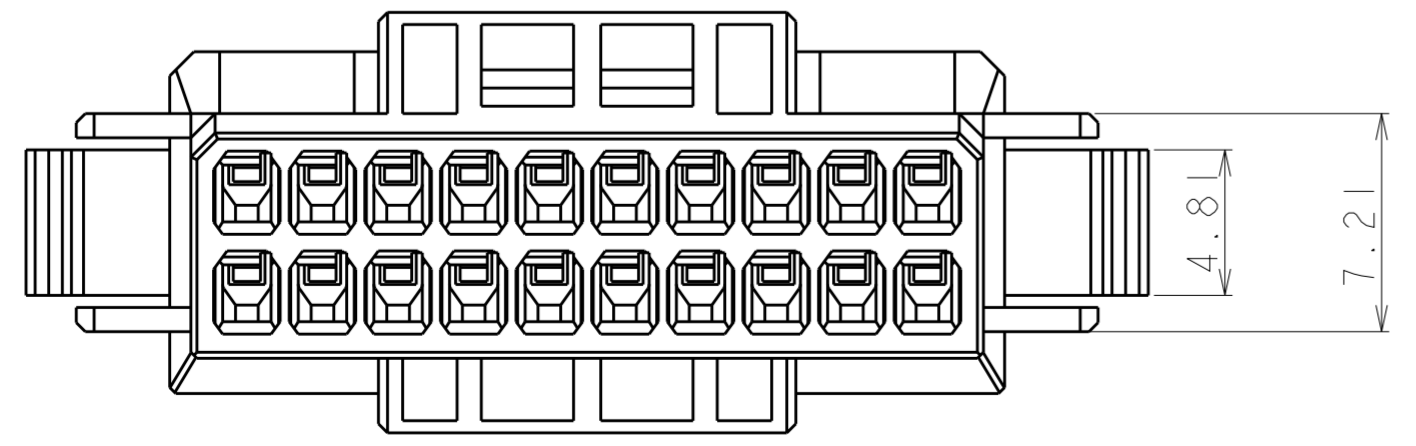


1. MATERIAL: GLASS FILED THERMO PLASTIC POLYESTER(94V-0), COLOR: BLACK
2. THE SHAPE, SIZE AND POSITION OF THE CHARACTER SHOW THE OUTLINE. THEY DON'T SHOW DETAILS.
3. THE KEYING ARRANGEMENT OF "Y" IS SYMMETRIC WITH "X".

1. 材料: ガラス入り熱可塑性ポリエステル樹脂(94V-0), 色: 黒
2. 文字の形状、大きさ、および位置については、大略を示すものであり、詳細を示すものではありません。
3. Y KEY形状は、X KEY形状と左右対称

AS SHOWN 20POS(X-KEY) : 1-1903131-0

| POS | KEY | n | A | B | C | D | E | F | G | H | PART NO |
|-----|-----|---|------|------|------|------|-------|-------|------|------|-------------|
| 20 | Y | 9 | 22.5 | 26.0 | 27.6 | 26.2 | 13.80 | 33.78 | 33.9 | 27.9 | 2-1903131-0 |
| 20 | X | 9 | 22.5 | 26.0 | 27.6 | 26.2 | 13.80 | 33.78 | 33.9 | 27.9 | 1-1903131-0 |
| 12 | Y | 5 | 12.5 | 16.0 | 17.6 | 16.2 | 8.80 | 23.78 | 23.9 | 17.9 | 2-1903131-6 |
| 12 | X | 5 | 12.5 | 16.0 | 17.6 | 16.2 | 8.80 | 23.78 | 23.9 | 17.9 | 1-1903131-6 |
| 8 | Y | 3 | 7.5 | 11.0 | 12.6 | 11.2 | 6.30 | 18.78 | 18.9 | 12.9 | 2-1903131-4 |
| 8 | X | 3 | 7.5 | 11.0 | 12.6 | 11.2 | 6.30 | 18.78 | 18.9 | 12.9 | 1-1903131-4 |
| 6 | Y | 2 | 5.0 | 8.5 | 10.1 | 8.7 | 5.05 | 16.28 | 16.4 | 10.4 | 2-1903131-3 |
| 6 | X | 2 | 5.0 | 8.5 | 10.1 | 8.7 | 5.05 | 16.28 | 16.4 | 10.4 | 1-1903131-3 |
| 4 | X | 1 | 2.5 | 6.0 | 7.6 | 6.2 | 3.80 | 13.78 | 13.9 | 7.9 | 1-1903131-2 |



THIS DRAWING IS A CONTROLLED DOCUMENT.

DIMENSIONS: mm

TOLERANCES UNLESS OTHERWISE SPECIFIED:
 0-PLC ±0.3, ±3°
 1-PLC ±0.5
 2-PLC ±0.13
 3-PLC ±0.013
 4-PLC ±0.001

MATERIAL: - FINISH: -

DWN: M. MAEBASHI 17APR2006
 CHK: T. KUDO 17APR2006
 APVD: D. MITSUGI 17APR2006

PRODUCT SPEC: 108-78268, 78298
 APPLICATION SPEC: 114-5377

WEIGHT: -

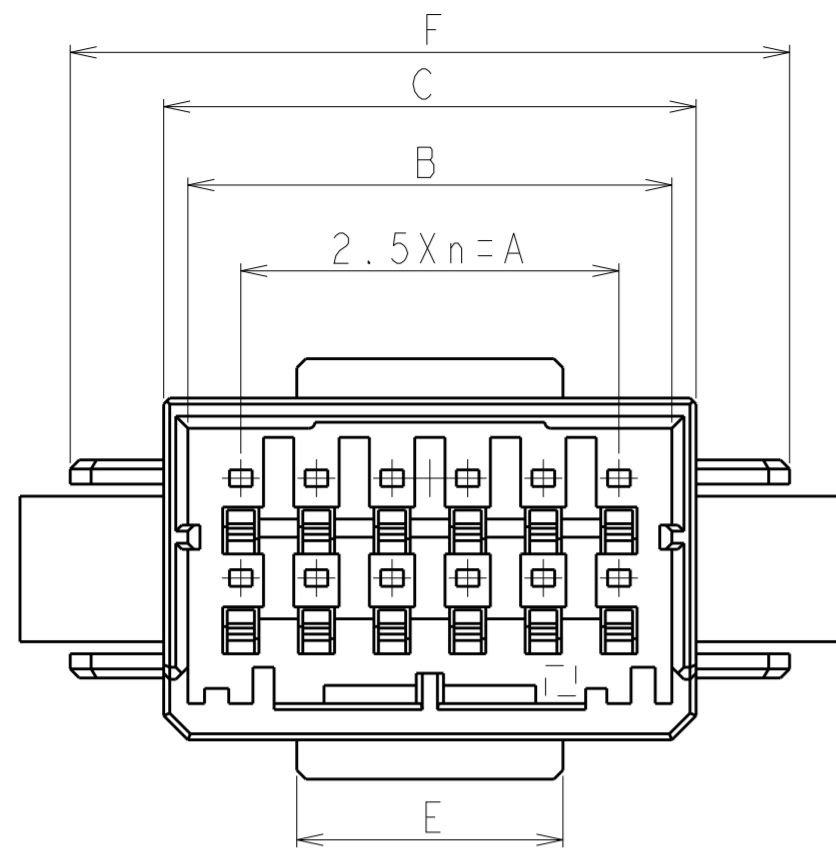
CUSTOMER DRAWING

NAME: DYNAMIC D1200D 2.5mm PITCH TAB HSG, PANEL MOUNT TYPE 4-20 POS

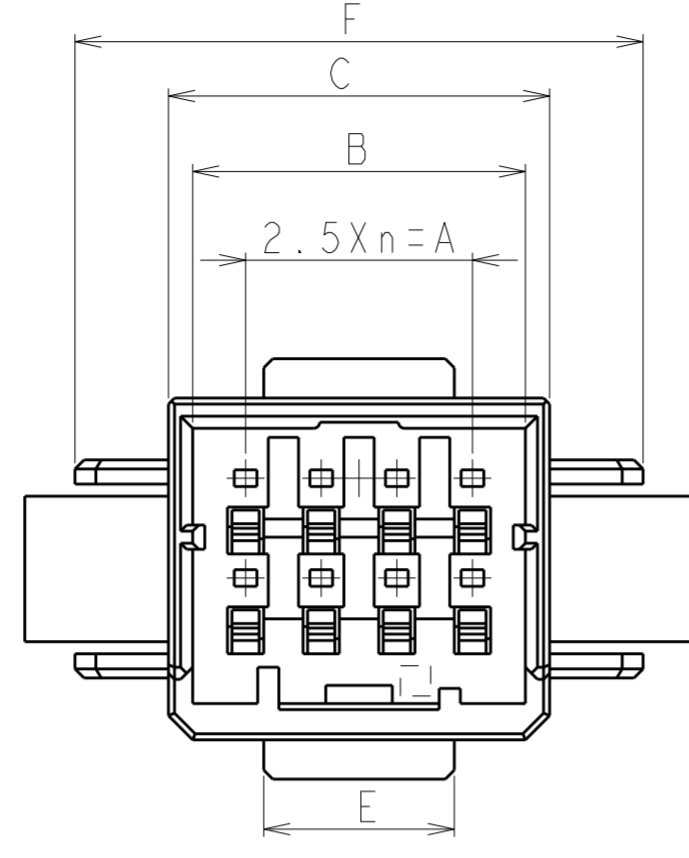
SIZE: A2 CAGE CODE: 00779 DRAWING NO: C-1903131 RESTRICTED TO: -

SCALE: 4:1 SHEET: 1 OF 2 REV: DI

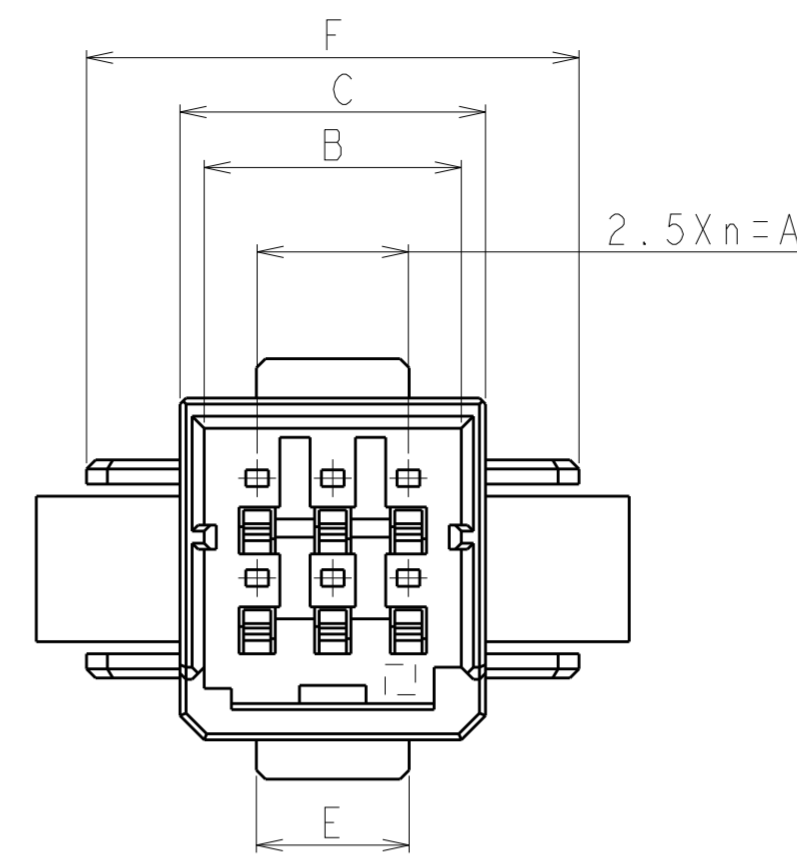
| REVISIONS | | | | |
|-----------|-----|------------------|------|------|
| P | LTR | DESCRIPTION | DATE | APVD |
| | | SEE SHEET 1 OF 2 | | |



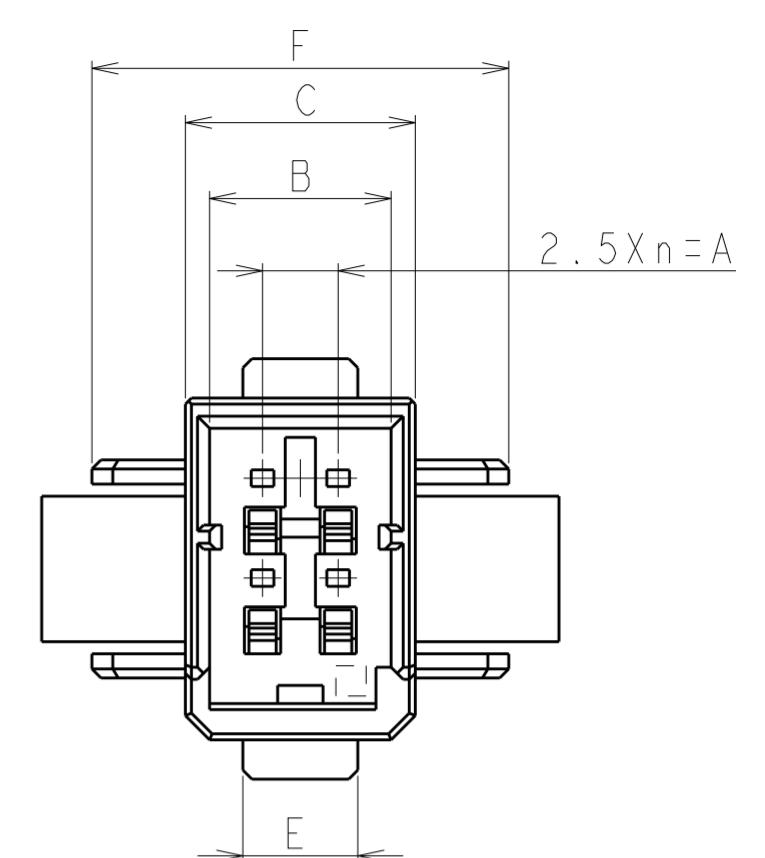
12POS(X-KEY): 1-1903131-6



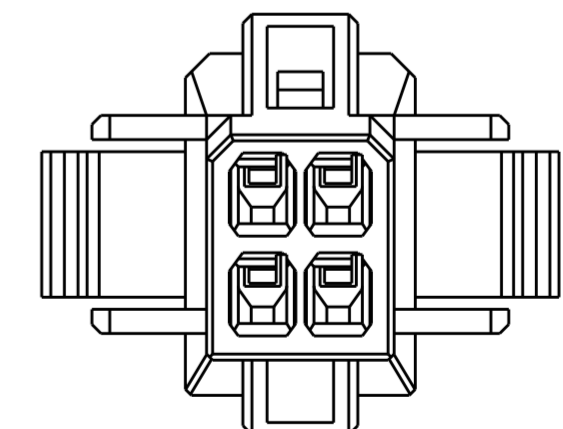
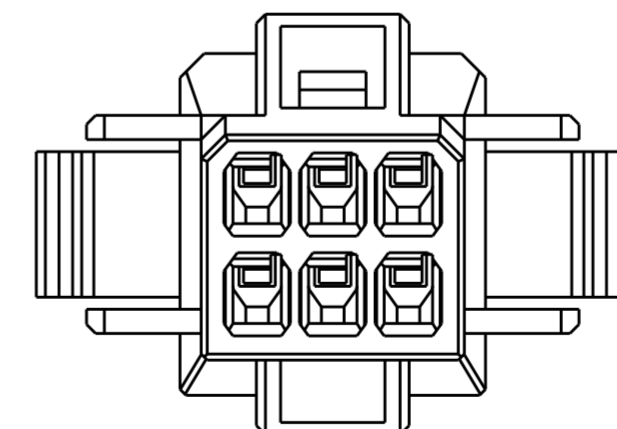
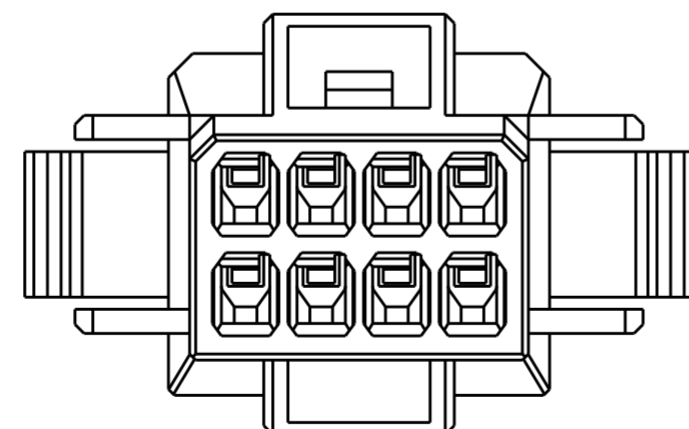
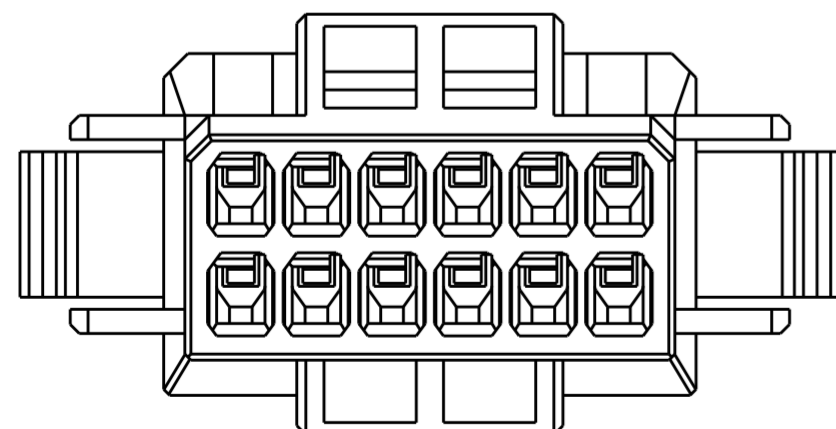
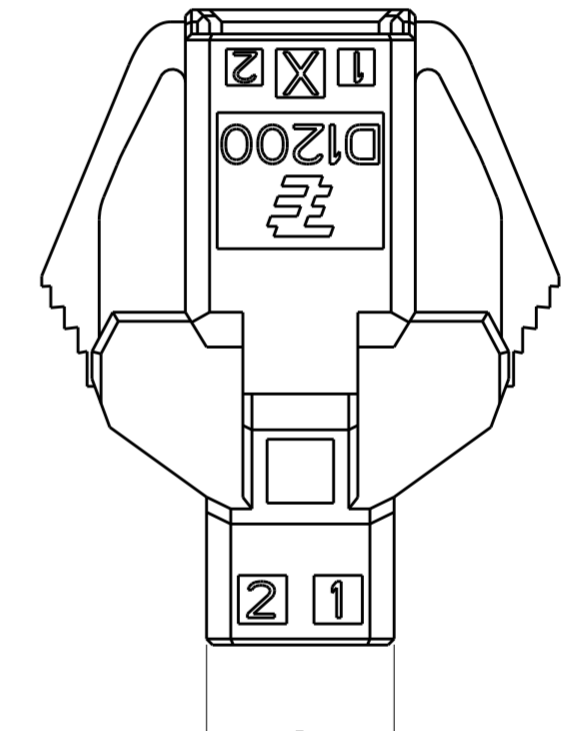
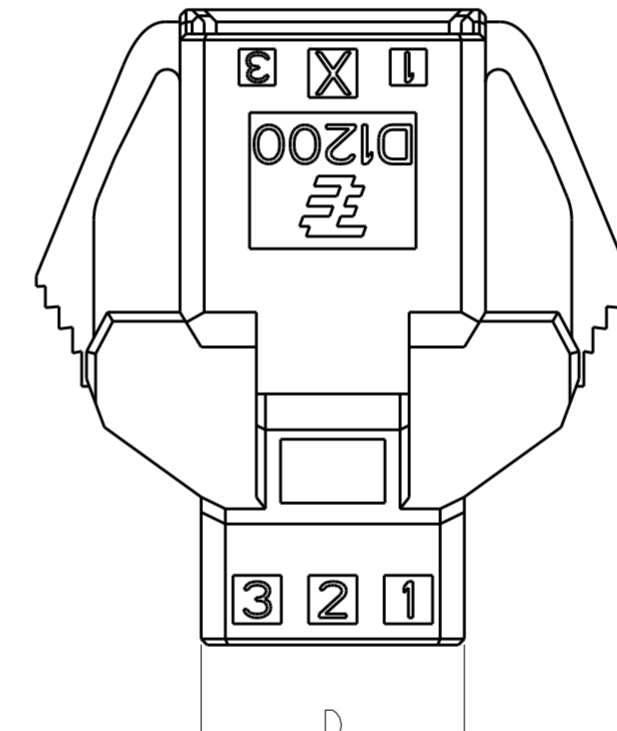
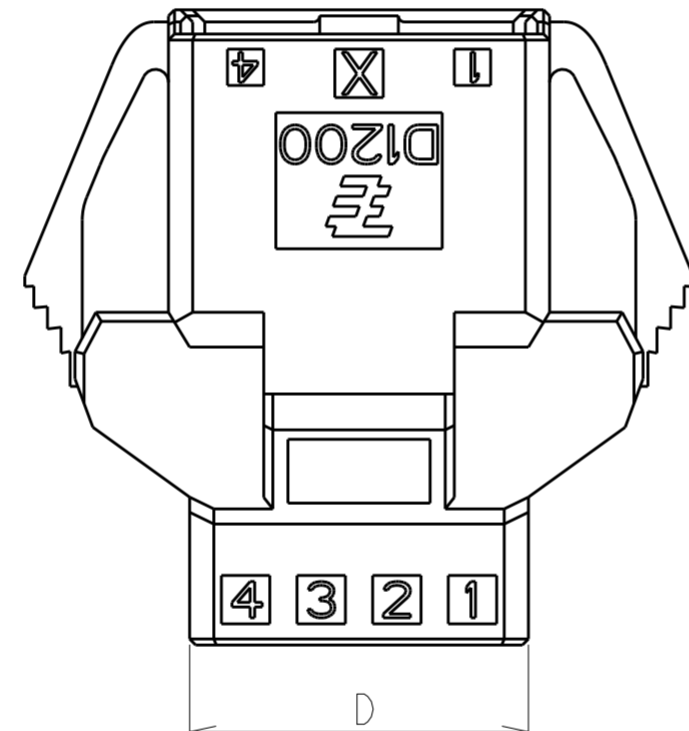
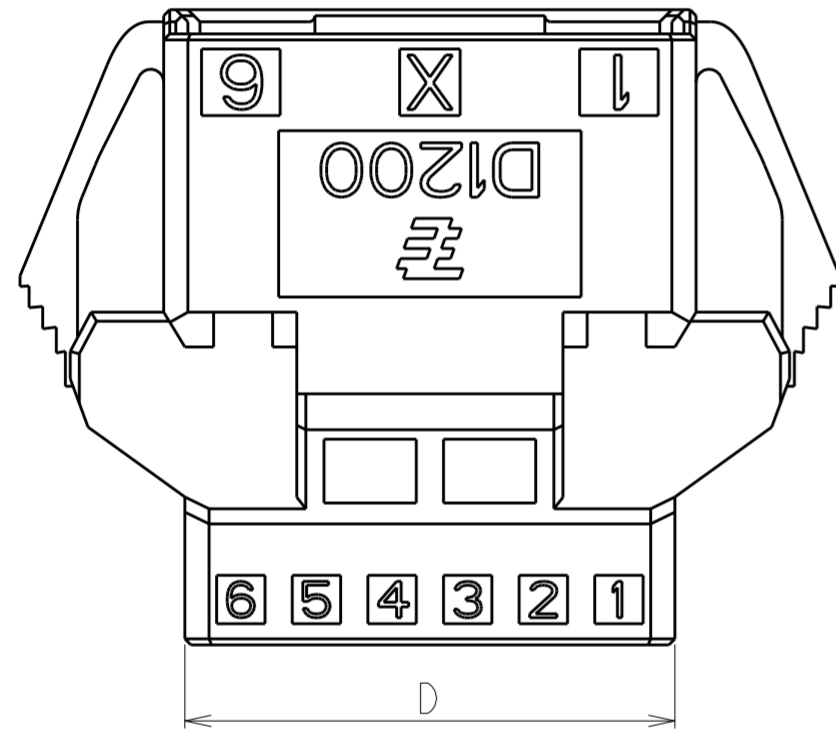
8POS(X-KEY): 1-1903131-4



6POS(X-KEY): 1-1903131-3



4POS(X-KEY): 1-1903131-2



| | | | | |
|---|--|--|---------------------|---|
| THIS DRAWING IS A CONTROLLED DOCUMENT. | | DWN M. MAEBASHI 17APR2006 | TE Connectivity | NAME DYNAMIC D1200D 2.5mm PITCH TAB HSG, PANEL MOUNT TYPE 4-20 POS |
| DIMENSIONS: | | CHK T. KUDO 17APR2006 | | |
| mm | | APVD D. MITSUGI 17APR2006 | | |
| TOLERANCES UNLESS OTHERWISE SPECIFIED: 0-PLC ±0.3, ±3° 1-PLC ±0.5 2-PLC ±0.13 3-PLC ±0.013 4-PLC ±0.001 ANGLES ±0.001 FINISH | | PRODUCT SPEC 108-78268, 78298 APPLICATION SPEC 114-5377 WEIGHT | | |
| MATERIAL | | CUSTOMER DRAWING | SIZE A200779 | DRAWING NO C-1903131 |
| | | SCALE 4:1 | SHEET 2 OF 2 | REV D1 |

单击下面可查看定价，库存，交付和生命周期等信息

[>>TE Connectivity\(泰科\)](#)