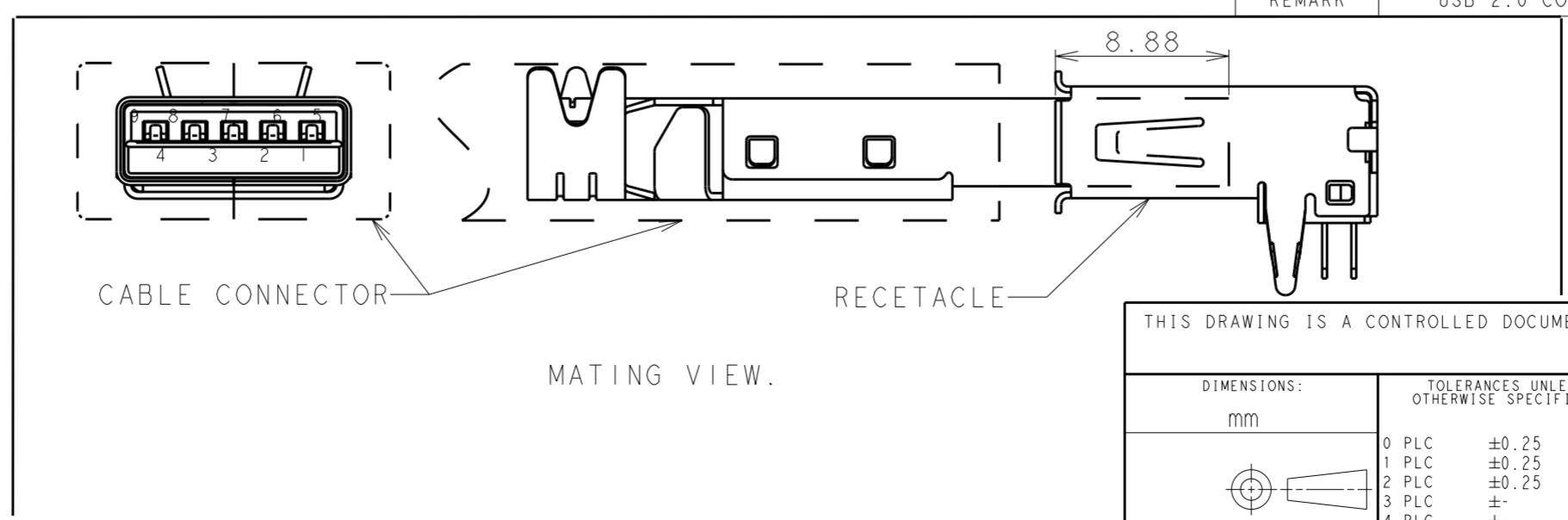
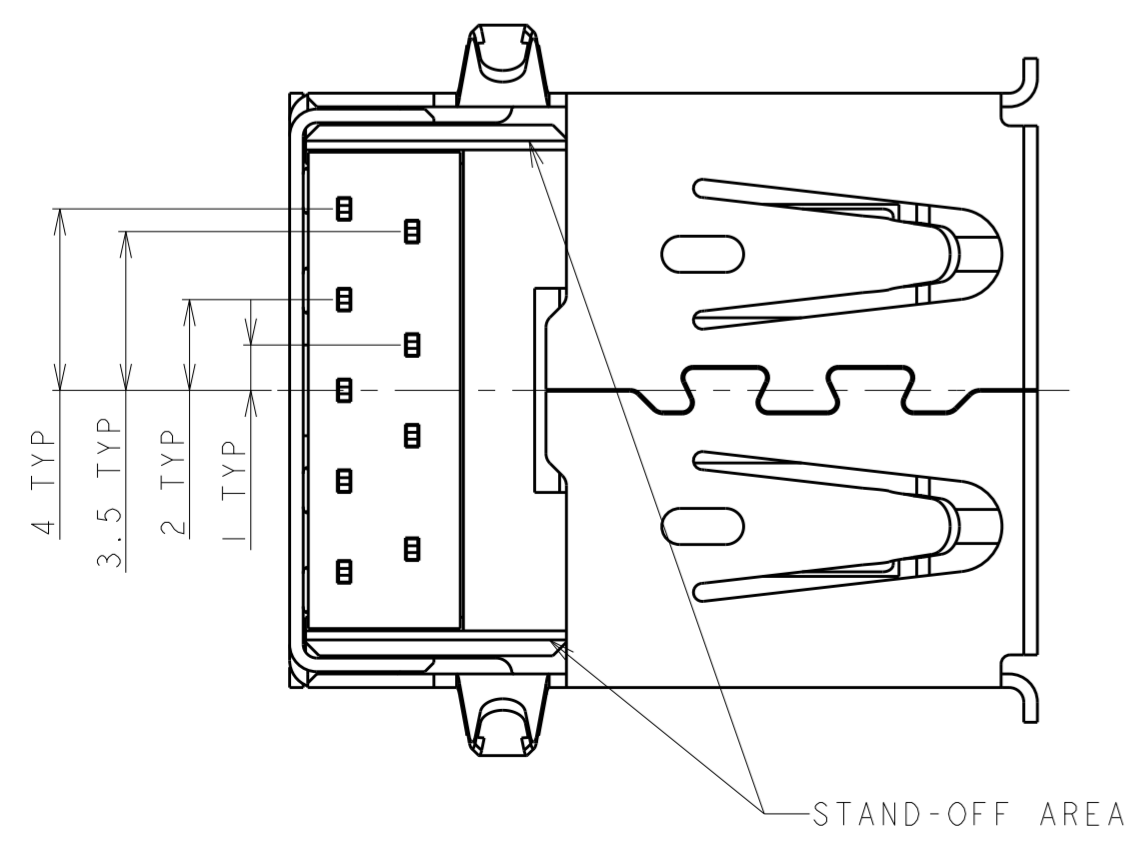
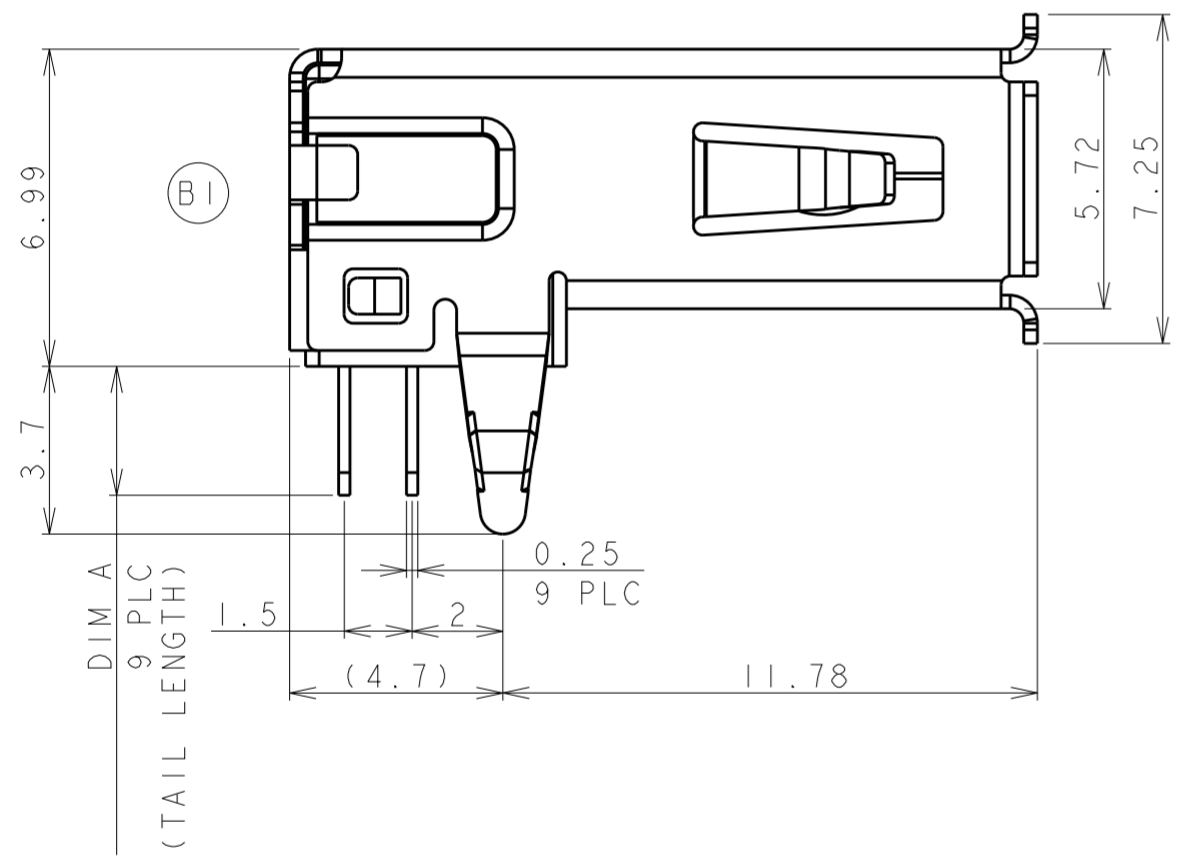
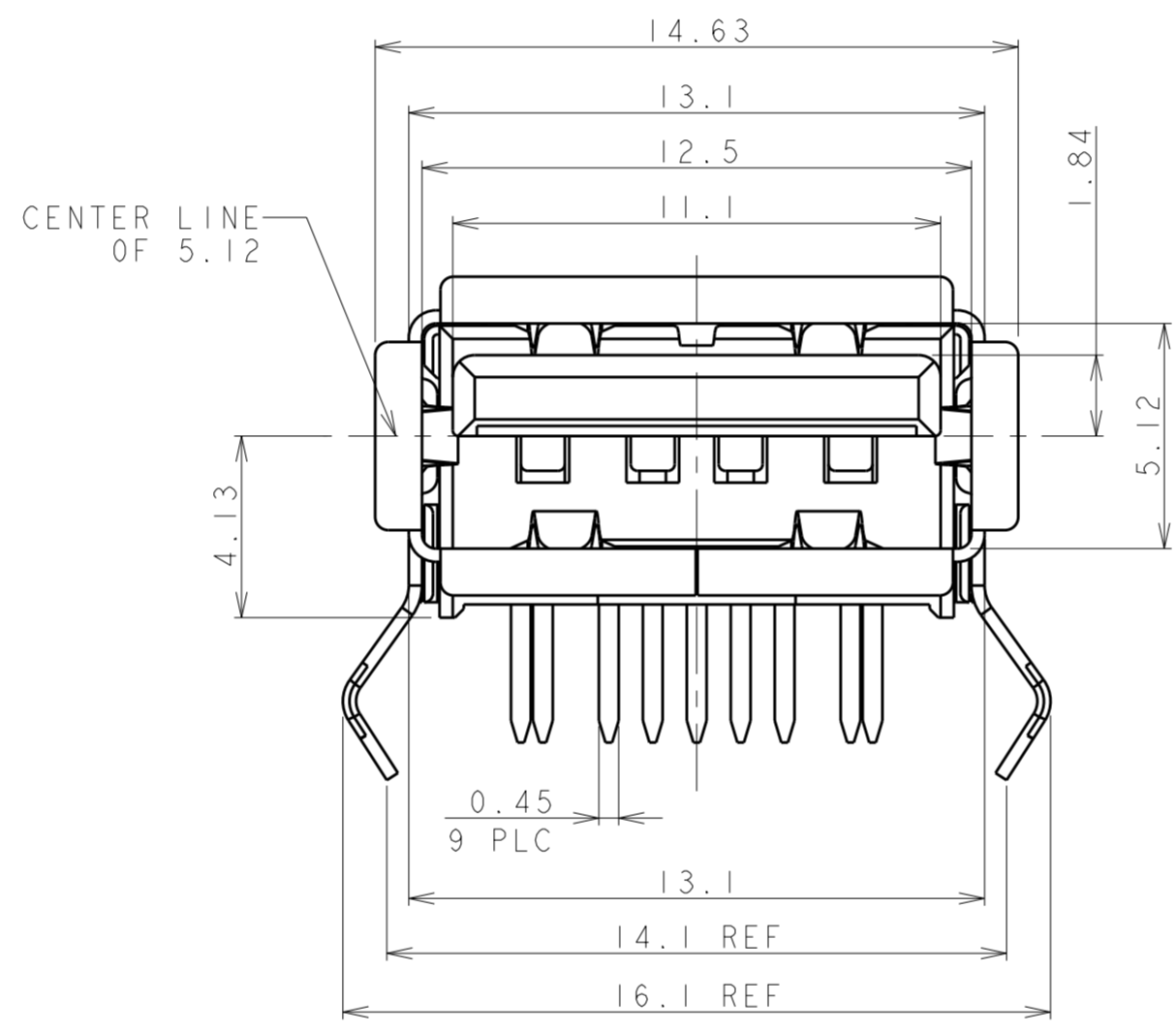
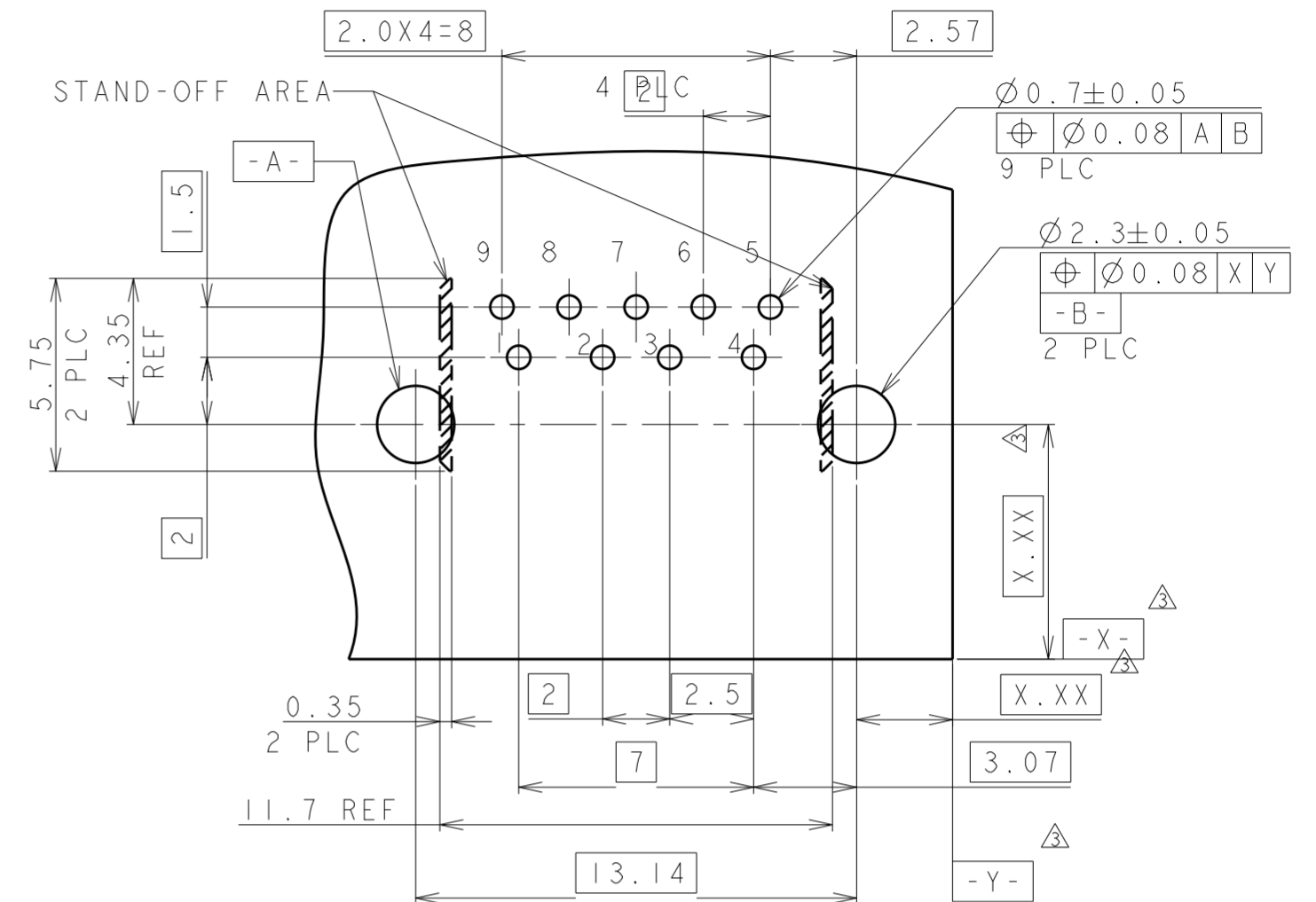
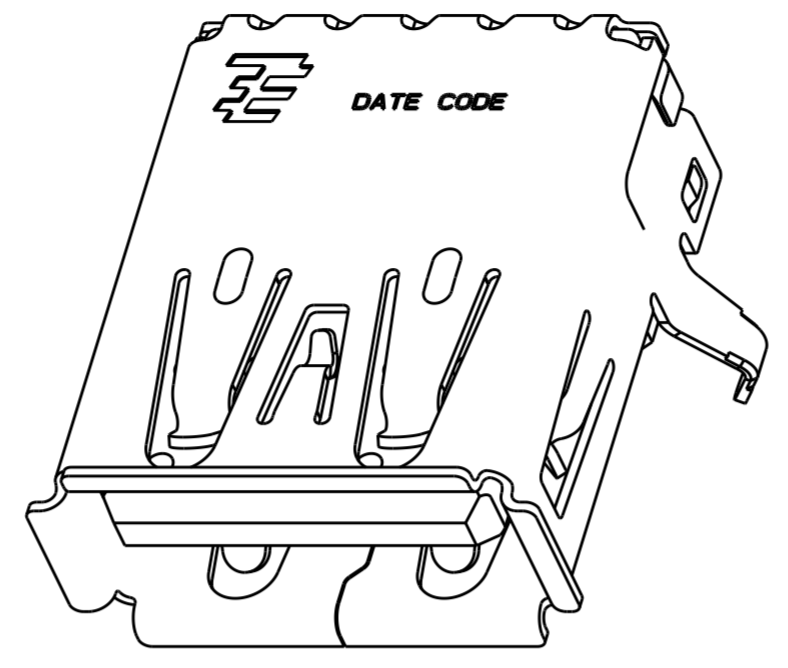
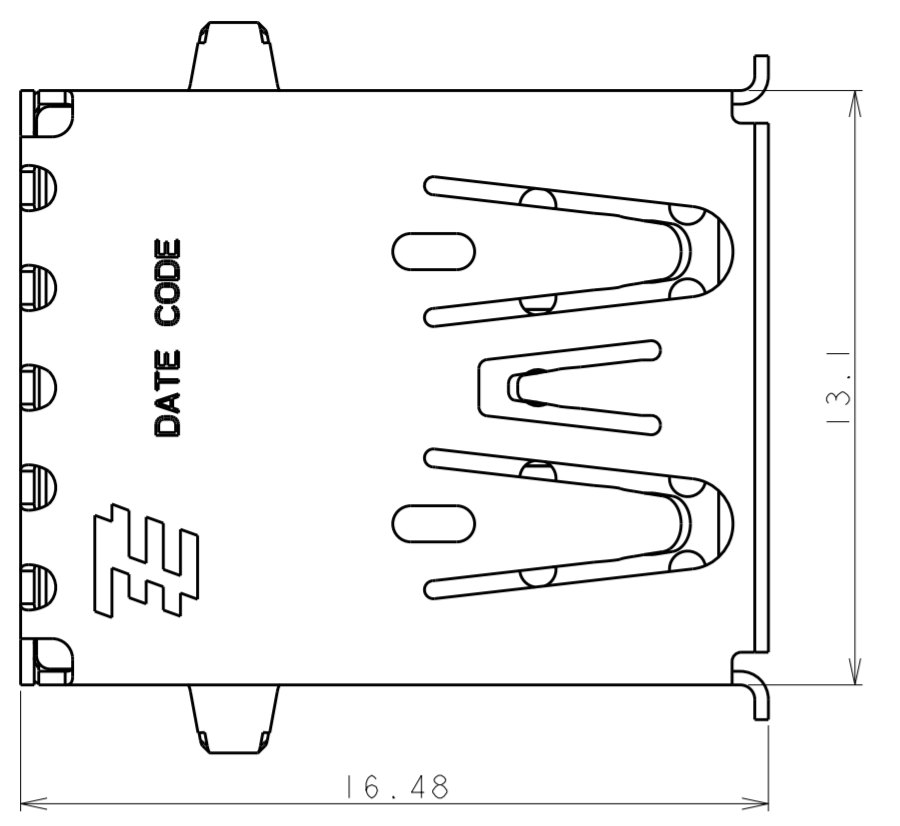


THIS DRAWING IS UNPUBLISHED. RELEASED FOR PUBLICATION 20
 © COPYRIGHT 20 ALL RIGHTS RESERVED.

LOC		DIST		REVISIONS			
P	LTR	DESCRIPTION	DATE	DWN	APVD		
ES	00						
A2		REVISED PER ECO-11-005033	15APR11	RK	HMR		
B		REVISED PER ECR-14-012319	18SEP2014	F.L	J.L		
B1		REVISED PER ECR-15-014919	14OCT2015	T.Z	H.W		
B3		REVISED PER ECR-17-010413	20JUL2017	T.Z	H.W		



NOTE:
 △ MATERIAL:
 (B2) SHELL: STAINLESS STEEL
 CONTACT: COPPER ALLOY.
 △ HOUSING: THERMOPLASTIC, BLUE, UL94-HB.
 PLATING:
 CONTACT: GOLD FLASHED OVER 0.76um MIN Pd-Ni PLATING ON MATING AREA, 2.54um MIN MATTE TIN ON SOLDER TAILS, 1.27um MIN NICKEL UNDER PLATING.
 △ SHELL: TIN OVER NICKEL PLATING
 △ DATUM AND BASIC DIMENSIONS ESTABLISHED BY CUSTOMER
 △ RECOMMENDED PC BOARD THICKNESS OF 1.60.
 PLATING:
 CONTACT: 0.76um MIN GOLD PLATING ON MATING AREA, 2.54um MIN. MATTE TIN ON SOLDER TAILS, 1.27um MIN NICKEL UNDER PLATING.
 △ SHELL: TIN OVER NICKEL PLATING
 THIS PART IS PRELIMINARY.
 △ MATERIAL:
 (B2) SHELL: STAINLESS STEEL.
 CONTACT: COPPER ALLOY.
 HOUSING: THERMOPLASTIC, BLUE, UL94V-0.
 8. PIN ASSIGNMENT:

PIN NO.	1	2	3	4	5	6	7	8	9
SIGNAL NAME	VBUS	D-	D+	GND	STDA_SSRX-	STDA_SSRX+	GND_DRAIN	STDA_SSTX-	STDA_SSTX+
REMARK	USB 2.0 CONTACT PIN				USB 3.0 CONTACT PIN				

2.84	△	△	1-1932258-2	△
2.84	△	△	1932258-2	
2.84	△	△	1-1932258-1	△
2.84	△ OR △	△	1932258-1	
DIM A	FINISH	MATERIAL	PART NUMBER	

THIS DRAWING IS A CONTROLLED DOCUMENT.

DWN	FRANCS.LEE	19SEP2010
CHK	MARTIN.LI	19SEP2010
APVD	STEVEN.YAO	19SEP2010
PRODUCT SPEC	108-115001	
APPLICATION SPEC	501-115002	
MATERIAL	△	
WEIGHT	-	

Customer Drawing

TE Connectivity

USB 3.0 TYPE A RECEPTACLE STANDARD TYPE

SIZE	CAGE CODE	DRAWING NO	RESTRICTED TO
A2	0779	C-1932258	-

SCALE 2:1 SHEET 1 OF 1 REV B3

单击下面可查看定价，库存，交付和生命周期等信息

[>>TE Connectivity\(泰科\)](#)