

4

3

2

1

THIS DRAWING IS UNPUBLISHED.

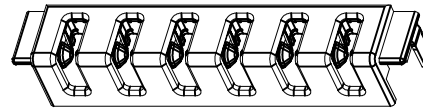
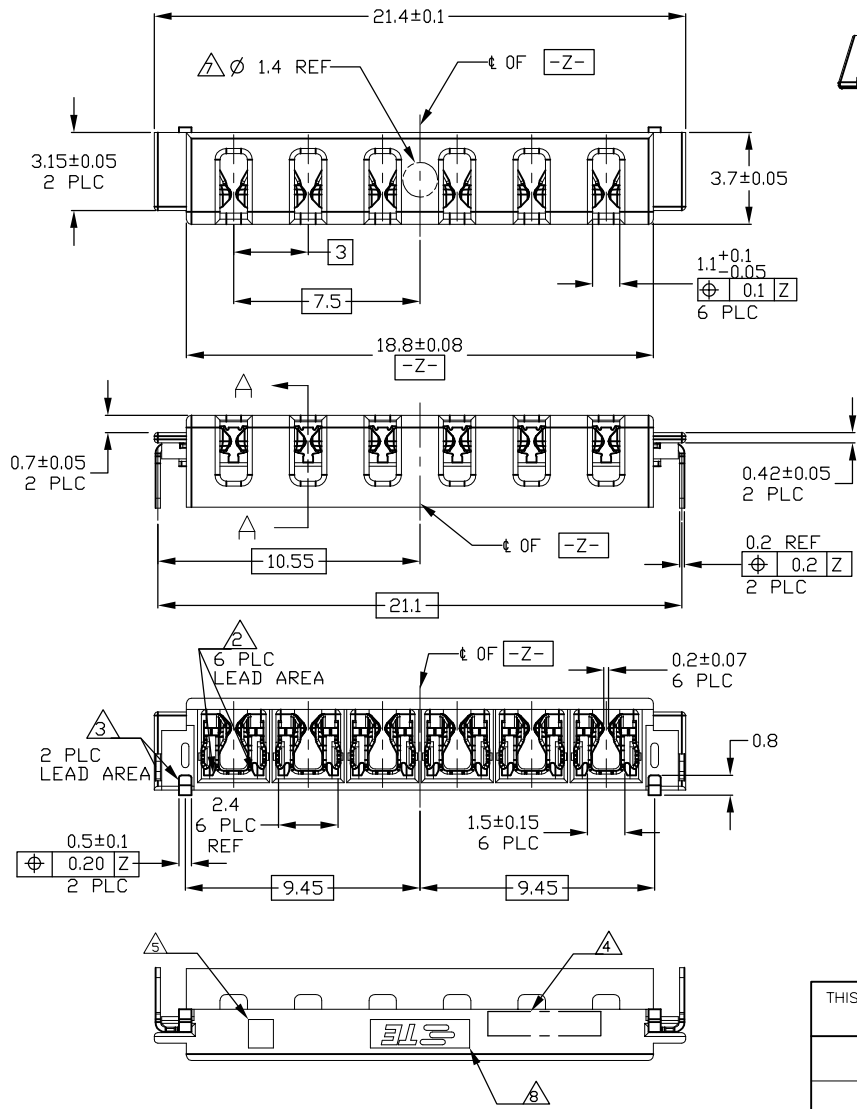
RELEASED FOR PUBLICATION

ALL RIGHTS RESERVED.

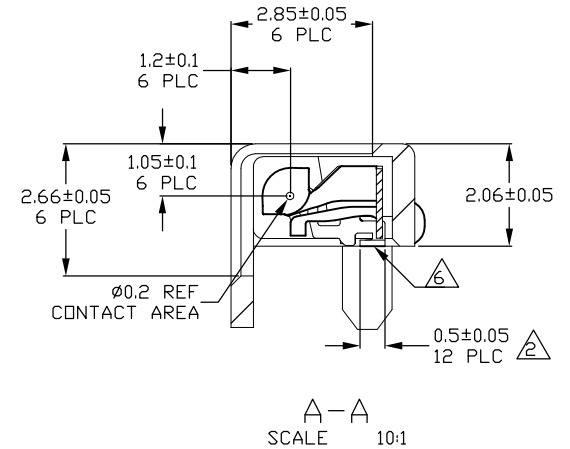
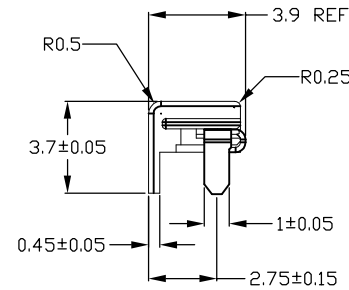
© COPYRIGHT -- By --

REVISIONS

P	LTR	DESCRIPTION	DATE	DWN	APVD
B		CORRECT MARK ERROR	16NOV2017	A.L	W.H



1932869-2:AS SHOWN



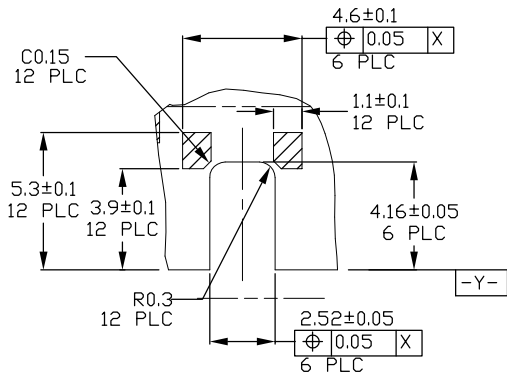
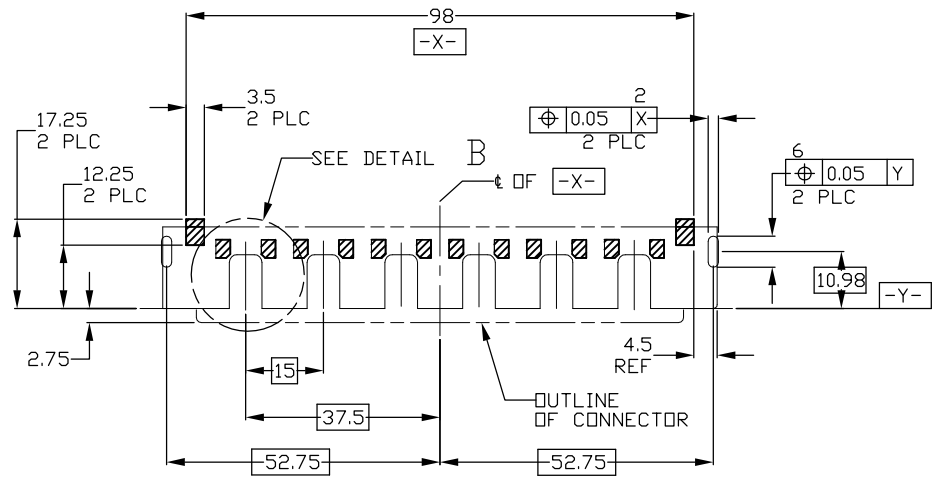
- 1 MATERIAL CONTACT: COPPER ALLOY HOUSING: LCP UL94V-0, BLACK SOLDER PEG: BRASS
- 2 FINISH CONTACT: NICKEL ALL OVER UNDER PLATING, 2.54µm MIN. GOLD PLATING (REF ASTM B488, TYPE 2, GRADE C (130-200KnooP)) 1.27µm MIN AT CONTACT AREA. GOLD FLASH PLATING AT LEAD AREA, 0.05-0.13µm
- 3 FINISH SOLDER PEG: NICKEL ALL OVER UNDER PLATING, OVER 2µm TIN PLATING ALL OVER, 2-5µm, LEAD FREE
- 4 DATE CODE: 5 DIGITS.
- 5 MOLD CAVITY ID.
- 6 COPLANARITY: 0.08MAX.
- 7 PICKING AREA
- 8 TRADE MARK

1	2	1932869-2
FINISH	PART NUMBER	

THIS DRAWING IS A CONTROLLED DOCUMENT.		DWN Tony.Zhang 6JULY2011	TE Connectivity	
DIMENSIONS: mm		CHK Yehei.Harada 6JULY2011		
TOLERANCES UNLESS OTHERWISE SPECIFIED:		APVD Steven.Yao 6JULY2011	NAME FBIS-II	
0 PLC ±0.3		PRODUCT SPEC 108-1691	RECEPTACLE ASSEMBLY ASSEMBLY 6 POS	
1 PLC ±0.3		APPLICATION SPEC	-	
2 PLC ±0.3		WEIGHT	SIZE A3	CAGE CODE 00779
3 PLC ±		MATERIAL 1 -	DRAWING NO C=1932869	RESTRICTED TO -
4 PLC ±			SCALE 5:1	SHEET 1 OF 3
ANGLES ±3'		FINISH 2 -	CUSTOMER DRAWING	

THIS DRAWING IS UNPUBLISHED. RELEASED FOR PUBLICATION  
 © COPYRIGHT - By - ALL RIGHTS RESERVED.

REVISIONS				
P	LTR	DESCRIPTION	DATE	APVD
-	-	SEE SHEET 1	-	-



RECOMMENDED SMALL PCB LAYOUT  
 (GENERAL TOLERANCE: ± 0.05, SCALE 5:1)

DETAIL B  
 SCALE 10:1

THIS DRAWING IS A CONTROLLED DOCUMENT.		DWN Tony Zhang 6JULY2011	TE Connectivity FBIS-II RECEPTACLE ASSEMBLY 6 POS				
DIMENSIONS: mm		CHK Yohei Harada 6JULY2011			NAME		
TOLERANCES UNLESS OTHERWISE SPECIFIED:		APVD Steven Yao 6JULY2011			PRODUCT SPEC		
0 PLC ± 0.3 1 PLC ± 0.3 2 PLC ± 0.3 3 PLC ± - 4 PLC ± - ANGLES ± 3°		APPLICATION SPEC			108-1691		
MATERIAL	FINISH	WEIGHT	SIZE A3	CAGE CODE 00779	DRAWING NO. C=1932869	RESTRICTED TO	
1	2	-	CUSTOMER DRAWING		SCALE 1:1	SHEET 2 OF 3	REV B

4

3

2

1

THIS DRAWING IS UNPUBLISHED.

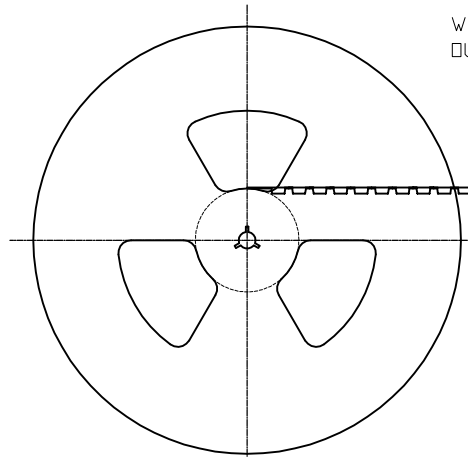
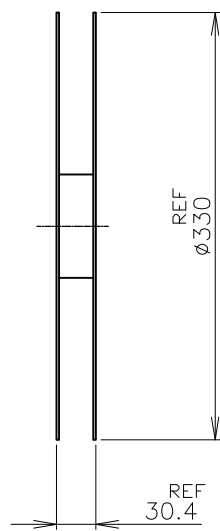
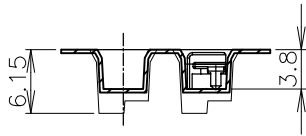
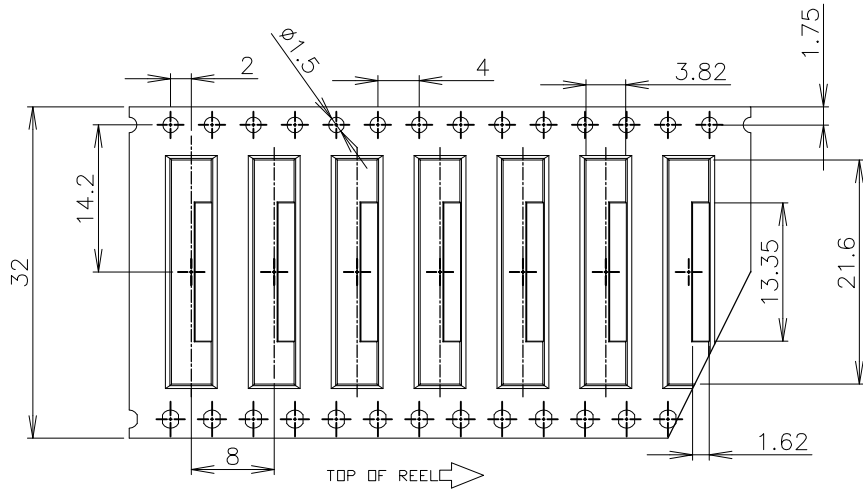
RELEASED FOR PUBLICATION

ALL RIGHTS RESERVED.

© COPYRIGHT - By -

REVISIONS

P	LTR	DESCRIPTION	DATE	DWN	APVD
-	-	SEE SHEET 1	-	-	-



WIDE COVER TAPE AROUND  
OUT PERIPHERY 1 TURN

TOP OF REEL

PEELING STRENGTH  
0.1-1.3N MAX(300±10mm/min)  
PEELING ANGLE  
165-180°

2000EA/REEL

WITHOUT CHARGE  
300mm APPROX

WITH PRODUCT CHARGE  
600mm APPROX

THIS DRAWING IS A CONTROLLED DOCUMENT.

DWN Tony Zhang 6JULY2011

CHK Yohei Harada 6JULY2011

APVD Steven Yao 6JULY2011

PRODUCT SPEC

108-1691

APPLICATION SPEC

WEIGHT -

CUSTOMER DRAWING

**TE** TE Connectivity

FBIS-II  
RECEPTACLE ASSEMBLY ASSEMBLY 6 POS

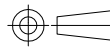
SIZE CAGE CODE DRAWING NO RESTRICTED TO

A3 00779 C=1932869 -

SCALE 5:1 SHEET 3 of 3 REV B

DIMENSIONS: mm

TOLERANCES UNLESS OTHERWISE SPECIFIED:



- 0 PLC ± 0.1
- 1 PLC ± 0.1
- 2 PLC ± 0.1
- 3 PLC ±
- 4 PLC ±
- ANGLES ± 3'

MATERIAL FINISH

单击下面可查看定价，库存，交付和生命周期等信息

[>>TE Connectivity\(泰科\)](#)