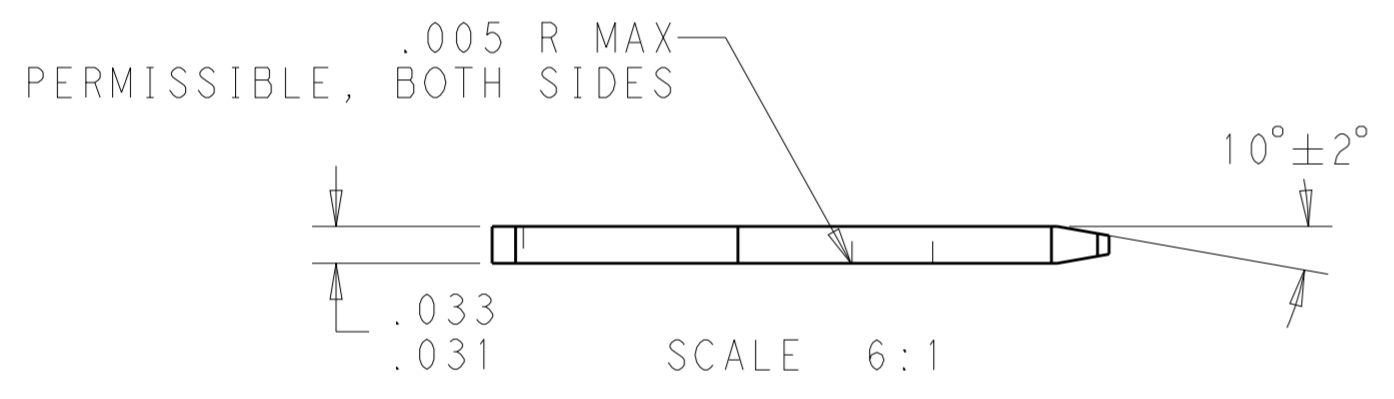
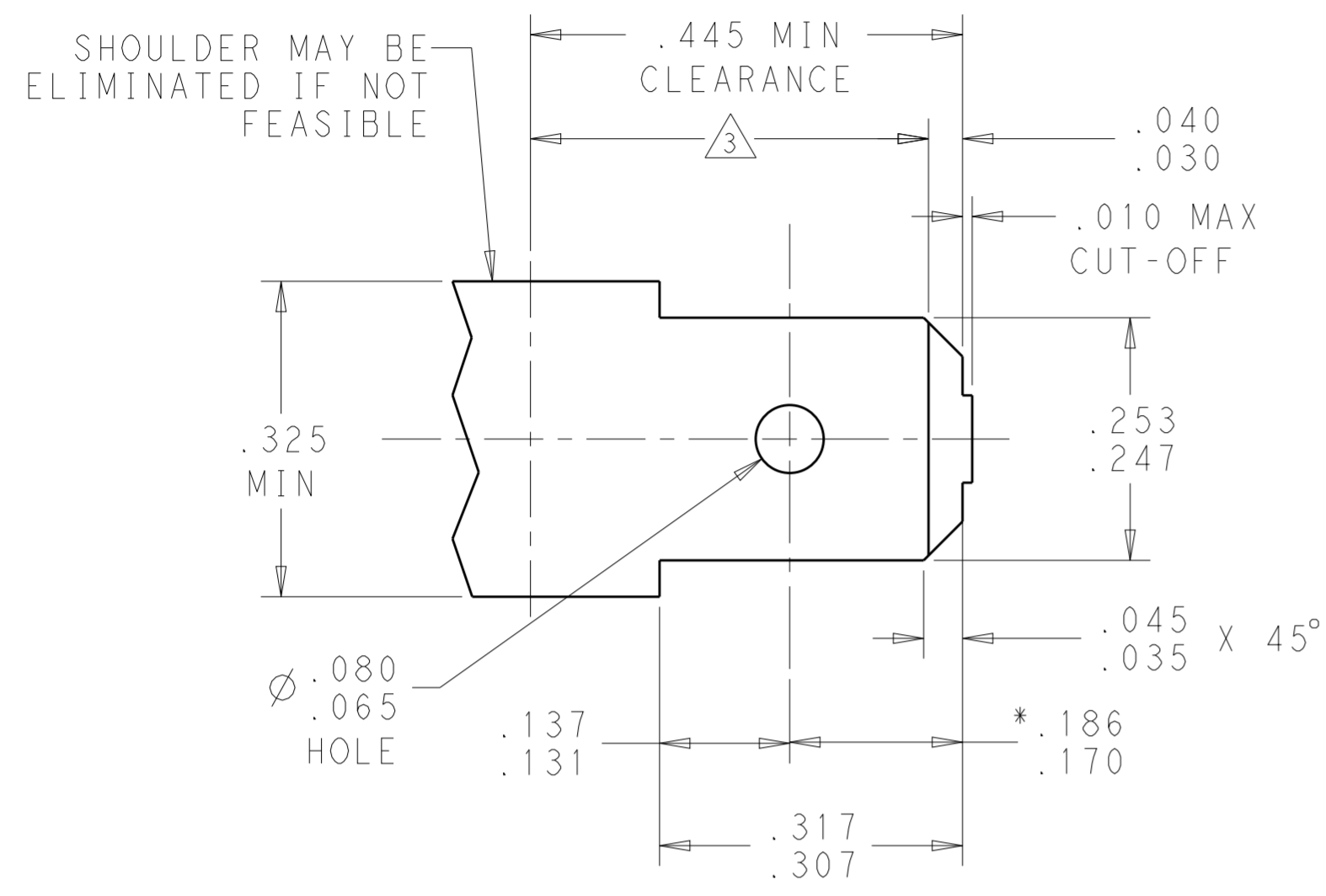
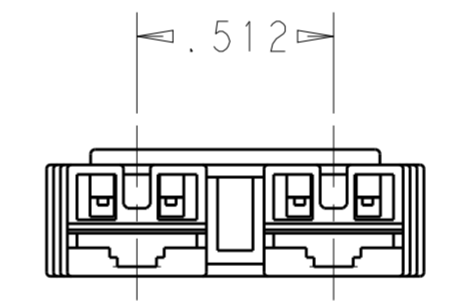
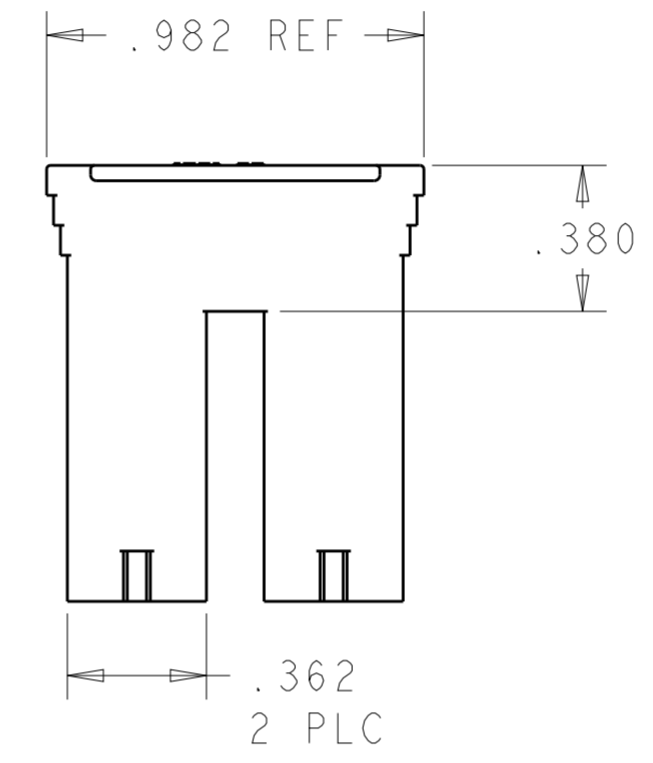
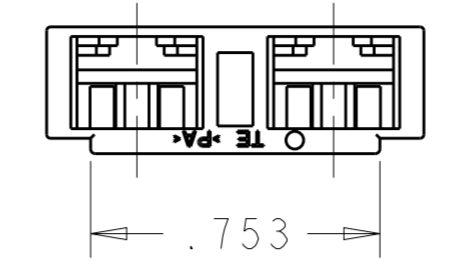
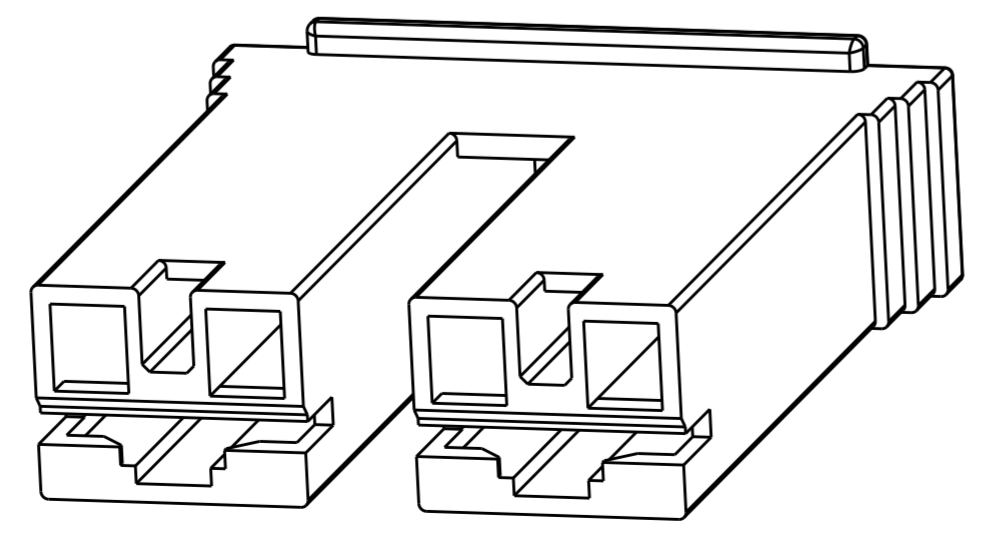


LOC		DIST		REVISIONS			
P	LTR	DESCRIPTION	DATE	DWN	APVD		
A7		REVISED PER ECR-18-006473	18SEP2018	BDA	DS		
A8		REVISED PER ECR-20-005966	01OCT2020	SS	EW		

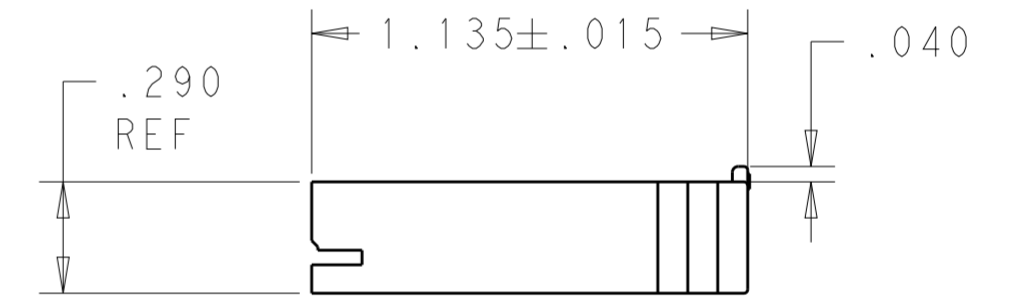
# SUGGESTED MATING TAB



- 1 MATL: 1/2H BRASS OR NICKEL PL STEEL
- 2 NO BURRS PERMISSBLE AT HOLE
- △ MUST BE FLAT WITHIN .003 OVER THIS LENGTH
- 4 TIN PLATING IS REQUIRED ON BRASS WHEN TERMINAL TEMP IS OVER 225° F.
- 5 HOLE MUST BE SYMMETRICAL ABOUT TAB CENTERLINE WITHIN .003
- \* TO BE USED ONLY WHEN SHOULDER IS ELIMINATED.



1 FOR USE WITH MKII POSITIVE LOCK, LOW INSERTION FORCE FASTON RECEPTACLES AND MOST BUDGET FASTON RECEPTACLES.



COLOR	MATERIAL	PART NO.
NATURAL	66 Nylon V0	3-1969453-1
BLACK	66 NYLON	1969453-8
YELLOW	66 NYLON	1969453-6
<del>BLUE</del>	<del>66 NYLON</del>	<del>1969453-5</del>
RED	66 NYLON	1-1969453-2
NATURAL	66 NYLON V0	<del>1-1969453-1</del>
NATURAL (WHITE)	66/6 NYLON V0	1969453-1
COLOR	MATERIAL	PART NO.

SUPERSEDED BY 3-1969453-1

THIS DRAWING IS A CONTROLLED DOCUMENT.

DWN: JR RUTH 04AUG11  
 CHK: KURT RANDOLPH 04AUG11  
 APVD: KURT RANDOLPH 04AUG11

TE Connectivity

NAME: HOUSING, RECPT, POSITIVE-LOCK AND STANDARD FASTON, .250 SERIES MKII

SIZE: A2 CAGE CODE: 200779 DRAWING NO: C-1969453 RESTRICTED TO: 1 OF 1 REV: A8

SCALE: 8:1 SHEET: 1 OF 1

MATERIAL: SEE TABLE

TOLERANCES UNLESS OTHERWISE SPECIFIED:  
 0 PLC ±.1  
 1 PLC ±.1  
 2 PLC ±.02  
 3 PLC ±.010  
 4 PLC ±.0005  
 ANGLES ±

APPLICATION SPEC: -  
 WEIGHT: -  
 CUSTOMER DRAWING

单击下面可查看定价，库存，交付和生命周期等信息

[>>TE Connectivity\(泰科\)](#)