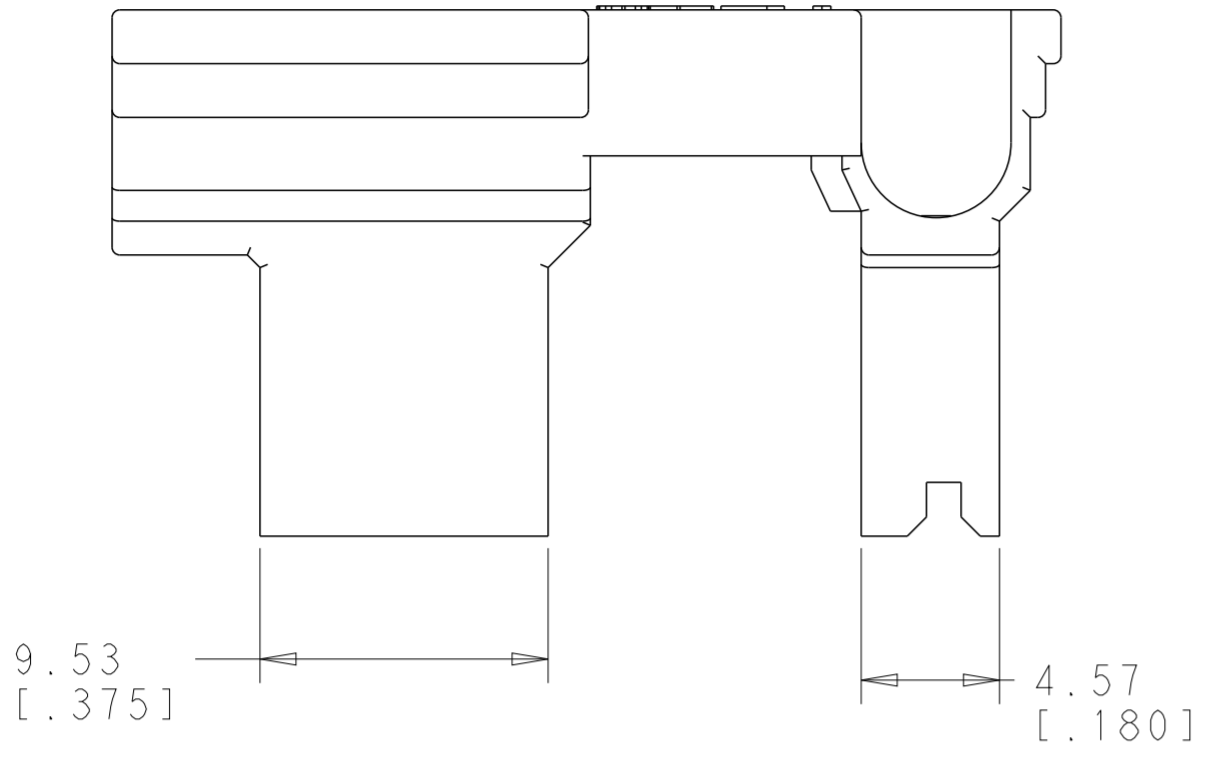
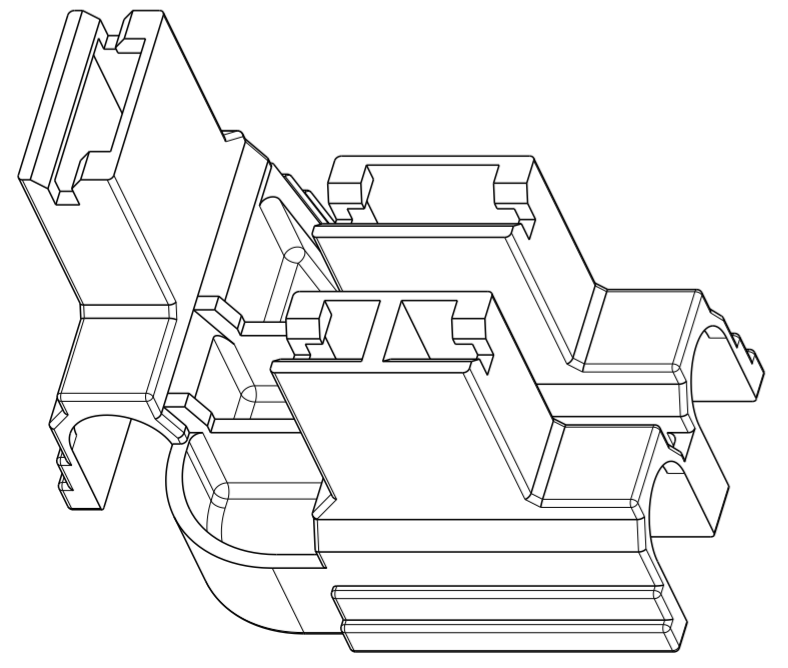
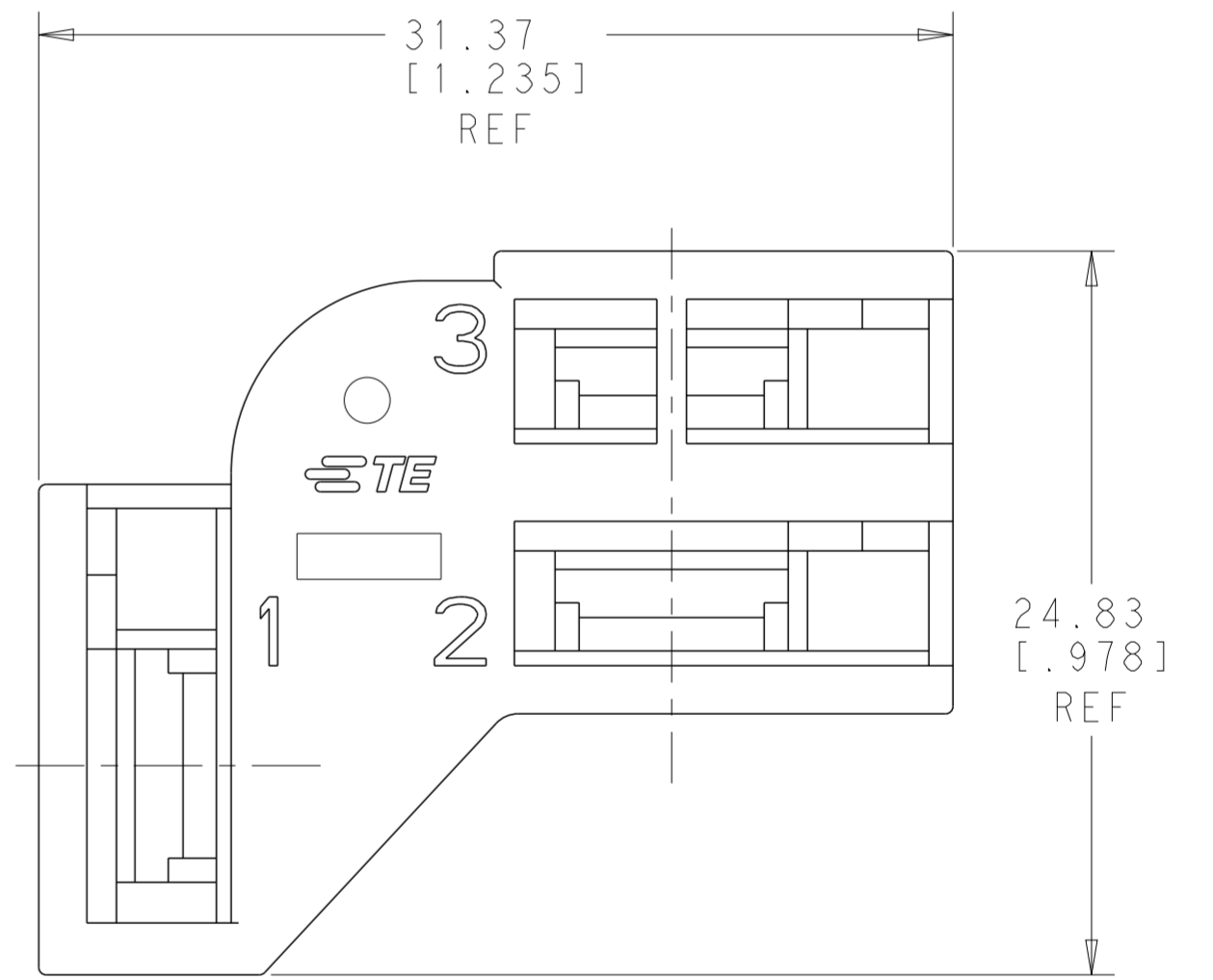
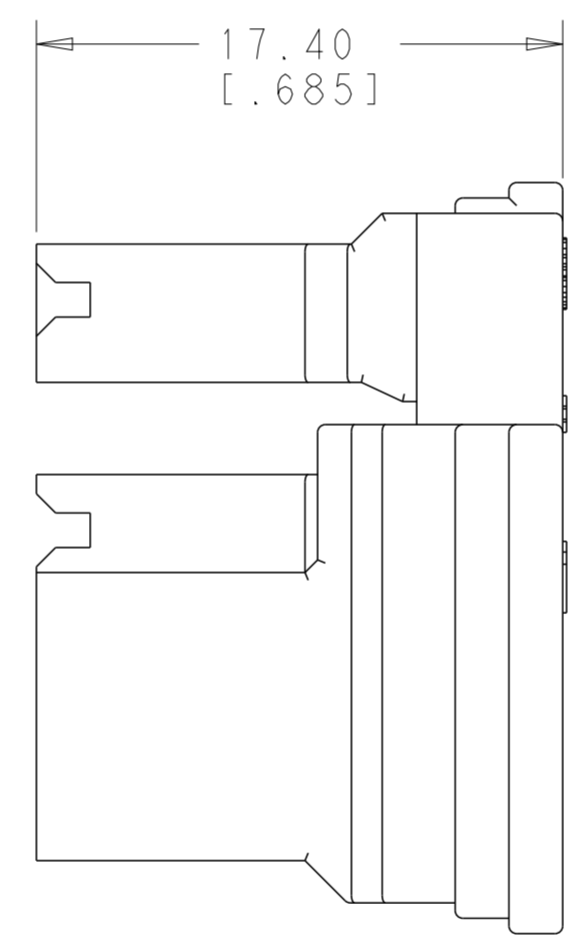
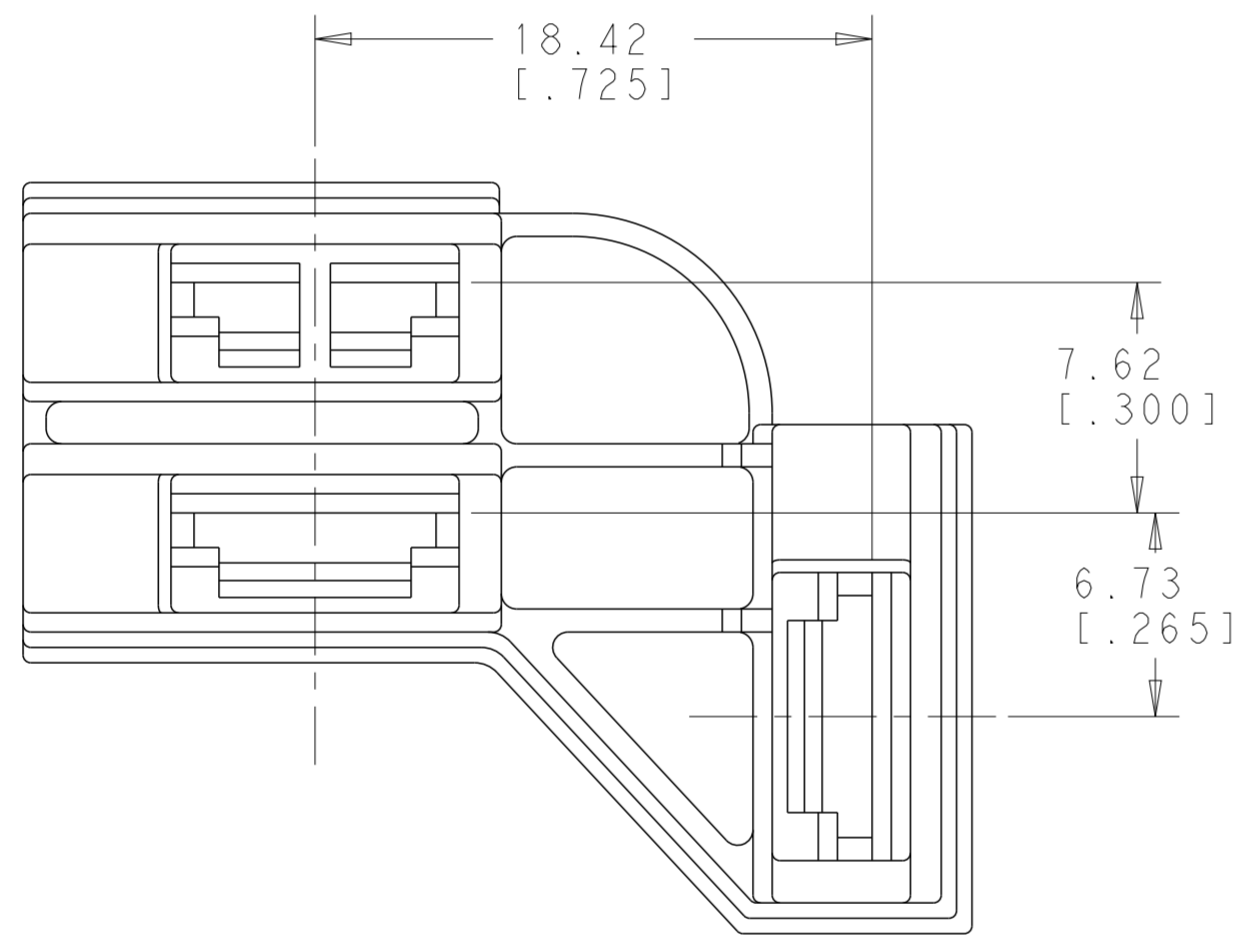


THIS DRAWING IS UNPUBLISHED. RELEASED FOR PUBLICATION 20  
 © COPYRIGHT 20 BY - ALL RIGHTS RESERVED.

REVISIONS				
P	LTR	DESCRIPTION	DATE	APVD
C		REVISED PER ECR-19-003973	03APR2019	BDA DS



- 1 THIS PART ACCEPTS TERMINAL 63009 OR 63963 18-14 GAUGE WIRE.
- 2 FOR PROPER ENGAGEMENT THE MATING TAB MUST HAVE A MIN OF .315 USEABLE LENGTH.
- 3 PRELIMINARY PART NUMBER. NOT RELEASED FOR PRODUCTION
- 4 OBSOLETE PARTS
- 5 PARTS MAY APPEAR MEDIUM COLORED TO LIGHT COLORED AND EXHIBIT A MARBLING EFFECT.



SCALE 3:1

4	SUPERSEDED BY	BLACK	66 Nylon V0, Black, GWT	5 1-1969706-1
	1-1969706-1	-	-	3 1969706-2
	-	-	-	<del>1-1969706-1</del>
	-	COLOR	MATERIAL	PART NO.

THIS DRAWING IS A CONTROLLED DOCUMENT.		DWN	JR RUTH	17OCT14	<b>STE</b> TE Connectivity	
DIMENSIONS: mm [INCHES]		CHK	DAVE HUMPHREY	17OCT14		
TOLERANCES UNLESS OTHERWISE SPECIFIED:		APVD	DAVE HUMPHREY	17OCT14		
0 PLC ±		PRODUCT SPEC				
1 PLC ±		APPLICATION SPEC			NAME	HOUSING, RECEPTACLE, FLAG FASTON, 6.35 [.250] SERIES, 2 POSITION
2 PLC ±0.25 [.010]		WEIGHT			SIZE	A200779
3 PLC ±		Customer Drawing			CAGE CODE	C-1969706
4 PLC ±		SCALE	1:1		DRAWING NO	
ANGLES ±		SHEET	1	OF	1	REV
FINISH		RESTRICTED TO				C
COLOR-BLACK						
NO DRIP						

单击下面可查看定价，库存，交付和生命周期等信息

[>>TE Connectivity\(泰科\)](#)