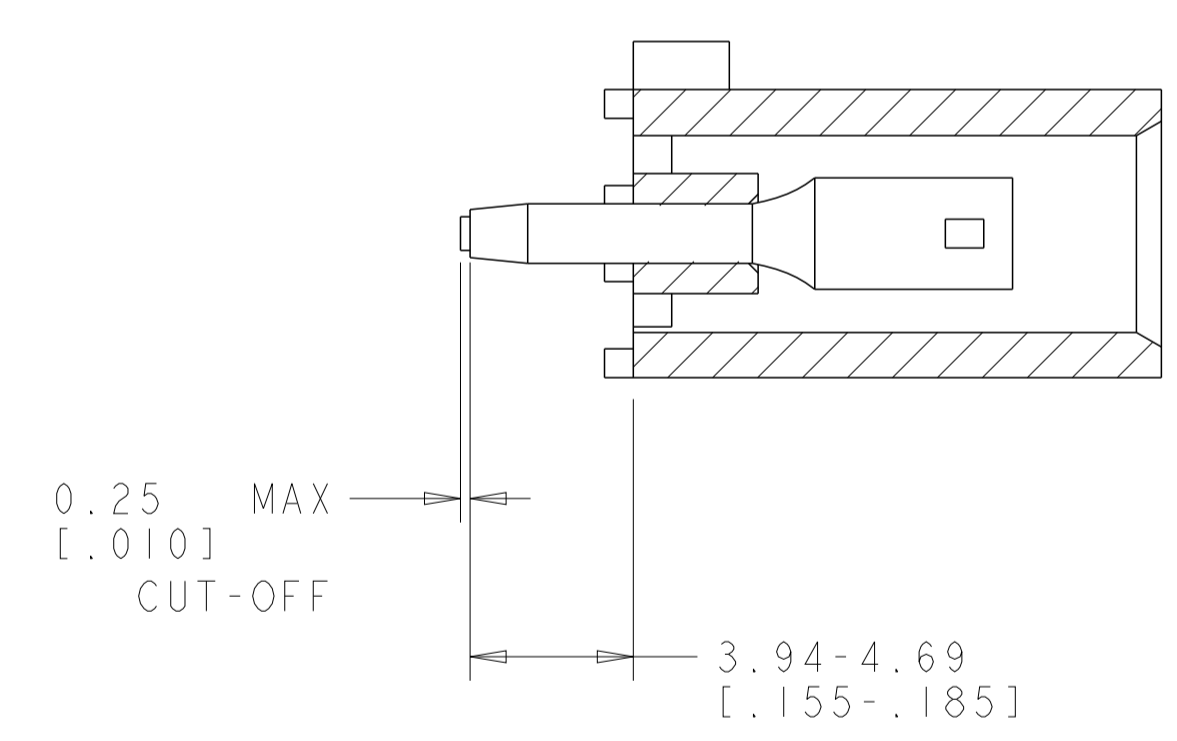
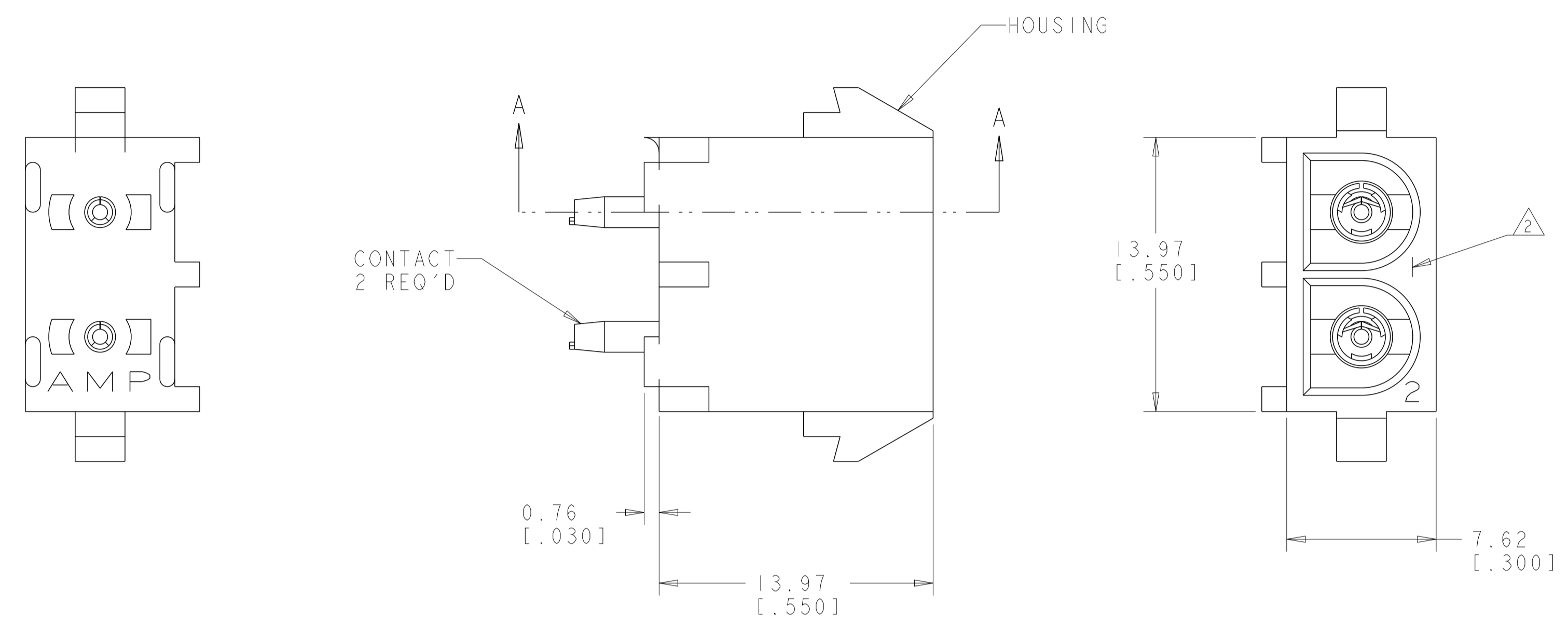
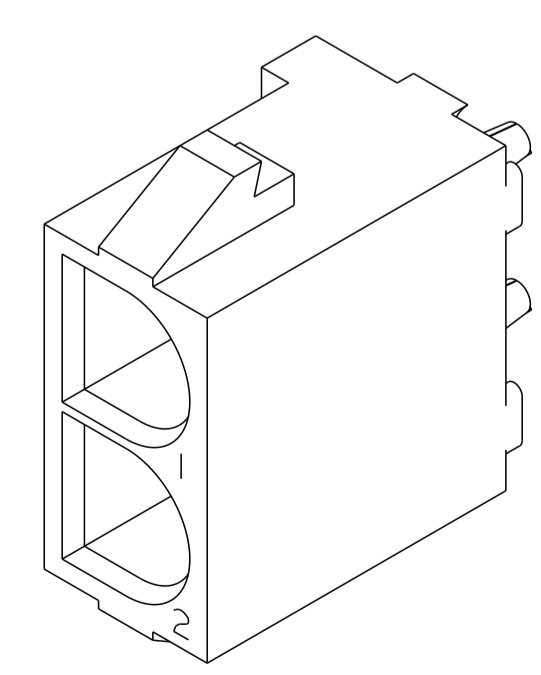


REVISIONS				
P	LTN	DESCRIPTION	DATE	APVD
A		REVISED PER ECR-16-002640	10MAR2016	BW EW

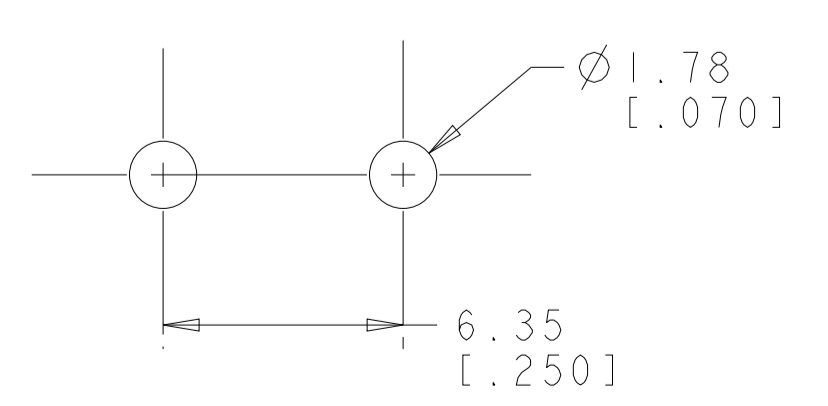
- PARTS COMPLY TO TYCO ELECTRONICS SOLDERABILITY SPECIFICATION 109-11-2.
- $\triangle$  CIRCUIT IDENTIFICATION CHARACTERS ARE ADJACENT TO THE INDICATED CAVITIES, BUT LOCATION AND ORIENTATION MAY DIFFER FROM PRINT.
- DIMENSIONS IN BRACKETS ARE IN INCHES.
- FLAMMABILITY UL V-0 FOR THICKNESS 0.4, 0.45, 0.8, 1.6, AND 3.0 PER IEC 60695-11-10.
- GLOW WIRE FLAMMABILITY (GWFI): 960°C FOR THICKNESS 0.45, 0.8, 1.6, AND 3.0 PER IEC 60695-2-12.
- GLOW WIRE IGNITION (GWIT): 825°C FOR THICKNESS 0.45, 800°C FOR THICKNESS 0.8, 775°C FOR THICKNESS 1.6 AND 3.0 PER IEC 60695-2-13.



SECTION A-A



3 DIMENSIONAL VIEW  
SCALE 4:1



RECOMMENDED MOUNTING HOLE PATTERN  
FOR 1.57 [.062] THICK P.C. BOARD

PHOSPOR BRONZE, PRE-TIN CONTACT MATERIAL AND FINISH	NYLON, UL V-0 GW, NATURAL HOUSING MATERIAL AND COLOR	1969795-1 PART NUMBER
THIS DRAWING IS A CONTROLLED DOCUMENT.		OWN: BASVESH WARAD 25DEC2015 CHK: WICKES, EVAN 25DEC2015 APVD: WICKES, EVAN 25DEC2015
DIMENSIONS: mm [ INCHES ]	TOLERANCES UNLESS OTHERWISE SPECIFIED:	NAME: SOCKET HEADER ASSEMBLY, 2 CIRCUIT, W/DRAIN HOLES, UNIVERSAL MATE-N-LOK(TM)
	0 PLC ± 1 PLC ± 2 PLC ±0.131(.005) 3 PLC ± 4 PLC ± ANGLES ±40°30'	APPLICATION SPEC: - SIZE: A1 CAGE CODE: 1969795 DRAWING NO: 1969795
MATERIAL: SEE TABLE	FINISH: SEE TABLE	WEIGHT: - CUSTOMER DRAWING
SCALE: 5:1		SHEET 1 OF 1 REV A

单击下面可查看定价，库存，交付和生命周期等信息

[>>TE Connectivity\(泰科\)](#)