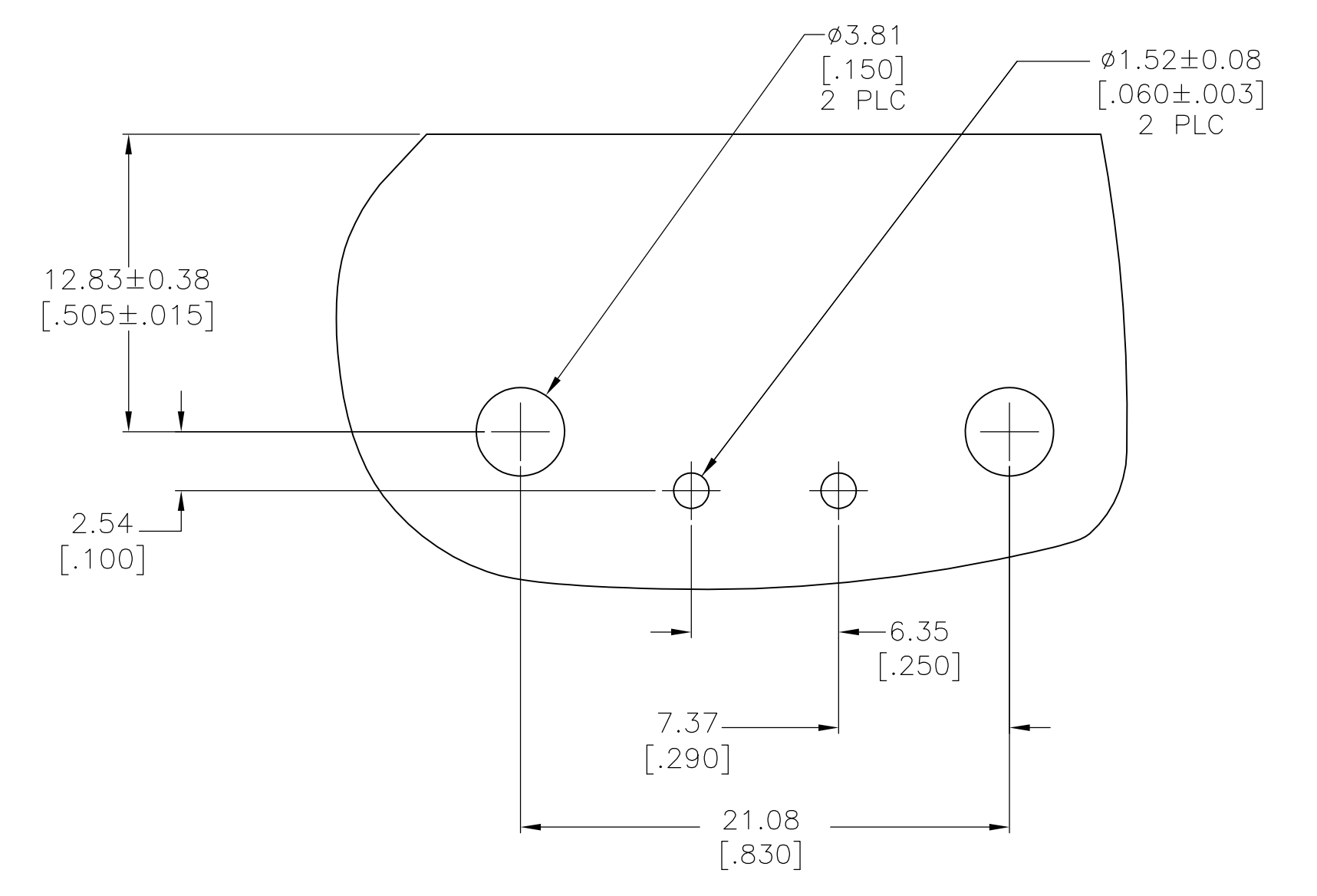
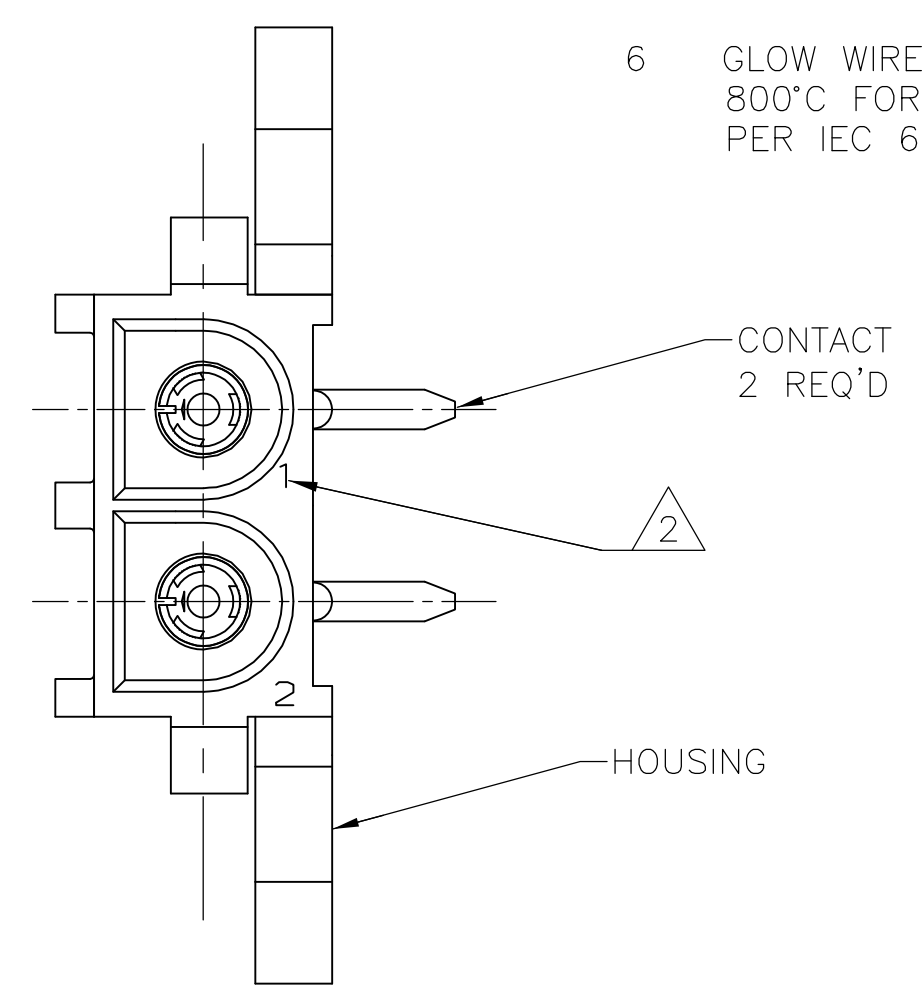
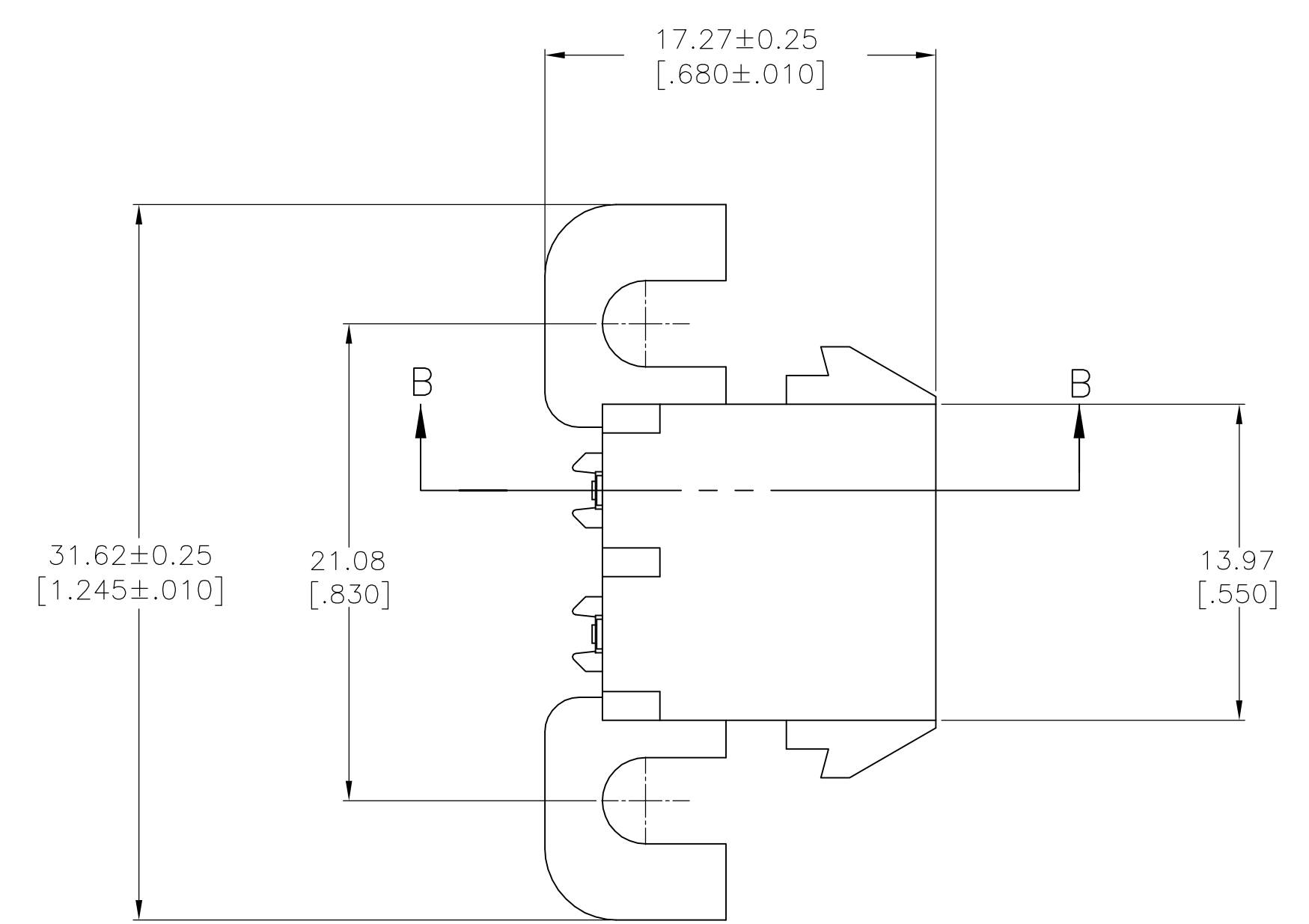
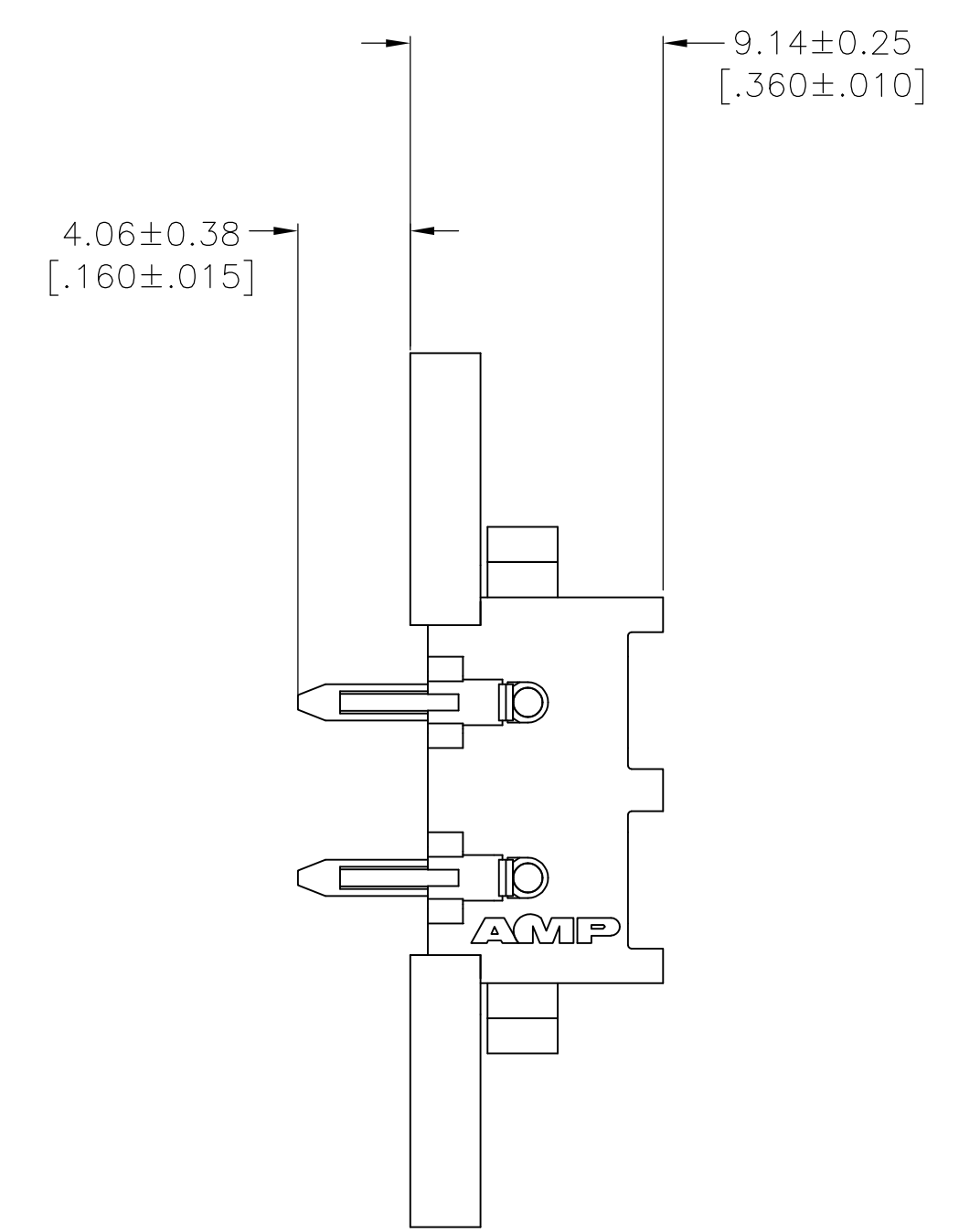
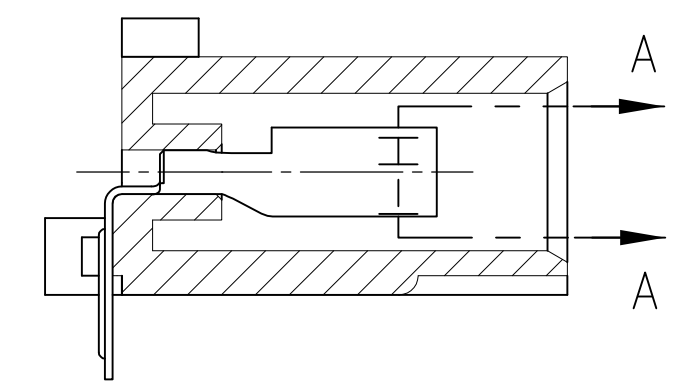


REVISIONS					
REV	DATE	DESCRIPTION	BY	CHK	APPV
A	10MAR2016	REVISED PER ECR-16-002640	BW	EW	

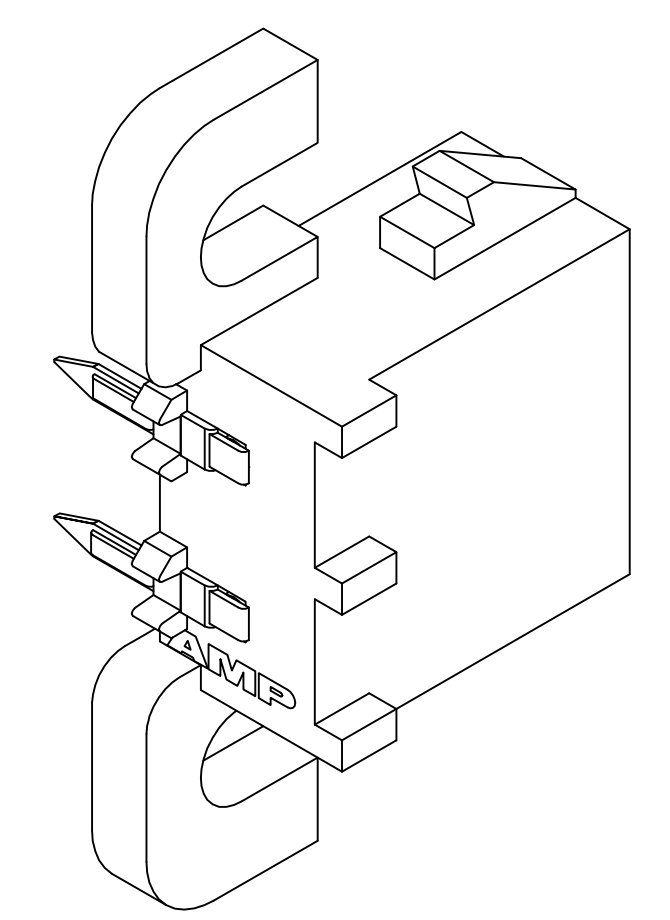
- PARTS COMPLY WITH AMP SOLDERABILITY SPECIFICATION 109-11-5.
- CIRCUIT IDENTIFICATION CHARACTERS ARE ADJACENT TO THE INDICATED CAVITIES, BUT LOCATION AND ORIENTATION MAY DIFFER FROM PRINT.
- DIMENSIONS IN BRACKETS ARE IN INCHES.
- FLAMMABILITY UL V-0 FOR THICKNESS 0.4, 0.45, 0.8, 1.6, AND 3.0 PER IEC 60695-11-10.
- GLOW WIRE FLAMMABILITY (GWF1): 960°C FOR THICKNESS 0.45, 0.8, 1.6, AND 3.0 PER IEC 60695-2-12.
- GLOW WIRE IGNITION (GWIT): 825°C FOR THICKNESS 0.45, 800°C FOR THICKNESS 0.8, 775°C FOR THICKNESS 1.6 AND 3.0 PER IEC 60695-2-13.



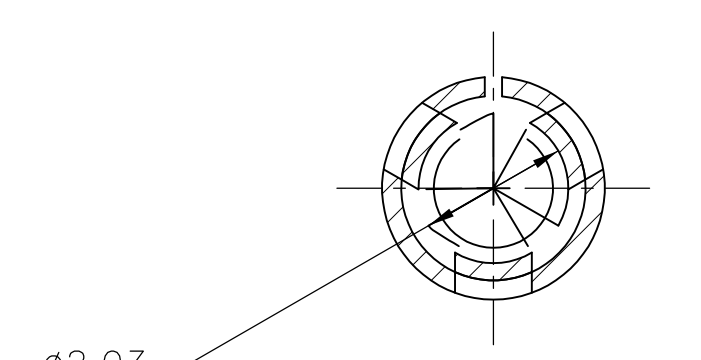
RECOMMENDED MOUNTING HOLE PATTERN FOR 1.57[.062] THICK P.C. BOARD



SECTION B-B



3-DIMENSIONAL MODEL NTS



SECTION A-A SCALE 10:1

PH BRZ TIN	NYLON UL V-0 GW	1969797-1
CONTACT	HOUSING	PART NO

THIS DRAWING IS A CONTROLLED DOCUMENT.		DIN 26DEC2015		EASVESH WARAD	
DIMENSIONS: mm [INCHES]		TOLERANCES UNLESS OTHERWISE SPECIFIED:		CHK WICKES, EVAN 26DEC2015	
0 PLC ± -		1 PLC ± -		APVD WICKES, EVAN 26DEC2015	
2 PLC ± -		3 PLC ± 0.13[.005]		NAME	
4 PLC ± -		ANGLES ± -		PRODUCT SPEC	
MATERIAL SEE TABLE		FINISH SEE TABLE		APPLICATION SPEC	
		WEIGHT		SIZE CASE CODE DRAWING NO	
		CUSTOMER DRAWING		A1 00779 1969797	
		SCALE 4:1		SHEET 1 OF 1 REV A	



SOCKET HEADER ASSEMBLY, RIGHT ANGLE MOUNT, 2 POSITION, UNIVERSAL MATE-N-LOK(TM)

单击下面可查看定价，库存，交付和生命周期等信息

[>>TE Connectivity\(泰科\)](#)