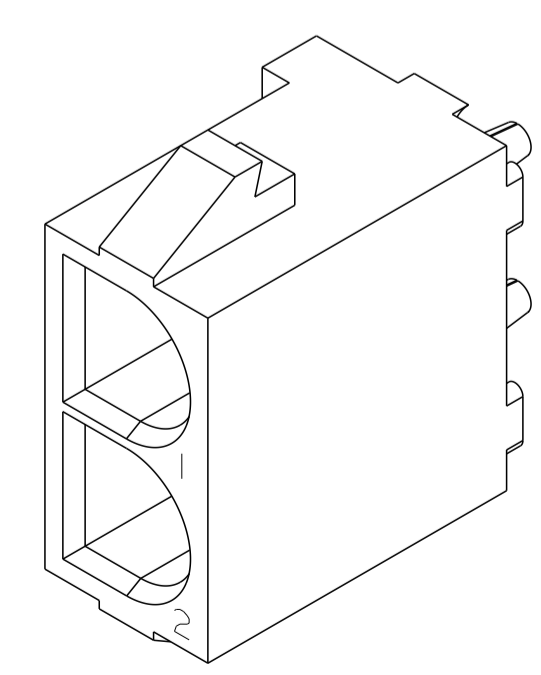
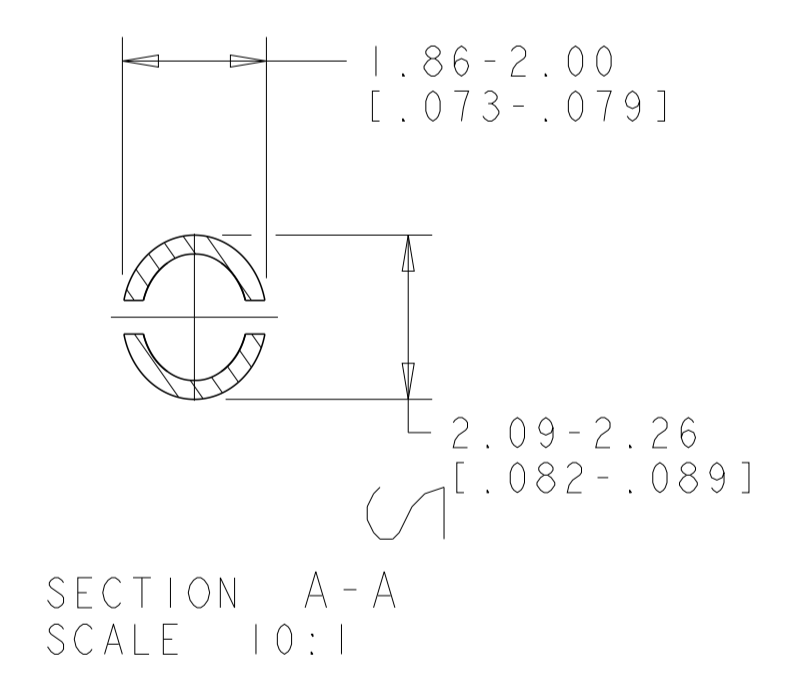
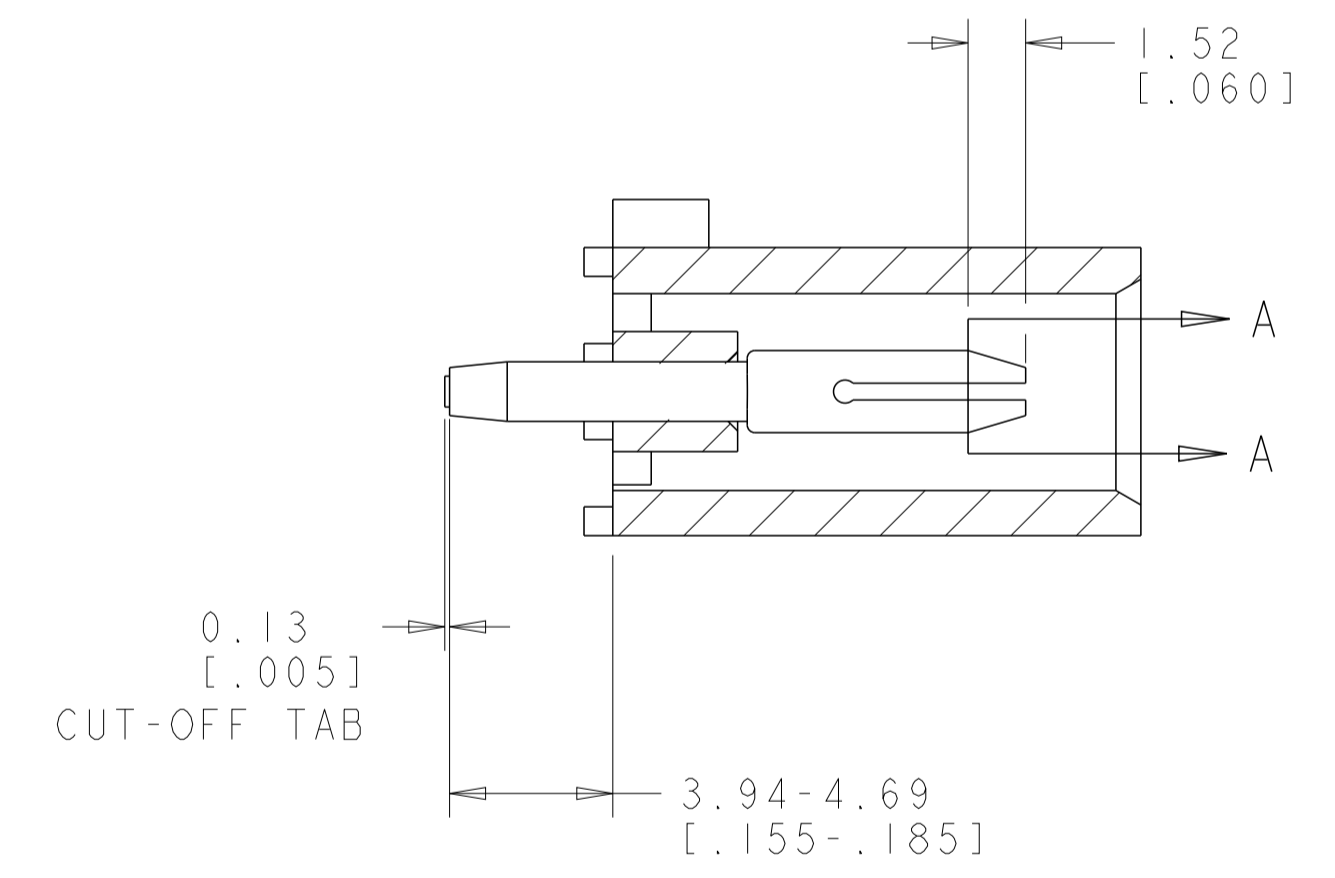
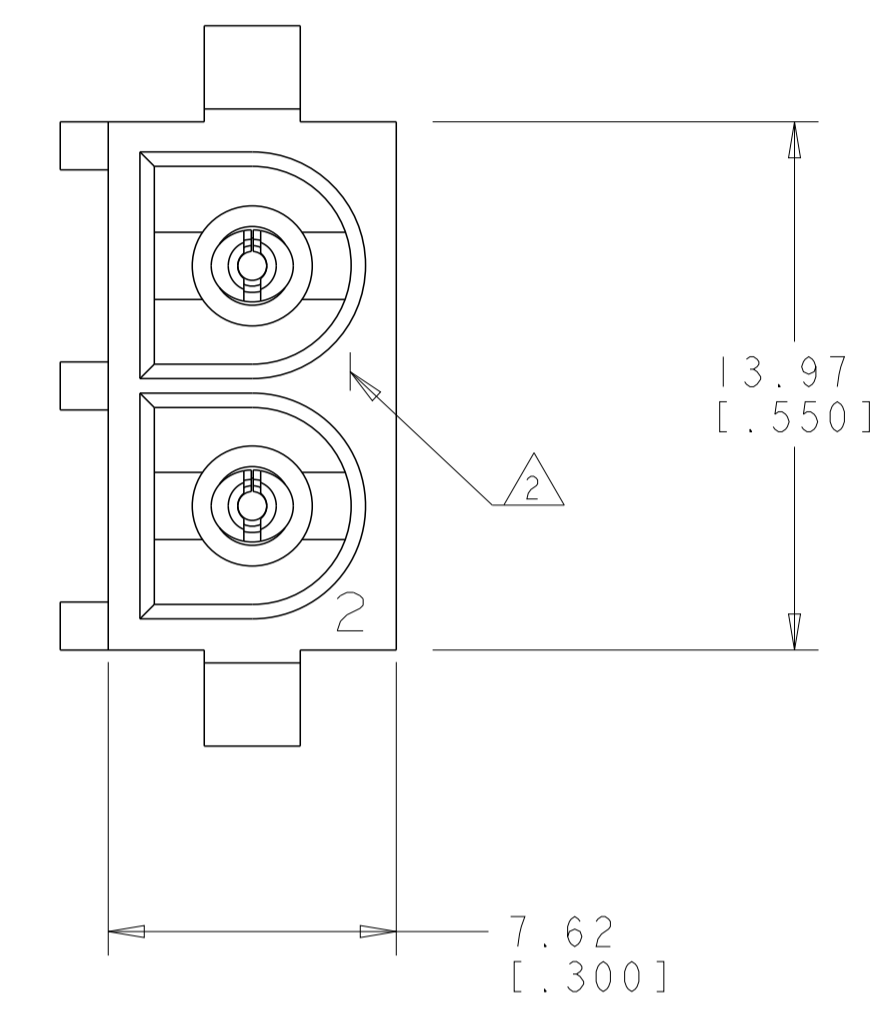
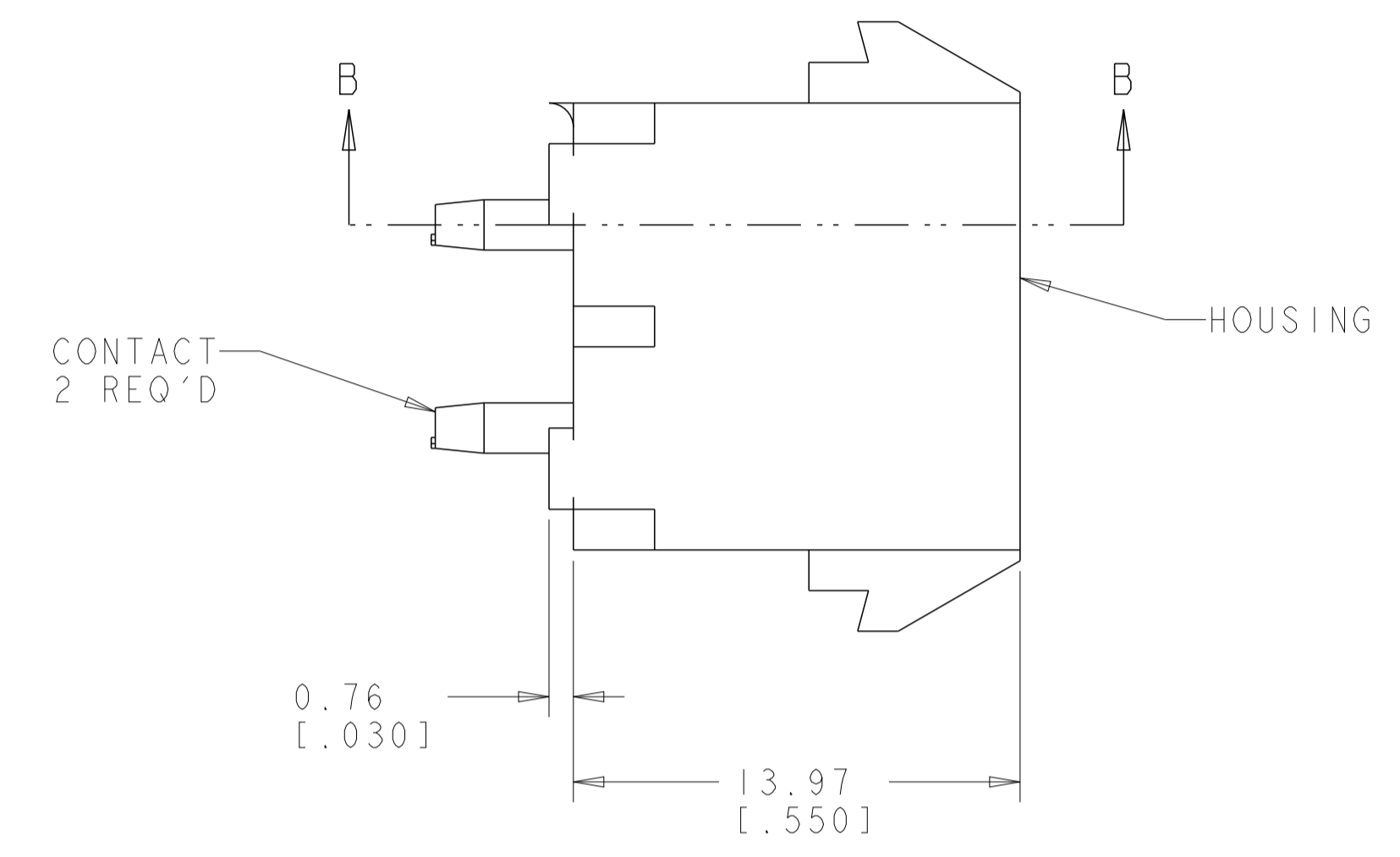
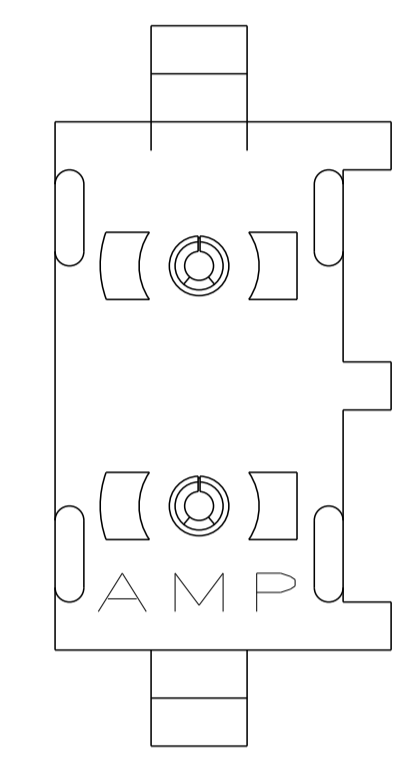
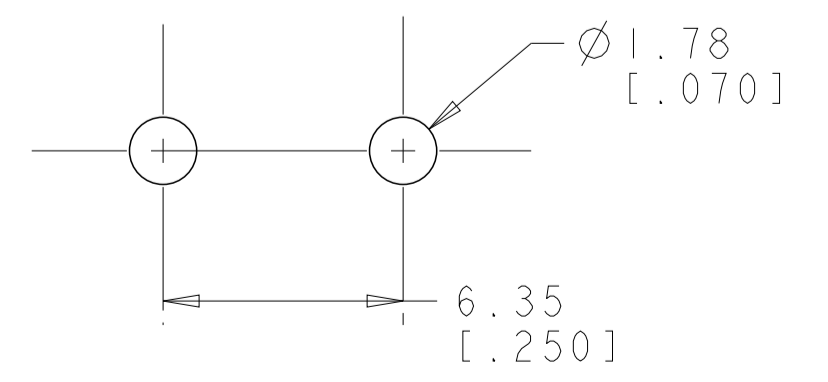


REVISIONS				
P	LTN	DESCRIPTION	DATE	APVD
A1		REVISED PER ECR-17-012945	21SEP2017	JB SD

- PARTS COMPLY TO AMP SOLDERABILITY SPECIFICATION 109-11-3.
- CIRCUIT IDENTIFICATION CHARACTERS ARE ADJACENT TO THE INDICATED CAVITIES, BUT LOCATION AND ORIENTATION MAY DIFFER FROM PRINT.
- DIMENSIONS IN BRACKETS ARE IN INCHES.
- FLAMMABILITY UL V-0 FOR THICKNESS 0.4, 0.45, 0.8, 1.6, AND 3.0 PER IEC 60695-11-10.
- GLOW WIRE FLAMMABILITY (GWF1): 960°C FOR THICKNESS 0.45, 0.8, 1.6, AND 3.0 PER IEC 60695-2-12.
- GLOW WIRE IGNITION (GWIT): 825°C FOR THICKNESS 0.45, 800°C FOR THICKNESS 0.8, 775°C FOR THICKNESS 1.6 AND 3.0 PER IEC 60695-2-13.



3 DIMENSIONAL VIEW  
SCALE 4:1



RECOMMENDED MOUNTING HOLE PATTERN  
FOR 1.57 [.062] THICK P.C. BOARD

PHOSPOR BRONZE, PRE-TIN PIN CONTACT MATERIAL AND FINISH		NYLON, UL V-0 GW, NATURAL HOUSING MATERIAL AND COLOR		1969798-1 PART NUMBER
THIS DRAWING IS A CONTROLLED DOCUMENT.		DWN 25DEC2015 BASVESH WARAD	APVD 25DEC2015 WICKES, EVAN	
DIMENSIONS: mm [ INCHES ]		TOLERANCES UNLESS OTHERWISE SPECIFIED:		NAME PIN HEADER ASSEMBLY, 2 CIRCUIT, UNIVERSAL MATE-N-LOK(TM)
		0 PLC ±	1 PLC ±	PRODUCT SPEC
		2 PLC ±0.13(.005)	3 PLC ±	APPLICATION SPEC
		4 PLC ±	ANGLES ±	RESTRICTED TO
MATERIAL SEE TABLE		FINISH SEE TABLE		SIZE CAGE CODE DRAWING NO A1 00779 C=1969798
		WEIGHT		SCALE 5:1 SHEET 1 OF 1 REV A1
		CUSTOMER DRAWING		

单击下面可查看定价，库存，交付和生命周期等信息

[>>TE Connectivity\(泰科\)](#)