
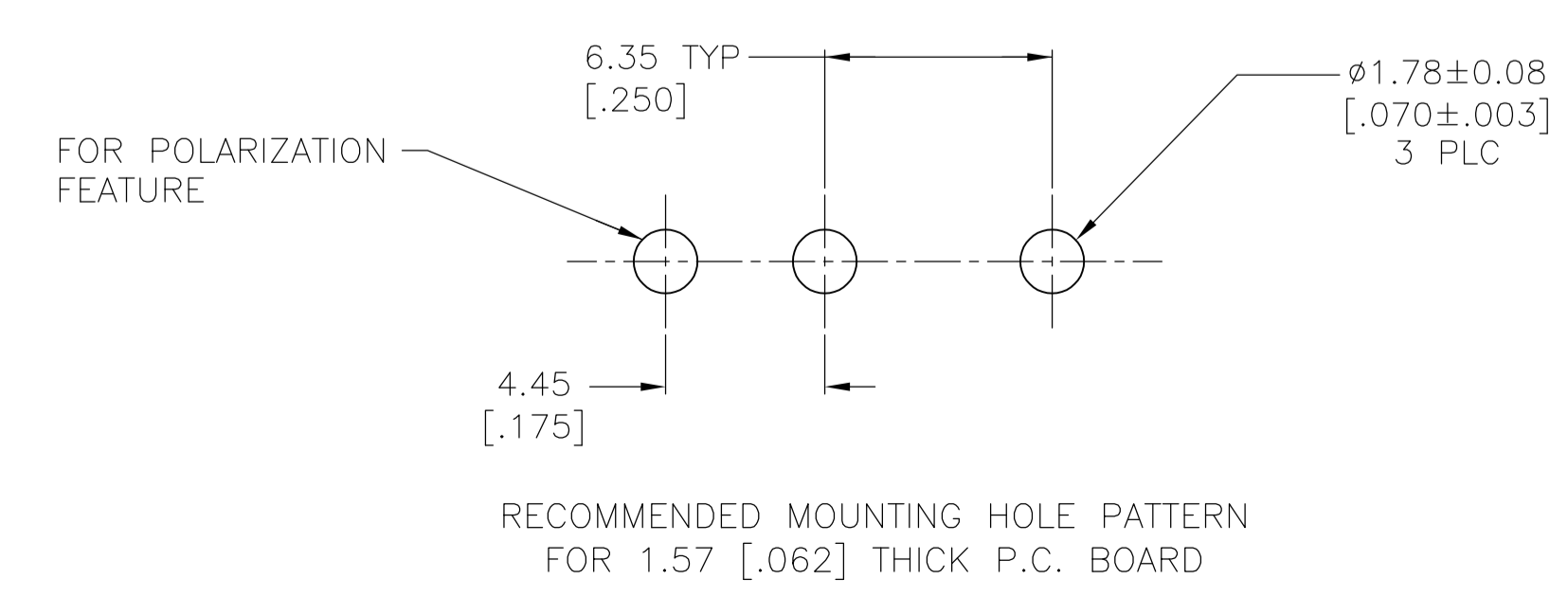
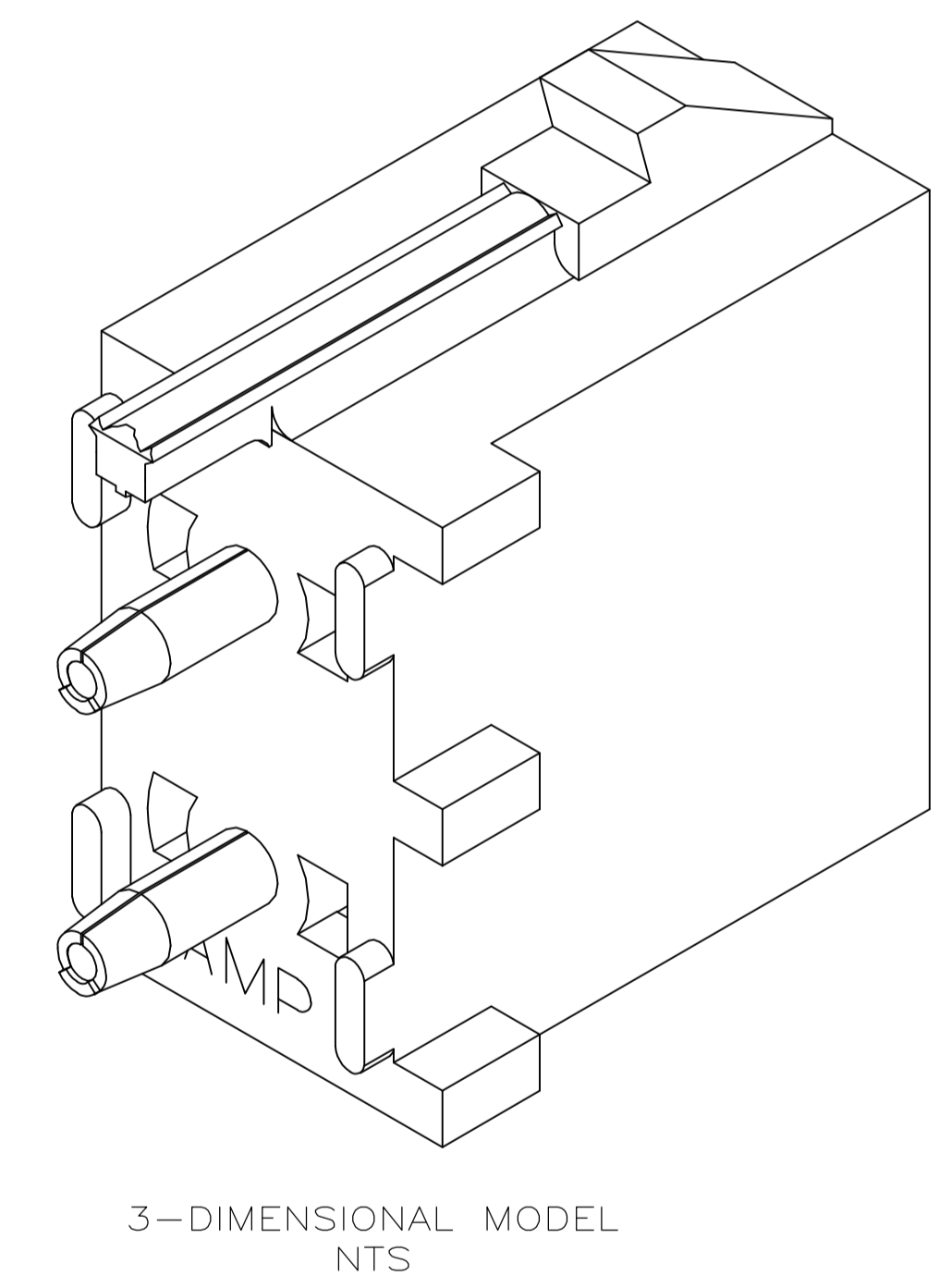
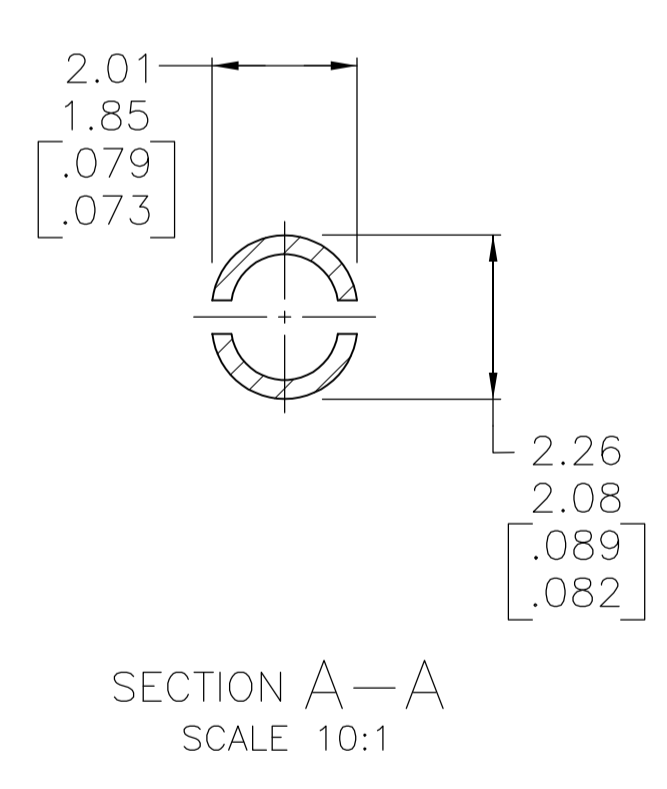
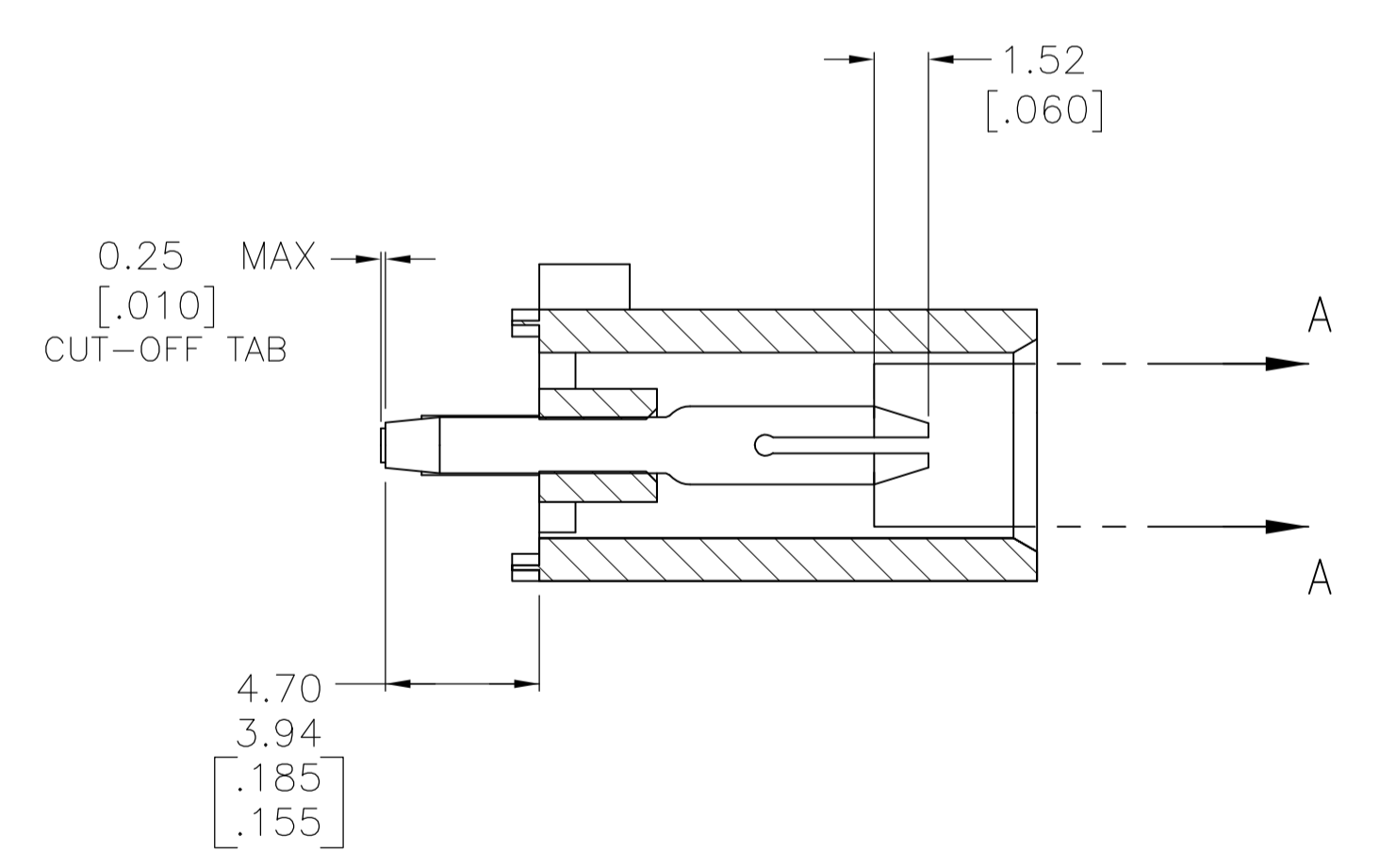
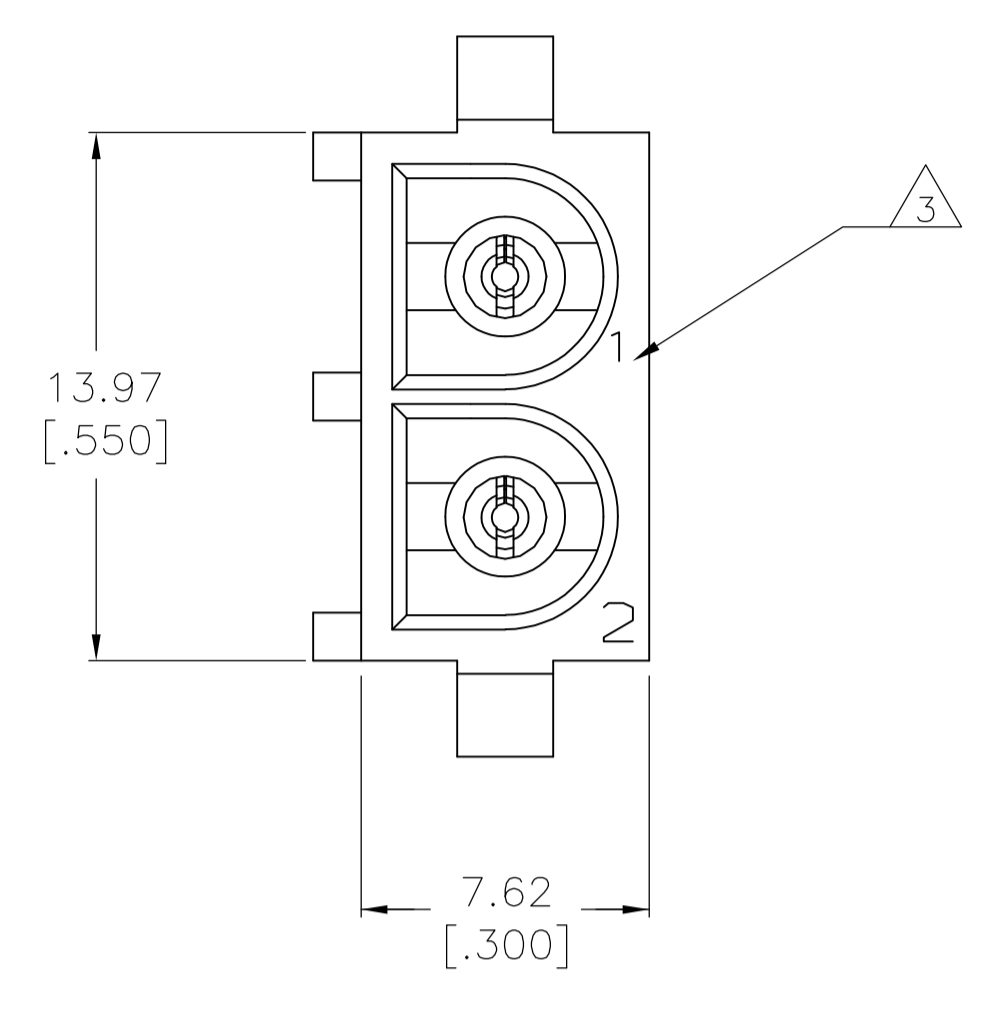
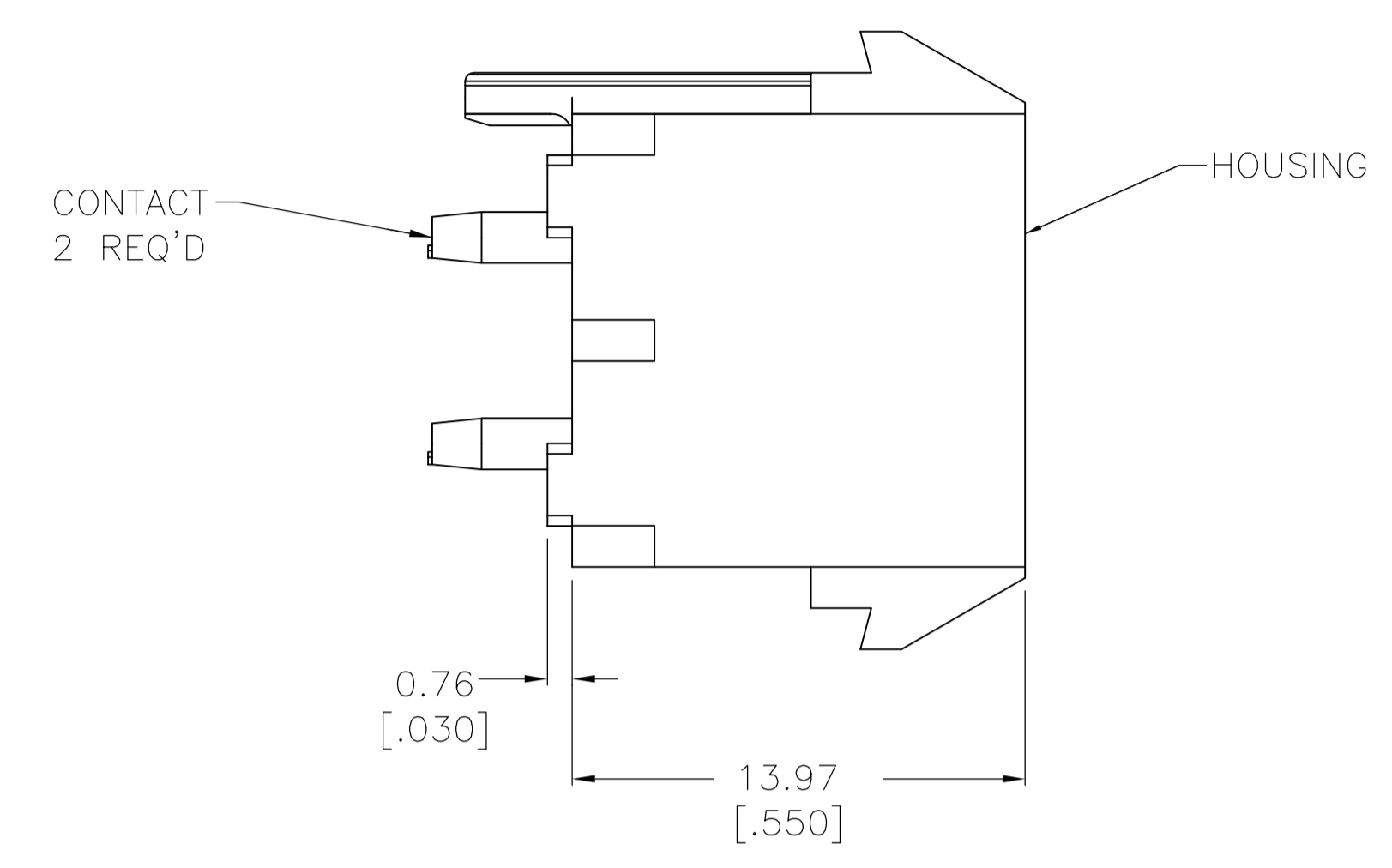
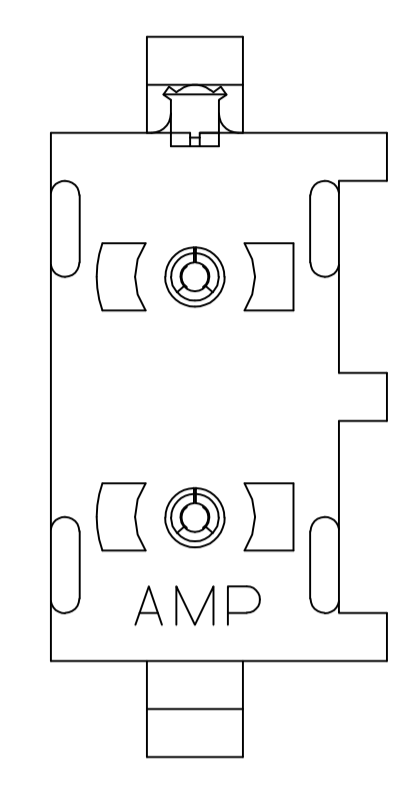



| LOC | DIST | REVISIONS | | | |
|-----|------|---------------------------|-----------|-----|------|
| P | LTR | DESCRIPTION | DATE | DNW | APVD |
| A | | REVISED PER ECR-16-002640 | 10MAR2016 | BW | EW |

- 1 PARTS COMPLY TO AMP SOLDERABILITY SPECIFICATION 109-11-3.
- 2 DIMENSIONS IN BRACKETS ARE IN INCHES.
- 3  CIRCUIT IDENTIFICATION CHARACTERS ARE ADJACENT TO THE INDICATED CAVITIES, BUT LOCATION AND ORIENTATION MAY DIFFER FROM PRINT.
- 4 FLAMMABILITY UL V-0 FOR THICKNESS 0.4, 0.45, 0.8, 1.6, AND 3.0 PER IEC 60695-11-10.
- 5 GLOW WIRE FLAMMABILITY (GWF): 960°C FOR THICKNESS 0.45, 0.8, 1.6, AND 3.0 PER IEC 60695-2-12.
- 6 GLOW WIRE IGNITION (GWI): 825°C FOR THICKNESS 0.45, 800°C FOR THICKNESS 0.8, 775°C FOR THICKNESS 1.6 AND 3.0 PER IEC 60695-2-13.



| | | | |
|--|--|---|-----------|
| PHOSPHOR BRONZE, PRE-TIN | | NYLON, UL V-0 GW, NATURAL | 1969799-1 |
| PIN CONTACT MATERIAL AND FINISH | | HOUSING MATERIAL | PART NO |
| THIS DRAWING IS A CONTROLLED DOCUMENT. | |  TE Connectivity | |
| DIMENSIONS: mm [INCHES] TOLERANCES UNLESS OTHERWISE SPECIFIED: 0 PLC ± - 1 PLC ± - 2 PLC ± 0.13 [.005] 3 PLC ± - 4 PLC ± - ANGLES ± 0°30' | | NAME: PIN HEADER ASSEMBLY, POLARIZED, 2 CIRCUIT UNIVERSAL MATE-N-LOK(TM) APPLICATION SPEC: - PRODUCT SPEC: - SIZE: A1 CAGE CODE: 1969799 DRAWING NO: 00779 | |
| MATERIAL: SEE TABLE | | WEIGHT: - CUSTOMER DRAWING: - SCALE: 5:1 SHEET: 1 OF 1 REV: A | |

单击下面可查看定价，库存，交付和生命周期等信息

[>>TE Connectivity\(泰科\)](#)