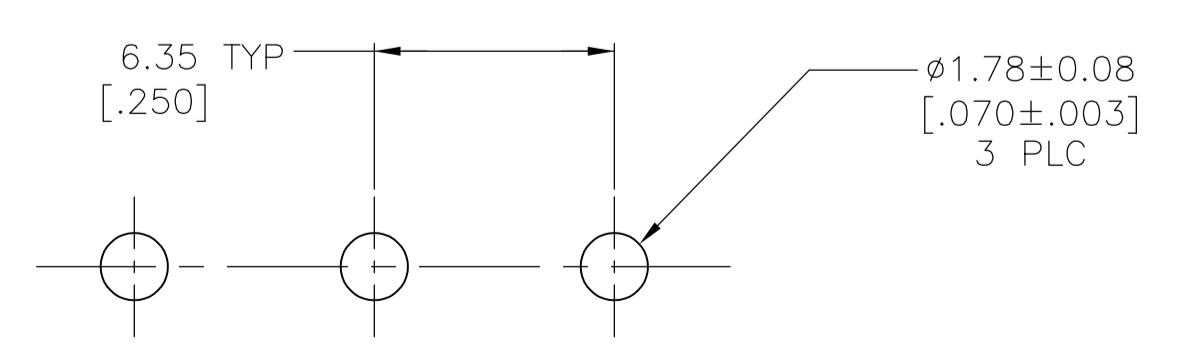
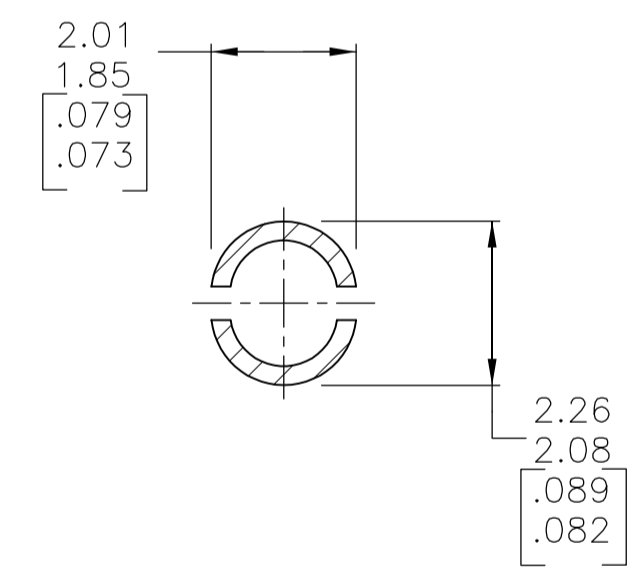
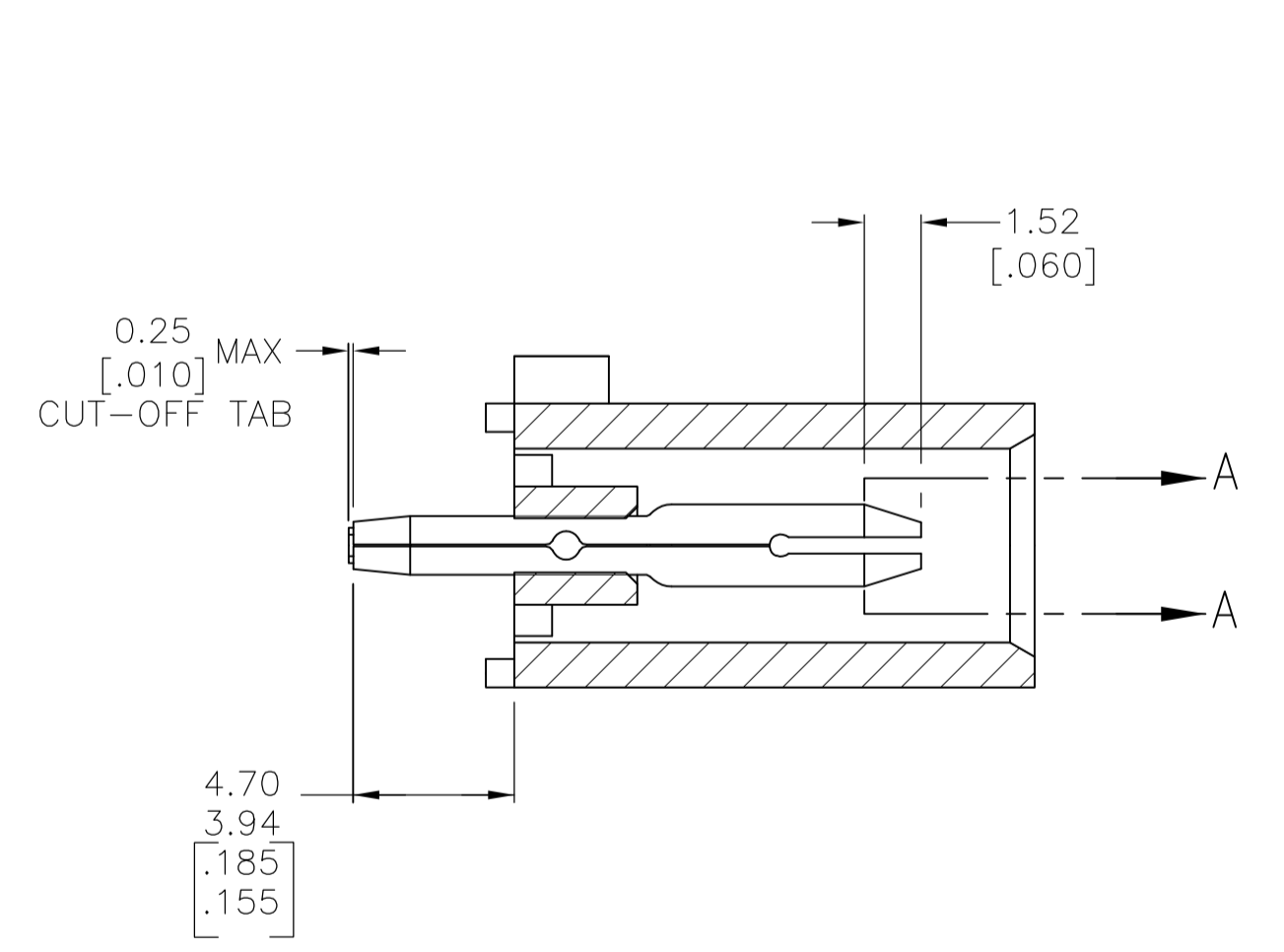
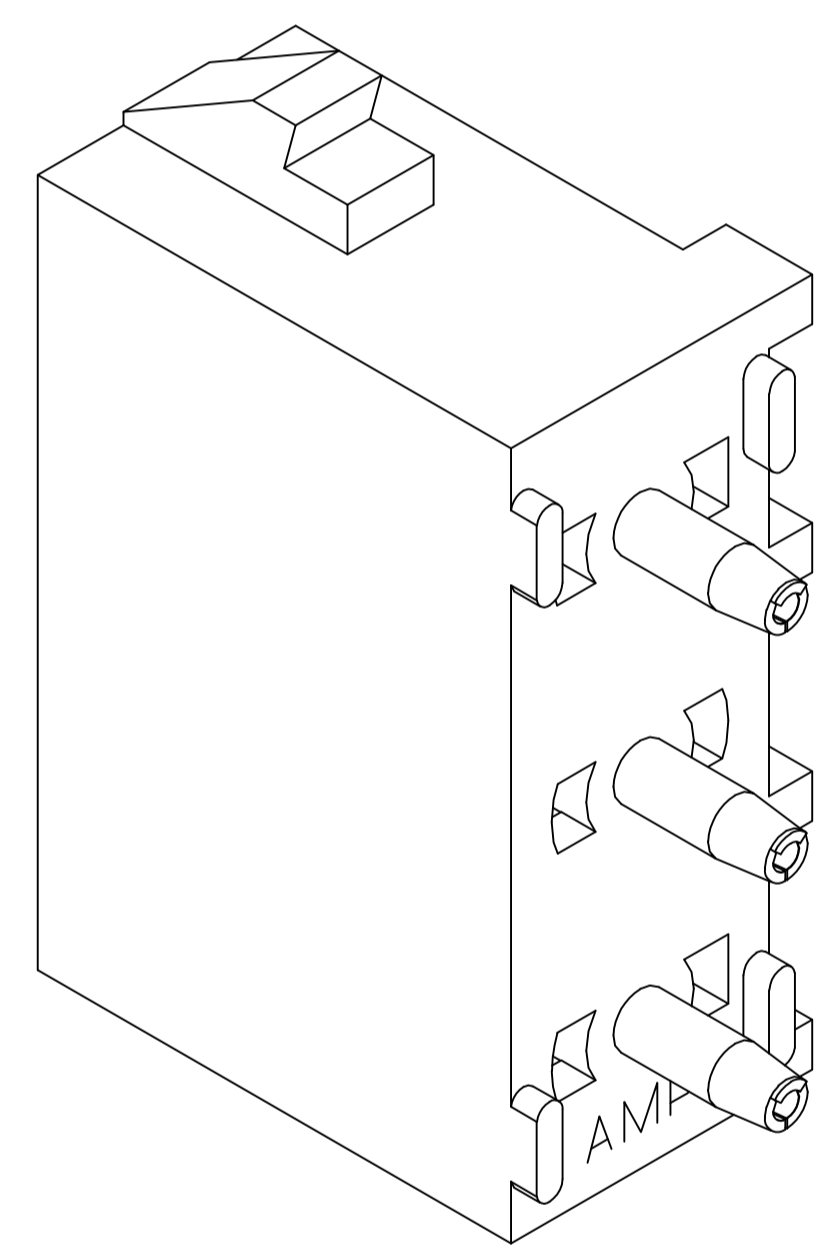
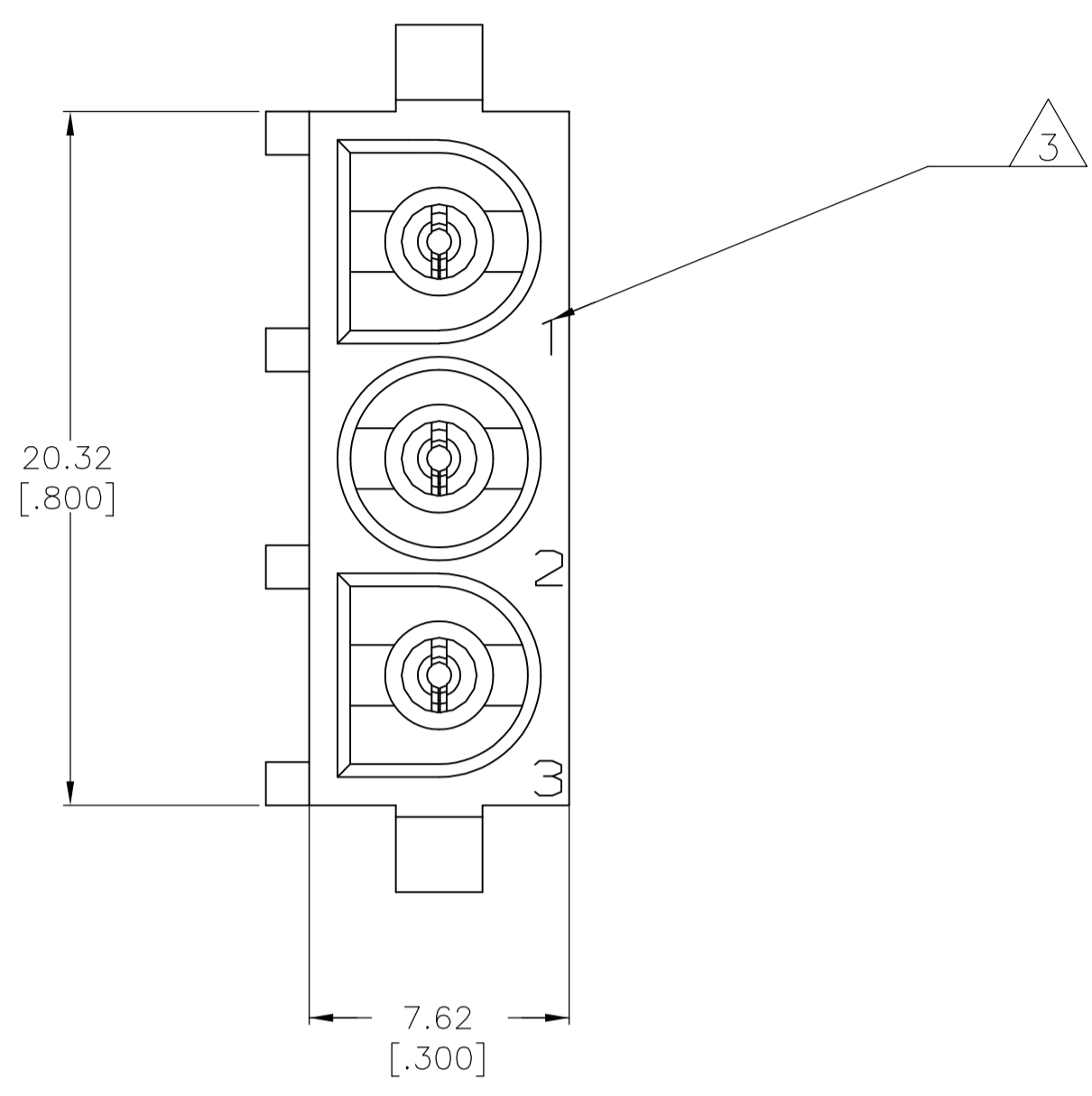
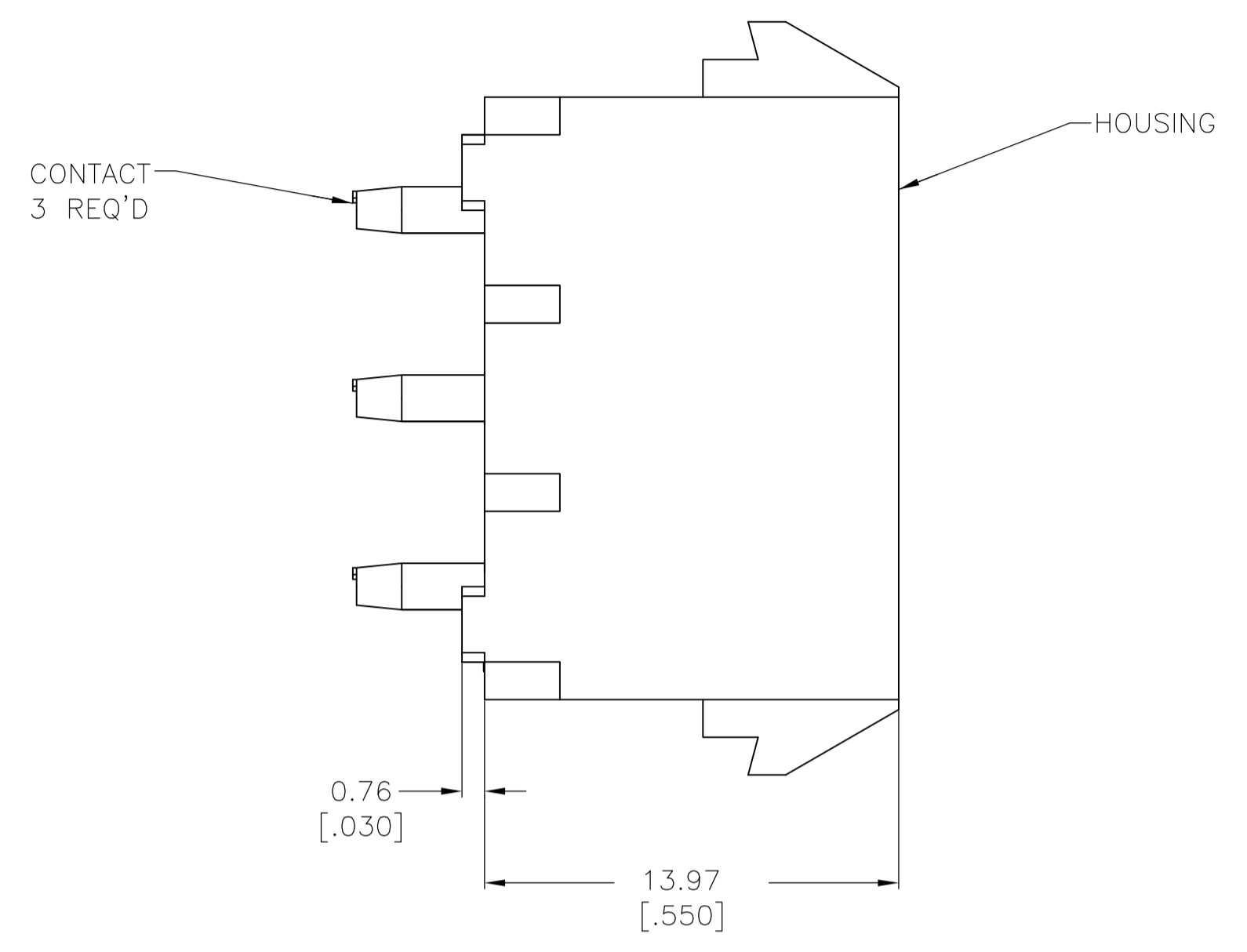
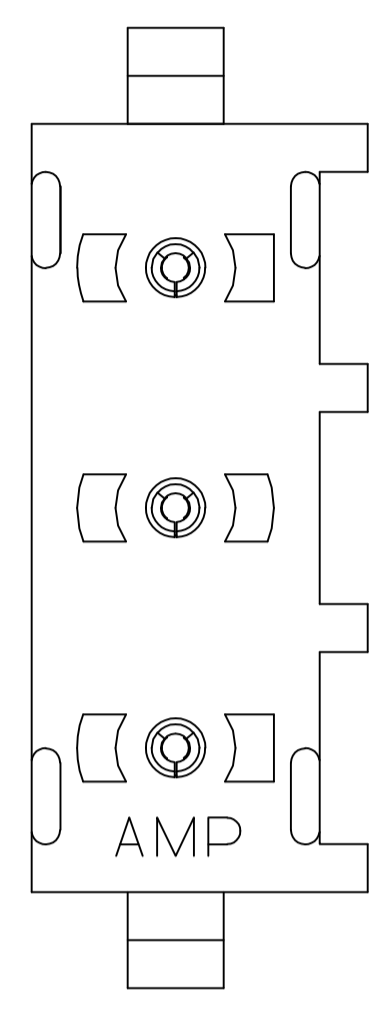


REVISIONS					
REV	DATE	DESCRIPTION	BY	CHK	APP'D
A	10MAR2016	REVISED PER ECR-16-002640	BW	EW	

- PARTS COMPLY TO AMP SOLDERABILITY SPECIFICATION 109-11-3.
- DIMENSIONS IN BRACKETS ARE IN INCHES.
- CIRCUIT IDENTIFICATION CHARACTERS ARE ADJACENT TO THE INDICATED CAVITIES, BUT LOCATION AND ORIENTATION MAY DIFFER FROM PRINT.
- FLAMMABILITY UL V-0 FOR THICKNESS 0.4, 0.45, 0.8, 1.6, AND 3.0 PER IEC 60695-11-10.
- GLOW WIRE FLAMMABILITY (GWFI): 960°C FOR THICKNESS 0.45, 0.8, 1.6, AND 3.0 PER IEC 60695-2-12.
- GLOW WIRE IGNITION (GWIT): 825°C FOR THICKNESS 0.45, 800°C FOR THICKNESS 0.8, 775°C FOR THICKNESS 1.6 AND 3.0 PER IEC 60695-2-13.



RECOMMENDED MOUNTING HOLE PATTERN FOR 1.57 [0.062] THICK P.C. BOARD

PHOSPHOR BRONZE, PRE-TIN		NYLON, UL V-0 GW, NATURAL	1969803-1
PIN CONTACT MATERIAL AND FINISH		HOUSING MATERIAL	PART NO
THIS DRAWING IS A CONTROLLED DOCUMENT.		TE Connectivity	
DIMENSIONS: mm [INCHES] TOLERANCES UNLESS OTHERWISE SPECIFIED: 0 PLC ± - 1 PLC ± - 2 PLC ± 0.13 [0.005] 3 PLC ± - 4 PLC ± - ANGLES ± 0°30'		NAME: PIN HEADER ASSEMBLY, 3 CIRCUIT UNIVERSAL MATE-N-LOK(TM) APPLICATION SPEC: - SIZE: A1 CAGE CODE: 00779 DRAWING NO: 1969803	
MATERIAL: SEE TABLE		WEIGHT: - CUSTOMER DRAWING: - SCALE: 5:1 SHEET: 1 OF 1 REV: A	

单击下面可查看定价，库存，交付和生命周期等信息

[>>TE Connectivity\(泰科\)](#)