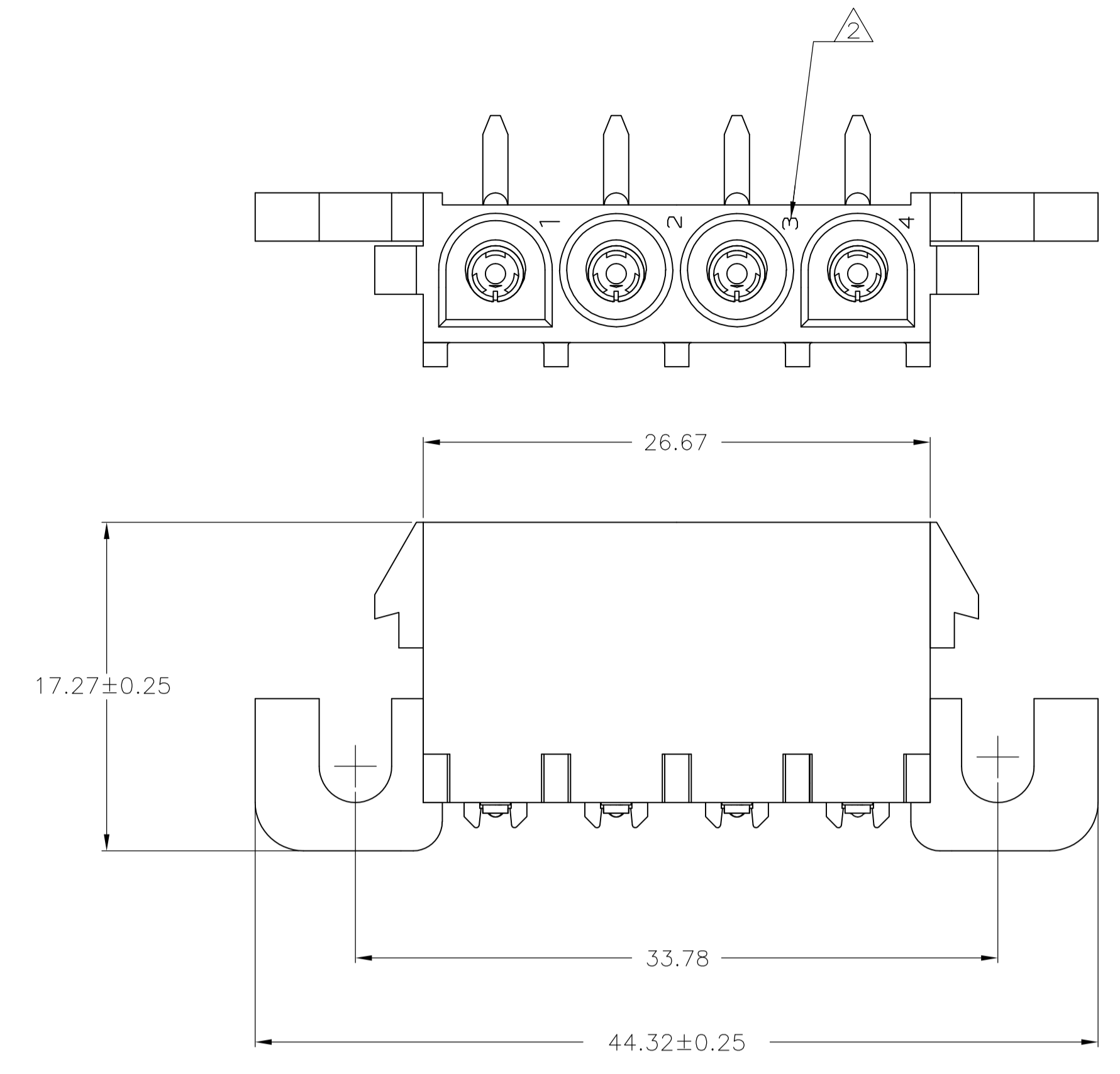
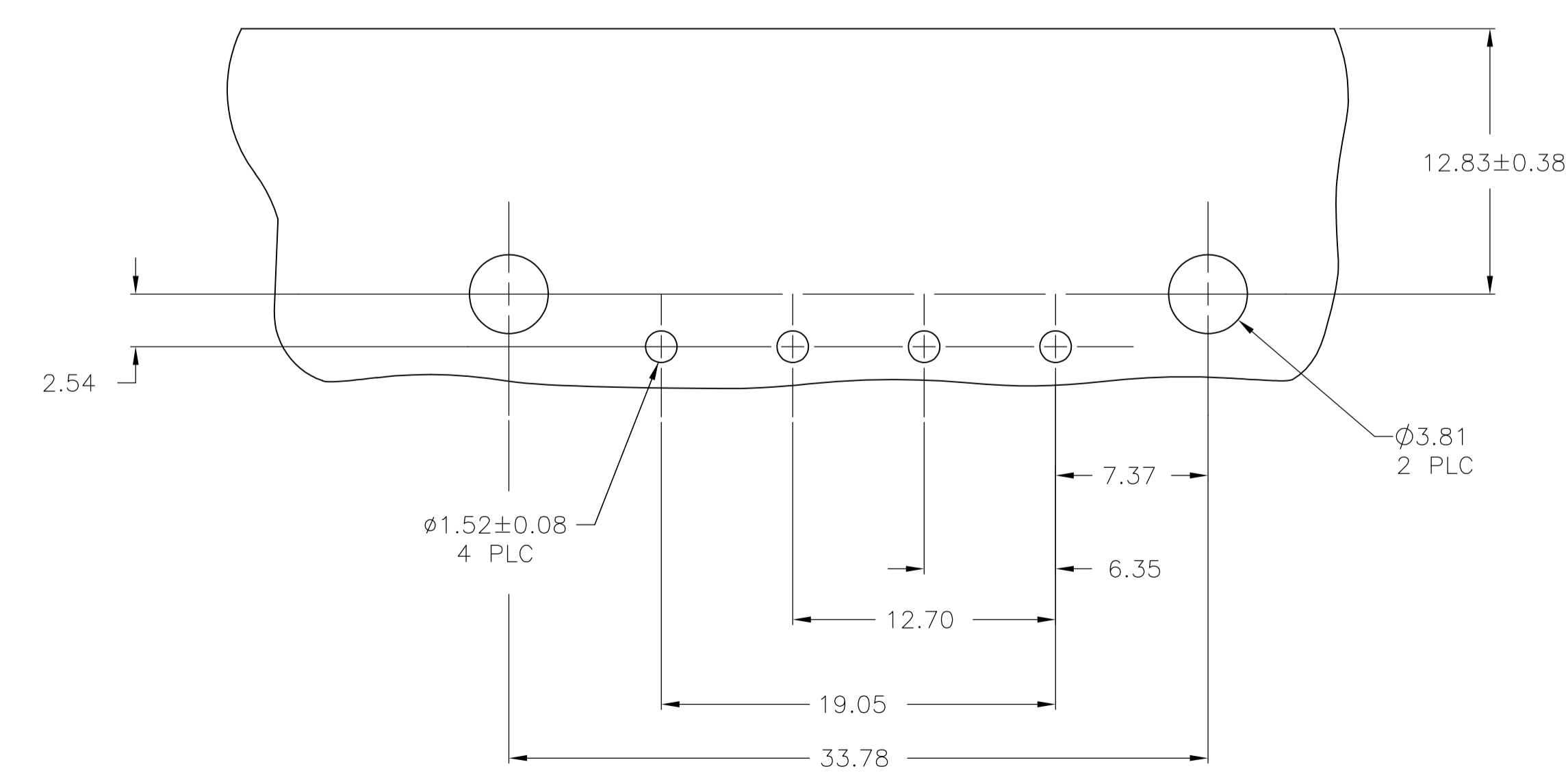
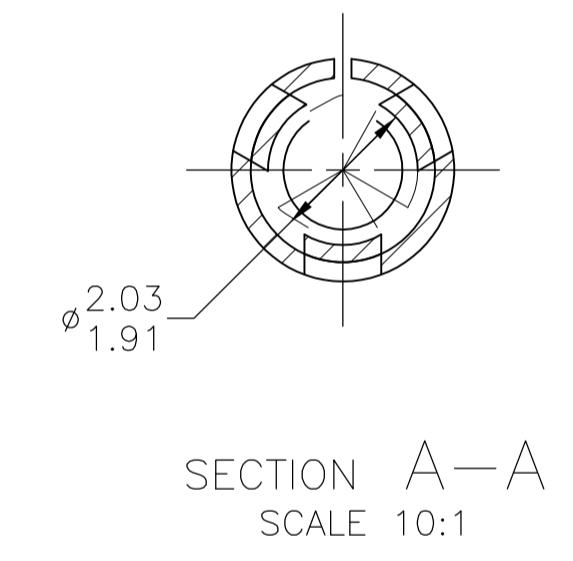
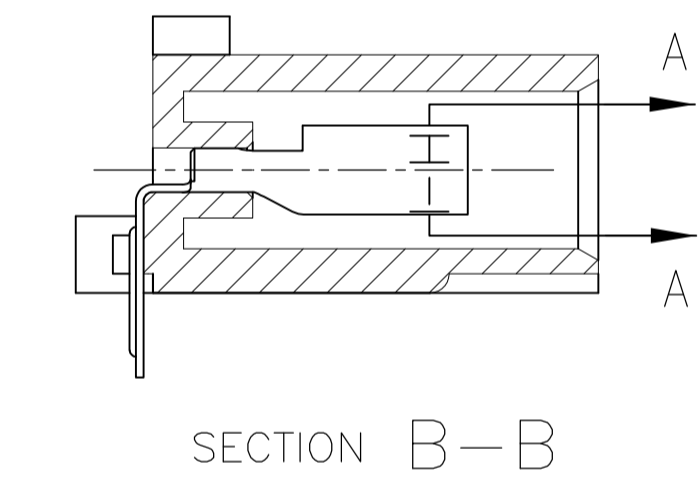
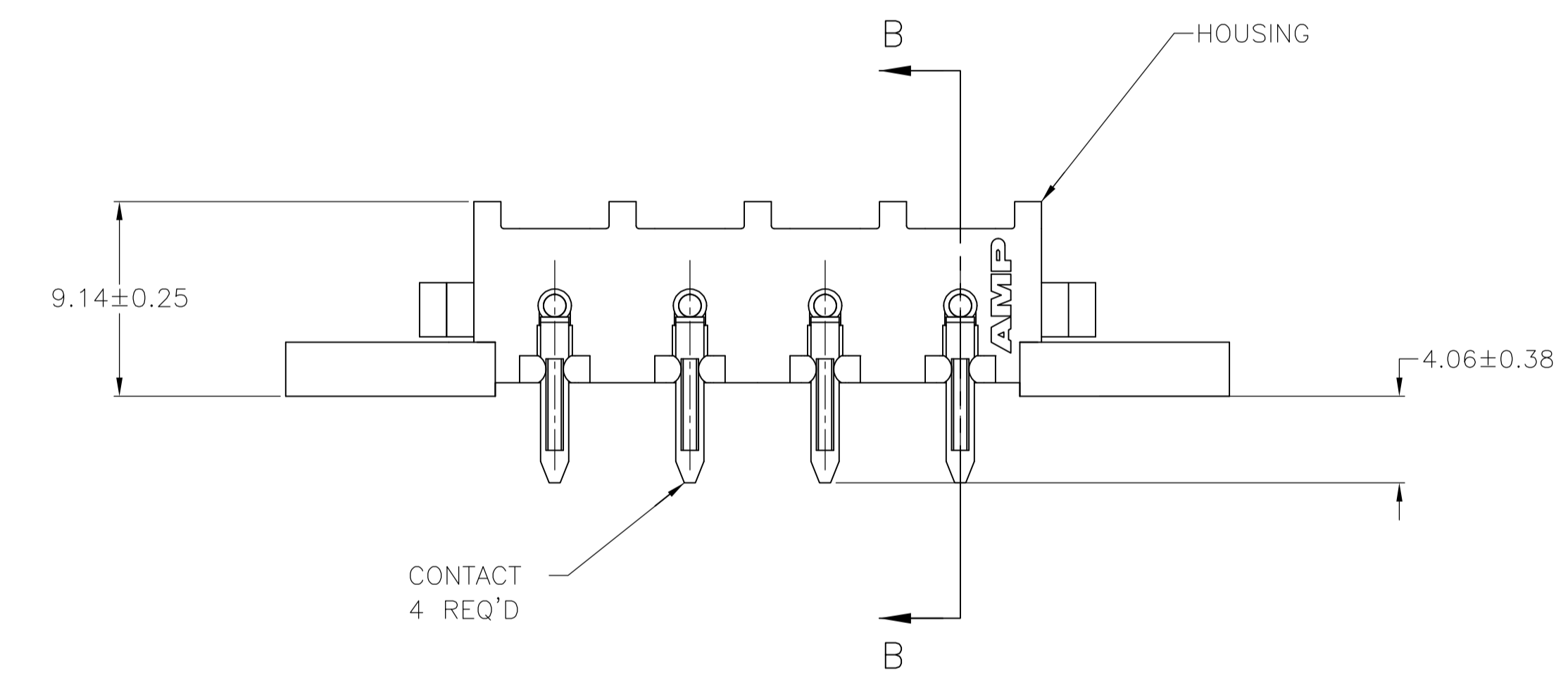


LOC		DIST		REVISIONS			
P	LTR	DESCRIPTION	DATE	DWN	APVD		
A		REVISED PER ECR-16-002640	10MAR2016	BW	EW		



- 1 PARTS COMPLY WITH TE SOLDERABILITY SPECIFICATION 109-11-5.
- 2 CIRCUIT IDENTIFICATION CHARACTERS ARE ADJACENT TO THE INDICATED CAVITIES, BUT LOCATION AND ORIENTATION MAY BE DIFFER FROM PRINT.
- 3 FLAMMABILITY UL V-0 FOR THICKNESS 0.4, 0.45, 0.8, 1.6, AND 3.0 PER IEC 60695-11-10.
- 4 GLOW WIRE FLAMMABILITY (GWFI): 960°C FOR THICKNESS 0.45, 0.8, 1.6, AND 3.0 PER IEC 60695-2-12.
- 5 GLOW WIRE IGNITION (GWIT): 825°C FOR THICKNESS 0.45, 800°C FOR THICKNESS 0.8, 775°C FOR THICKNESS 1.6 AND 3.0 PER IEC 60695-2-13.



RECOMMENDED MOUNTING HOLE PATTERN FOR 1.57 THICK P.C. BOARD

MM	IN	MM	IN
3.81	.150		
2.54	.100		
2.03	.080	44.32	1.745
1.91	.075	33.78	1.330
1.57	.062	26.67	1.050
1.52	.060	19.05	.750
1.27	.050	17.27	.680
0.38	.015	12.83	.505
0.25	.010	12.70	.500
0.13	.005	9.14	.360
0.08	.003	7.37	.290
.00127	.000050	6.35	.250
.00076	.000030	4.06	.160
MM	IN	MM	IN

CONVERSION TABLE

PH BRZ,TIN		NYLON, UL V-0 GW	1969806-1
CONTACT		HOUSING	PART NUMBER
THIS DRAWING IS A CONTROLLED DOCUMENT. DIMENSIONS: mm TOLERANCES UNLESS OTHERWISE SPECIFIED: 0 PLC ± - 1 PLC ± - 2 PLC ± 0.13 3 PLC ± - 4 PLC ± - ANGLES ± -		DIN 01JAN2016 BASVESH WARAD CHK 01JAN2016 WICKES EVAN APVD 01JAN2016 WICKES EVAN PRODUCT SPEC APPLICATION SPEC NAME SOCKET HEADER ASSEMBLY, RIGHT ANGLE MOUNT, 4 POSITION, UNIVERSAL MATE-N-LOK(TM) SIZE A1 CASE CODE 00779 DRAWING NO. 1969806 WEIGHT - RESTRICTED TO - CUSTOMER DRAWING	
SCALE 4:1		SHEET 1 OF 1	REV A

单击下面可查看定价，库存，交付和生命周期等信息

[>>TE Connectivity\(泰科\)](#)