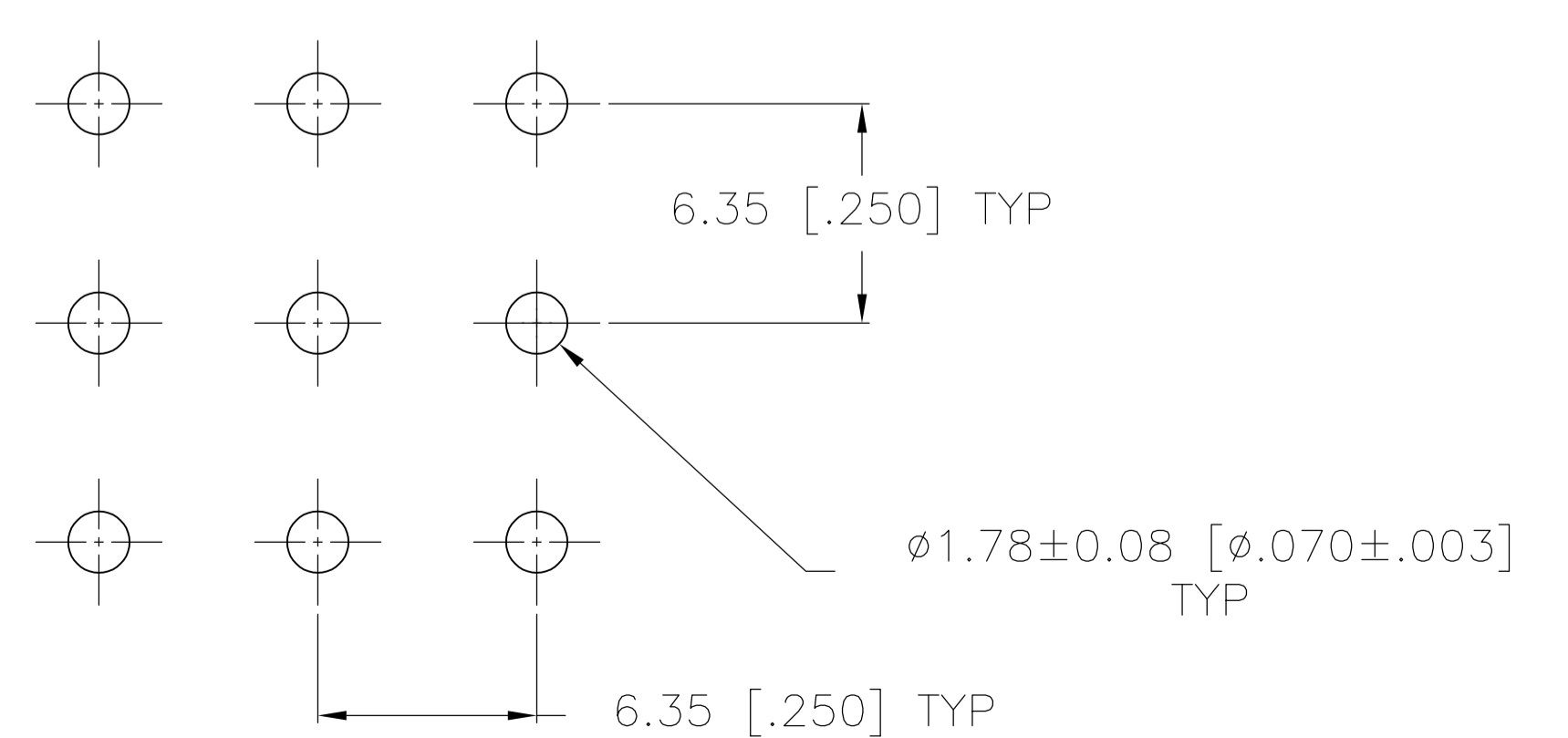
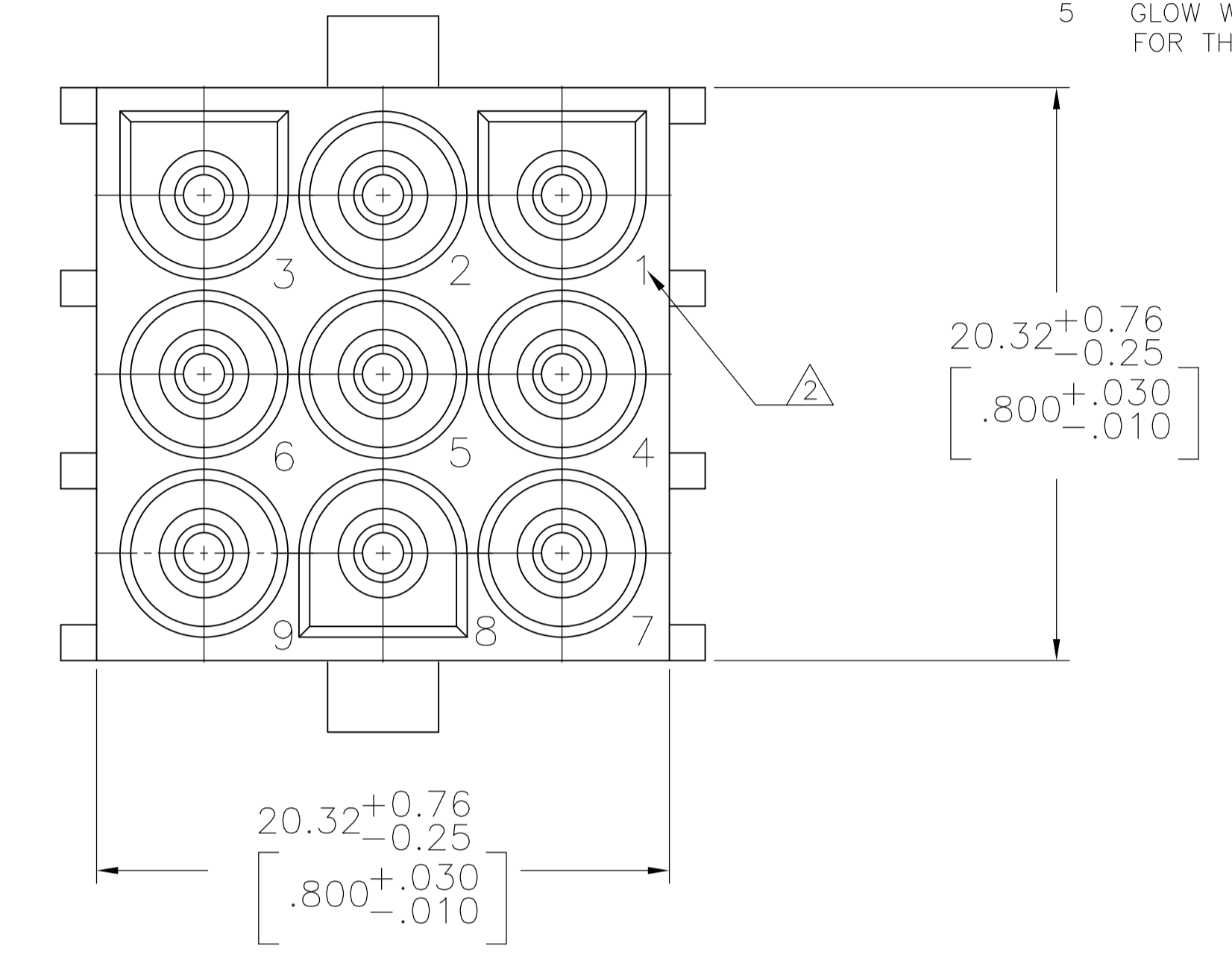
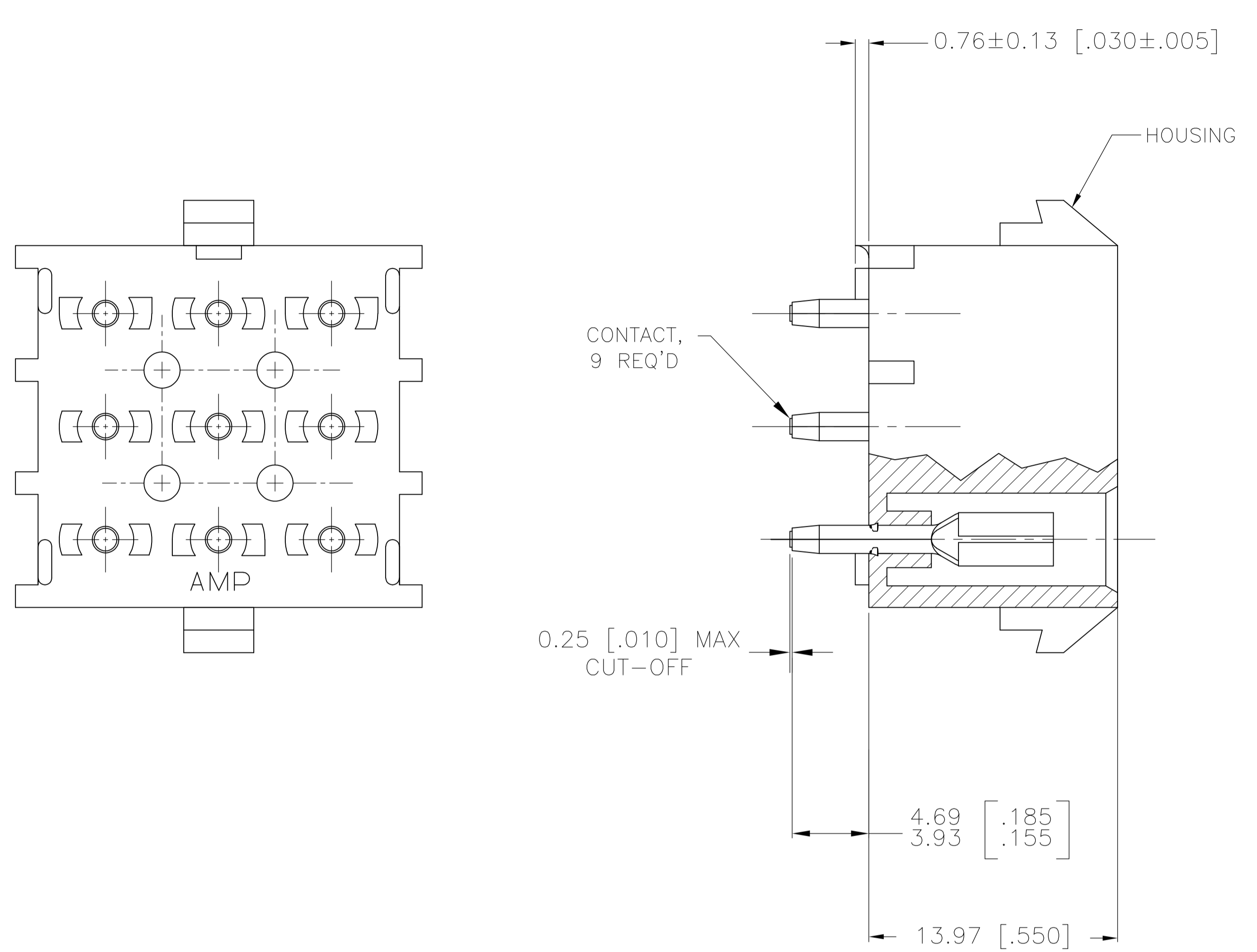


LOC		DIST		REVISIONS			
CM	00	P	LTR	DESCRIPTION	DATE	DWN	APVD
		A		REVISED PER ECR-16-002640	10MAR2016	BW	EW

- PARTS MUST COMPLY WITH AMP SOLDERABILITY SPEC 109-11-3.
- CIRCUIT IDENTIFICATION CHARACTERS ARE ADJACENT TO THE INDICATED CAVITIES, BUT LOCATION AND ORIENTATION MAY DIFFER FROM PRINT.
- FLAMMABILITY UL V-0 FOR THICKNESS 0.4, 0.45, 0.8, 1.6, AND 3.0 PER IEC 60695-11-10.
- GLOW WIRE FLAMMABILITY (GWFI): 960°C FOR THICKNESS 0.45, 0.8, 1.6, AND 3.0 PER IEC 60695-2-12.
- GLOW WIRE IGNITION (GWIT): 825°C FOR THICKNESS 0.45, 800°C FOR THICKNESS 0.8, 775°C FOR THICKNESS 1.6 AND 3.0 PER IEC 60695-2-13.



RECOMMENDED LAYOUT FOR 1.58 [.062] THICK PC BOARD

PH BRZ TIN	NYLON, UL V-0 GW, NATURAL	1969817-1
CONTACT	HOUSING	PART NO

THIS DRAWING IS A CONTROLLED DOCUMENT.

DIMENSIONS: mm [INCHES]	TOLERANCES UNLESS OTHERWISE SPECIFIED:	DWN BASVESH WARAD 26DEC2015	CHK WICKES, EVAN 26DEC2015	APVD WICKES, EVAN 26DEC2015	NAME 9 CIRCUIT UNIVERSAL MATE-N-LOK (TM) P.C. BOARD SOCKET HEADER ASSEMBLY
	0 PLC ± - 1 PLC ± - 2 PLC ± - 3 PLC ± 0.13 [.005] 4 PLC ± - ANGLES ± -	APPLICATION SPEC	SIZE A1	CAGE CODE 00779	DRAWING NO 1969817
MATERIAL SEE TABLE	FINISH SEE TABLE	WEIGHT	CUSTOMER DRAWING	SCALE 5:1	SHEET 1 OF 1

STE TE Connectivity

单击下面可查看定价，库存，交付和生命周期等信息

[>>TE Connectivity\(泰科\)](#)