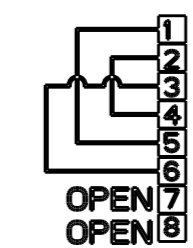
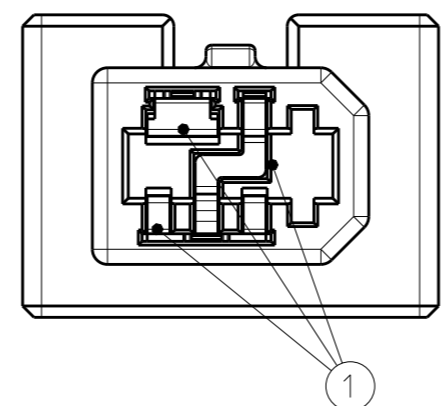
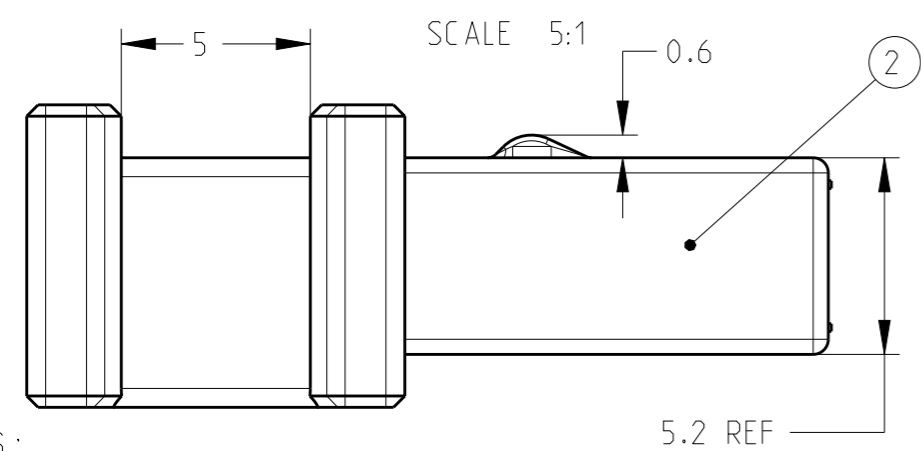
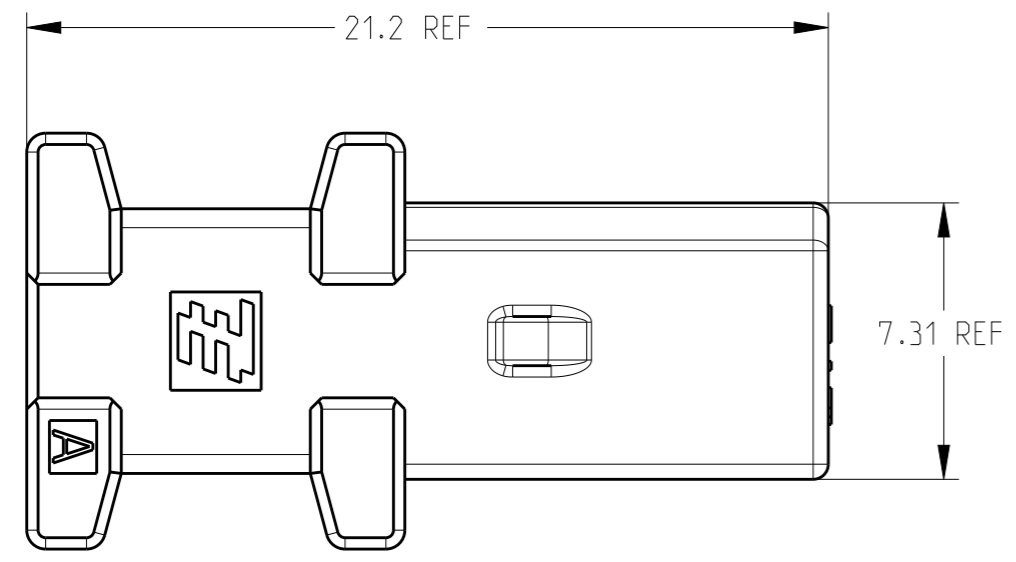
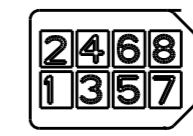


THIS DRAWING IS UNPUBLISHED. RELEASED FOR PUBLICATION 20
 © COPYRIGHT 20 BY - ALL RIGHTS RESERVED.

REVISIONS					
P	LTR	DESCRIPTION	DATE	DWN	APVD
	B	REVISED	01JUN2015	T.S	N.Y



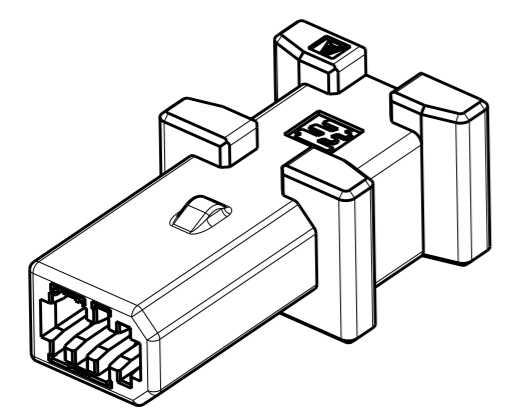
WIREING SCHMATIC



PIN NO.

NOTES:

1. GENERAL TOLERANCE: ± 0.3 .
2. CAN NOT BE MATED WITH CABLE.
3. THE PACKAGE OF 1971153-1 REFER TO FGPI-1971153-1
 THE PACKAGE OF 1971153-2 REFER TO FGPI-1971153-2



QTY	QTY REQD PER ASSY	PARTS LIST	PART NAME	ITEM NO		
-	-	1	1	POLYAMID OF GLASS FIBER PLASTIC UL94V-0	HOUSING	2
-	-	1	1	COPPER ALLOY UNDER ALL SURFACE Ni PLATING 1.27 um MIN. CONTACT AREA Au Plating 0.3 um MIN.	CONTACT	1
-	-	-	-	MATERIAL/FINISH		

S08-037
PROJECT NO.

QTY REQD PER ASSY
-2 1971053-1

THIS DRAWING IS A CONTROLLED DOCUMENT.		DWN 25JUN2008 SAMUEL SUN		
DIMENSIONS: mm		CHK 26JUN2008 ROCK LV		
TOLERANCES UNLESS OTHERWISE SPECIFIED:		APVD 27JUN2008 JULIAN ZHOU	NAME ASSEMBLY INDUSTRIAL MINI I/O BY-PASS CONNECTOR	
0 PLC \pm		PRODUCT SPEC 108-106021	SIZE CAGE CODE DRAWING NO RESTRICTED TO	
1 PLC ± 0.5		APPLICATION SPEC	A3 00779 C=1971153	
2 PLC ± 0.13		WEIGHT 1.3g	SCALE 5:1 SHEET 1 OF 1 REV B	
3 PLC ± 0.013		Customer Drawing		
4 PLC ± 0.0001				
ANGLES \pm				
MATERIAL				
FINISH				

单击下面可查看定价，库存，交付和生命周期等信息

[>>TE Connectivity\(泰科\)](#)